

Pressure Switch (S)

A compact integrated pressure switch can be easily installed and facilitates the pressure detection of the line.



Specifications

Fluid	Air
Proof pressure	1.0MPa
Maximum operating pressure	0.7MPa
Set pressure range (off)	0.1 to 0.4MPa
Differential	0.08MPa
Ambient and fluid temperature	-5 to 60°C (with no freezing)

Switch characteristics

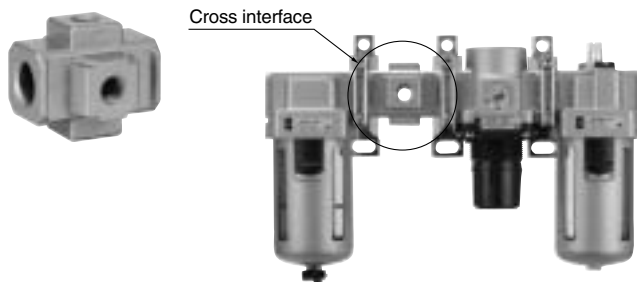
Contact point configuration	1a
Maximum contact point capacity	2VA(AC), 2W(DC)
Operating voltage: AC, DC	100V or less
Maximum operating current	AC, DC12V to 24V: 50mA AC, DC48V: 40mA AC, DC100V: 20mA

Cross Interface (C)

M5 x 0.8, 1/8, 1/4, 3/8, 1/2

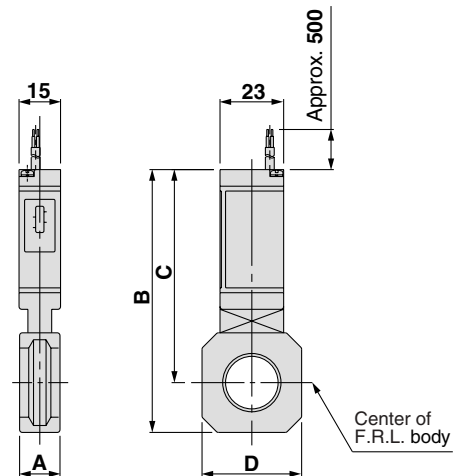
Pipings are possible in all 4 directions.

IN/OUT ports are not machined for threads. Contact SMC if threaded (machined) ports are required.



Cautions in Mounting

- When mounting a cross interface directly on the IN side of the lubricator, be sure to use a series AKM check valve between the lubricator and cross interface.
- Factory mounting of a cross interface on the AC model is available as a special order.



Model	A	B	C	D	Applicable model
IS1000M-20	11	76	66	28	AC20□
IS1000M-30	13	86	72	30	AC25□, AC30□
IS1000M-40	15	95	77	36	AC40□
IS1000M-50	17	99	79	44	AC40□-06
IS1000M-60	22	92.5	68.5	53	AC50□, AC55□, AC60□

Note) Separate interfaces are required for modular unit.

How to Order

IS1000M-30 □

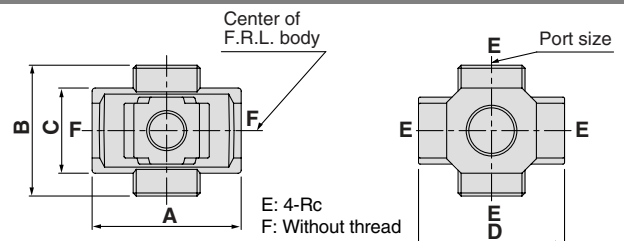
Pressure switch
Body size

20	For AC20
30	For AC25, AC30
40	For AC40-02 to 04
50	For AC40-06
60	For AC50, AC55, AC60

Accessories

X201	Lead wire length: 3m
X202	Regulating pressure range: 0.1 to 0.6MPa
X207	MPa/PSI Dual scale
X215	Lead wire length: 3m; Regulating pressure range: 0.1 to 0.6MPa

This product is for overseas use only according to the new Measurement Law. (The SI unit type is provided for use in Japan.)



Model	Port size	A	B	C	D	Applicable model
Y14-M5	M5	23	16	14	25	AC10□
Y24-□01	1/8	40	40	22	40	AC20□
Y24-□02	1/4					
Y34-□01	1/8	49	43	28	48	AC25□, AC30□
Y34-□02	1/4					
Y44-□02	1/4	60	48	36	54	AC40□
Y44-□03	3/8					
Y54-□03	3/8	72	62	40	62	AC40□-06
Y54-□04	1/2					

Notes) □ in the model numbers indicates a thread type. No indication is necessary for Rc; however, indicate N for NPT, and F for G.

• If threaded ports are required, they are available as a special order. Contact SMC.