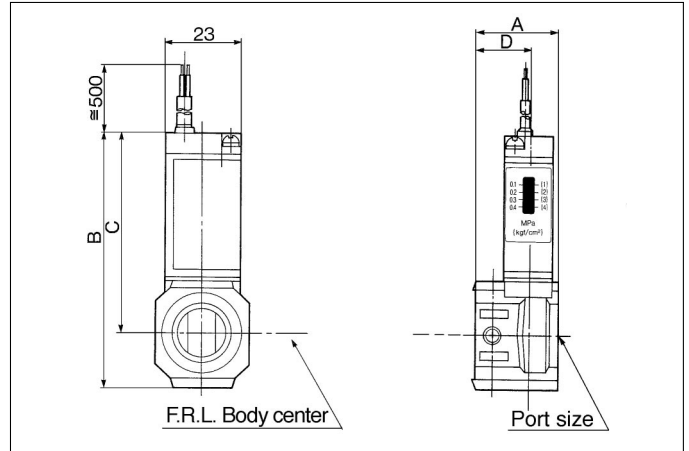


Pressure Switch with Piping Adapter



Specifications

| | |
|-------------------------------|-----------------------------|
| Fluid | Air |
| Proof pressure | 1.0MPa |
| Max. operating pressure | 0.7MPa |
| Set pressure range (off) | 0.1 to 0.4MPa |
| Differential | 0.08MPa |
| Ambient and fluid temperature | 5 to 60°C (No condensation) |

Switch Characteristics

| | |
|-----------------------------|--|
| Contact point structure | 1a |
| Max. contact point capacity | 2V AC/2W DC |
| Voltage AC, DC | 12V, 24V, 48V, 100V |
| Max. operating current | AC, 12V to 24V DC: 50mA AC, 48V DC: 40mA AC, 100V DC: 20mA |

| Model (1) | Port size | A | B | C | D | Applicable model |
|---------------|-----------|----|----|----|------|--|
| IS1000E-2□01Y | 1/8 | 28 | 73 | 62 | 18.5 | AC2000, AC2010, AC2020 AC2030, AC2040 AW2000 |
| IS1000E-2□02Y | 1/4 | | | | | |
| IS1000E-2□03Y | 3/8 | | | | | |
| IS1000E-3□02Y | 1/4 | 26 | 80 | 63 | 16.5 | AC2500, AC2520, AC2530 AC3000, AC3010, AC3020 AC3030, AC3040 AW3000, AW3050 |
| IS1000E-3□03Y | 3/8 | | | | | |
| IS1000E-3□04Y | 1/2 | 40 | 80 | 63 | 17.5 | AC4000, AC4010, AC4020 AC4030, AC4040 AW4000, AW4050 (2) |
| IS1000E-4□02Y | 1/4 | 33 | 87 | 66 | 17.5 | |
| IS1000E-4□03Y | 3/8 | | | | | |
| IS1000E-4□04Y | 1/2 | 50 | 87 | 66 | 17.5 | |
| IS1000E-4□06Y | 3/4 | | | | | |

Note1) □ in the part number indicate a connecting thread. Use nothing for Rc(PT), N for NPT and F for G(PF).

Note2) Can NOT be mounted on "AC40□0-06" and "AW40□0-06".

*With retainer, O ring and bolt.

**Consult SMC when mounting the pressure switch on "AC40□0-06" and "AW40□0-06".

*For more information, refer to p.3.0-0.

How to Order

IS1000E- 3 □ 03 YL □

Pressure switch with piping adapter

Body size

| | |
|---|---------------------|
| 2 | For AC2000 |
| 3 | For AC2500, AC3000 |
| 4 | For AC4000-02 to 04 |

Thread

| | |
|---|--------|
| — | Rc(PT) |
| N | NPT |
| F | G(PF) |

Options

| | |
|------|---|
| X201 | Length of lead wire: 3m |
| X202 | Setting pressure range: 0.1 to 0.6MPa |
| X250 | Reverse mounting (Left side mounting style) |

Attachment

| | |
|----|------------------------------------|
| — | Without attachment |
| Y | With attachment |
| YL | With attachment and L type bracket |
| YT | With attachment and T type bracket |

Piping adapter port size

| | |
|----|-----|
| 01 | 1/8 |
| 02 | 1/4 |
| 03 | 3/8 |
| 04 | 1/2 |
| 06 | 3/4 |

Attachments for IS1000E

| Pressure switch applicable model No. | Y type standard | YL type with L type bracket | YT type with T type bracket |
|--------------------------------------|-----------------|-----------------------------|-----------------------------|
| IS1000E-201 to 203 | Y20E | Y20LE | Y20TE |
| IS1000E-302 to 304 | Y30E | Y30LE | Y30TE |
| IS1000E-402 to 406 | Y40E | Y40LE | Y40TE |

AC

AV

AU

AF

AR

IR

VEX

AW

AMR

AWM

AWD

ITV

VBA

VE

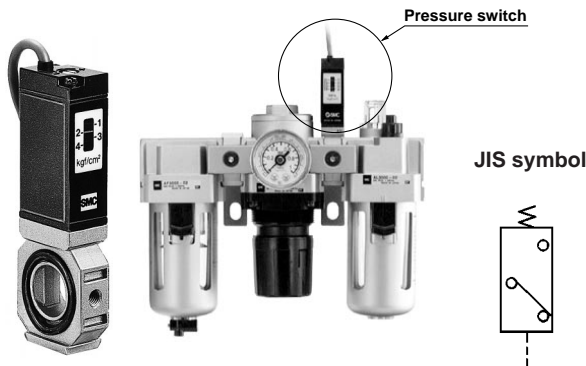
VY

G

AL

Pressure Switch: (S)

Compact pressure switch can be mounted easily.
Makes it easier to detect pressure in lines.



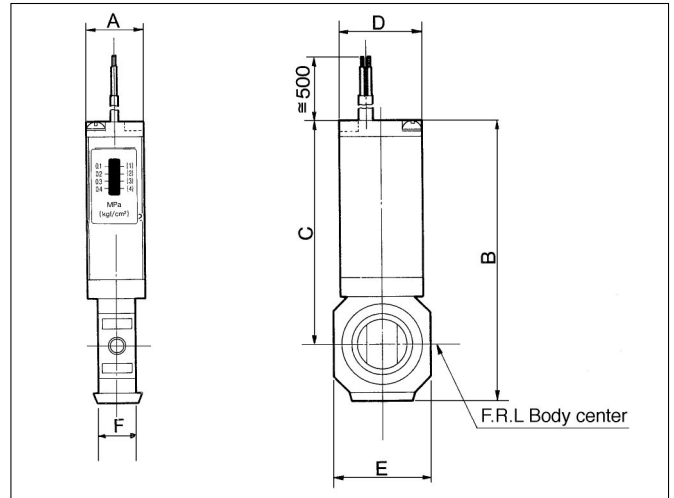
Specifications

| | |
|-------------------------------|----------------------------|
| Fluid | Air |
| Proof pressure | 1.0MPa |
| Max. operating pressure | 0.7MPa |
| Set pressure range (off) | 0.1 to 0.4MPa |
| Differential | 0.08MPa |
| Ambient and fluid temperature | 5 to 60°C(No condensation) |

Switch Characteristics

| | |
|-----------------------------|--|
| Contact point structure | 1a |
| Max. contact point capacity | 2V AC/2W DC |
| Voltage AC, DC | 12V, 24V, 48V, 100V |
| Max. operating current | AC, 12V to 24V DC: 50mA AC, 48V DC: 40mA AC, 100V DC: 20mA |

*For more information, refer to SMC
Pressure switch catalog. (Catalog No.E824)



| Model | A | B | C | D | E | F | Applicable model |
|------------|----|------|------|----|----|----|--|
| IS1000M-2Y | 15 | 73.5 | 62.6 | 23 | 28 | 10 | AC2000, AC2020, AC2030 |
| IS1000M-3Y | 15 | 82 | 64.9 | 23 | 29 | 11 | AC2500, AC2520, AC2530 AC3000, AC3020, AC3030 |
| IS1000M-4Y | 15 | 88.7 | 67.6 | 23 | 35 | 14 | AC4000, AC4020, AC4030 |
| IS1000M-5Y | 15 | 91 | 68 | 23 | 44 | 14 | AC4000-06, AC4020-06 AC4030-06 |
| IS1000M-6Y | 15 | 100 | 72.5 | 23 | 54 | 15 | AC5000, AC5500, AC6000 AC5020, AC5520, AC6020 |

Caution on Assembling

Attachment for pressure switch can be installed at the IN/OUT side of AF, AR, AL, AFM and AFD. Mounting at the IN/OUT side of AW and upward handle of AR is not possible.

How to Order

IS1000M - 4 Y T - []

Pressure switch

Body size

| | |
|---|---------------------|
| 2 | For AC2000 |
| 3 | For AC2500, AC3000 |
| 4 | For AC4000-02 to 04 |
| 5 | For AC4000-06 |
| 6 | For AC5000, AC6000 |

Options

| | |
|------|-----------------------------------|
| X201 | Length of lead wire: 3m |
| X202 | Set pressure range: 0.1 to 0.6MPa |

Attachment

| | |
|----|------------------------------------|
| — | Without attachment |
| Y | With attachment |
| YL | With attachment and L type bracket |
| YT | With attachment and T type bracket |

Attachments for IS1000M

| Pressure switch applicable model No. | Y type standard | YL type with L type bracket | YT type with T type bracket |
|--------------------------------------|-----------------|-----------------------------|-----------------------------|
| IS1000M-2 | Y20M | Y20LM | Y20TM |
| IS1000M-3 | Y30M | Y30LM | Y30TM |
| IS1000M-4 | Y40M | Y40LM | Y40TM |
| IS1000M-5 | Y50M | Y50LM | Y50TM |
| IS1000M-6 | Y60M | Y60LM | Y60TM |

AC

AV

AU

AF

AR

IR

VEX

AW

AMR

AWM

AWD

ITV

VBA

VE

VY

G

AL