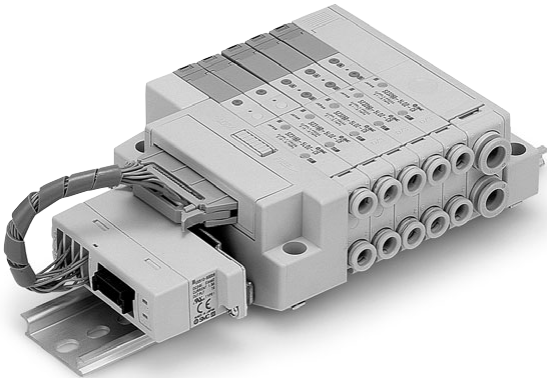
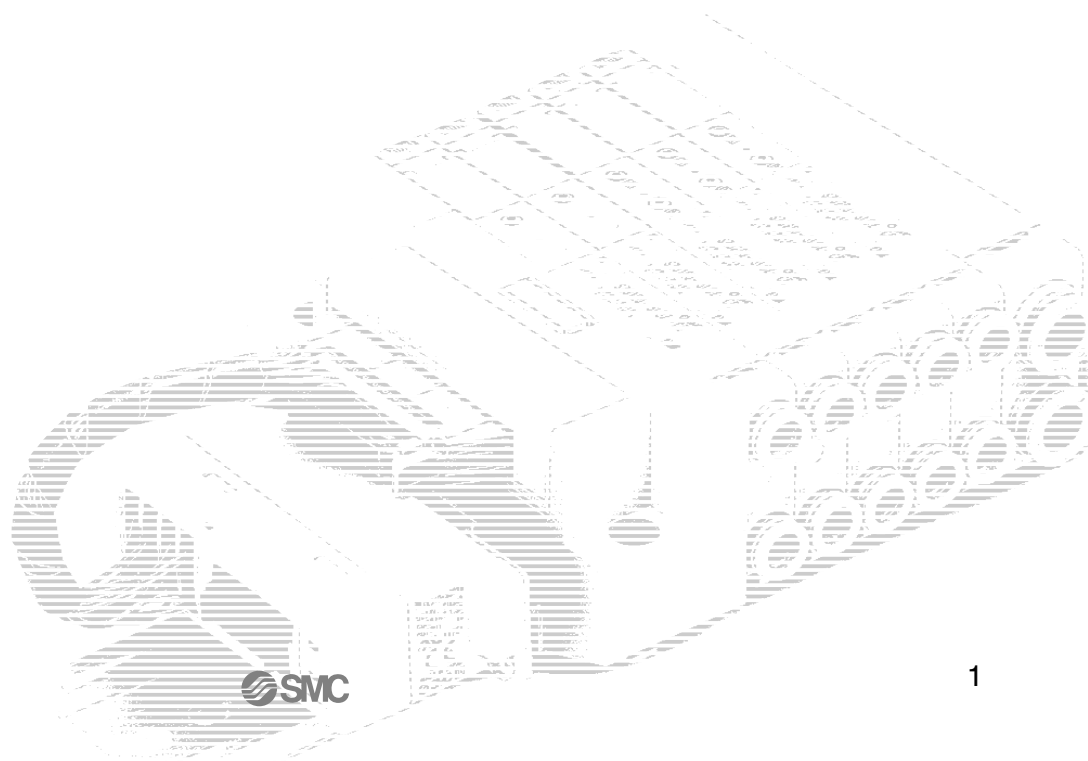


Serial Wiring 5 Port Solenoid Valve for EX510 Series SZ

05-E523 Issued: January, 2006
 D-KS P-120(KS)



Series	Sonic conductance: C [dm ³ /(s·bar)] (Representative value)	Applicable cylinder size (Standard)	A, B port size				
			Piping with One-touch fitting				Port piping
			Metric size		Inch size		
			ø4	ø6	ø5/32"	ø1/4"	M5
SZ3000	0.77	ø32	●	●	●	●	●



Type 60S6B

EX510 Serial Wiring

Series **SZ3000** Plug-in Type

Cassette Type Manifold

How to Order Manifold

SS5Z3-60S6B [] D 05 U [] [] [] [] (-Q)

SI unit COM.

Nil	+ COM.
N	- COM.

Unit mounting position

D	D side
---	--------

Stations

Symbol	No. of stations	Note
02	2 stations	Double wiring specifications ^{Note1)}
⋮	⋮	
08	8 stations	Specified layout ^{Note2)} (Up to 16 solenoids possible.)
02	2 stations	
⋮	⋮	
16	16 stations	

* This also includes the number of blanking plate assemblies.

Note 1) Double wiring specification: Use of a single solenoid will result in an unused control signal. If this is not desired, order with a specified layout.

Note 2) Specified layout: Indicate wiring specifications on a manifold specification sheet. (Note that double, 3 position and 4 position valves cannot be used where single solenoid wiring has been specified.)

CE Mark

Option

When a DIN rail longer than the specified station is required, specify a rail longer than the standard length. (16 stations at maximum)

SUP/EXH block piping specification

Nil	Straight
L	Elbow fitting (Upward)
B	Elbow fitting (Downward)

Pilot specification

Nil	Internal pilot specification
R	External pilot specification

SUP/EXH block mounting positions

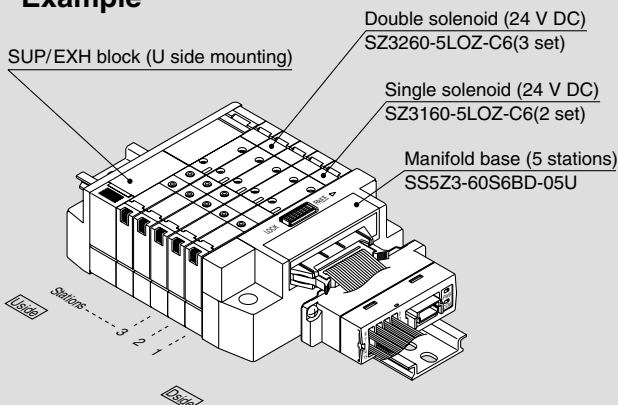
U	U side	2 to 10 stations
D	D side	
B	B side	2 to 16 stations
M	Special specification*	

* For special specifications, indicate separately by the manifold specification sheet.

Note) A total of up to 3 SUP/EXH blocks can be mounted. Please contact SMC if 4 or more will be mounted.

How to Order Valve Manifold Assembly (Example)

Example



SS5Z3-60S6BD-05U.....1 set (Type 60S6B, 5 stations manifold base part no.)

* SZ3160-5LOZ-C6.....2 sets (Single solenoid part no.)

* SZ3260-5LOZ-C6.....3 sets (Double solenoid part no.)

→ The asterisk denotes the symbol for assembly. Prefix it to the part nos. of the solenoid valve, etc.

- Valve arrangement is counted from the D side.
- Add the valve and option number under the manifold base part number. In the case of complex arrangement, specify them on the manifold specification sheet.

How to Order Valve

5 port solenoid valve **SZ3** **1** **60** **5** **LOZ** **C6**(-Q)

Type of actuation

1	2 position single
2	2 position double
3	3 position closed center
4	3 position exhaust center
5	3 position pressure center
A	4 position dual 3 port valve (N.C./N.C.)
B	4 position dual 3 port valve (N.O./N.O.)
C	4 position dual 3 port valve (N.C./N.O.)

Pilot specification

Nil	Internal pilot
R	External pilot

* External pilot specifications is not available for 4 position dual 3 port valve.

Back pressure check valve

Nil	None
K	Built-in

* Back pressure check valve is not available for 3 position solenoid valves.

Rated voltage: 24 V DC

Common specification

Nil	+ COM.
N	- COM.

Note) When using on a SI unit common specification negative common, be sure to match with the valve common specifications.

Switch Specification

Nil	Without switch
J	With switch

Manual override

Nil	Non-locking push type
D	Push-turn locking slotted type

A, B port size Thread piping

Symbol	Port size
M5	M5 x 0.8

One-touch fitting

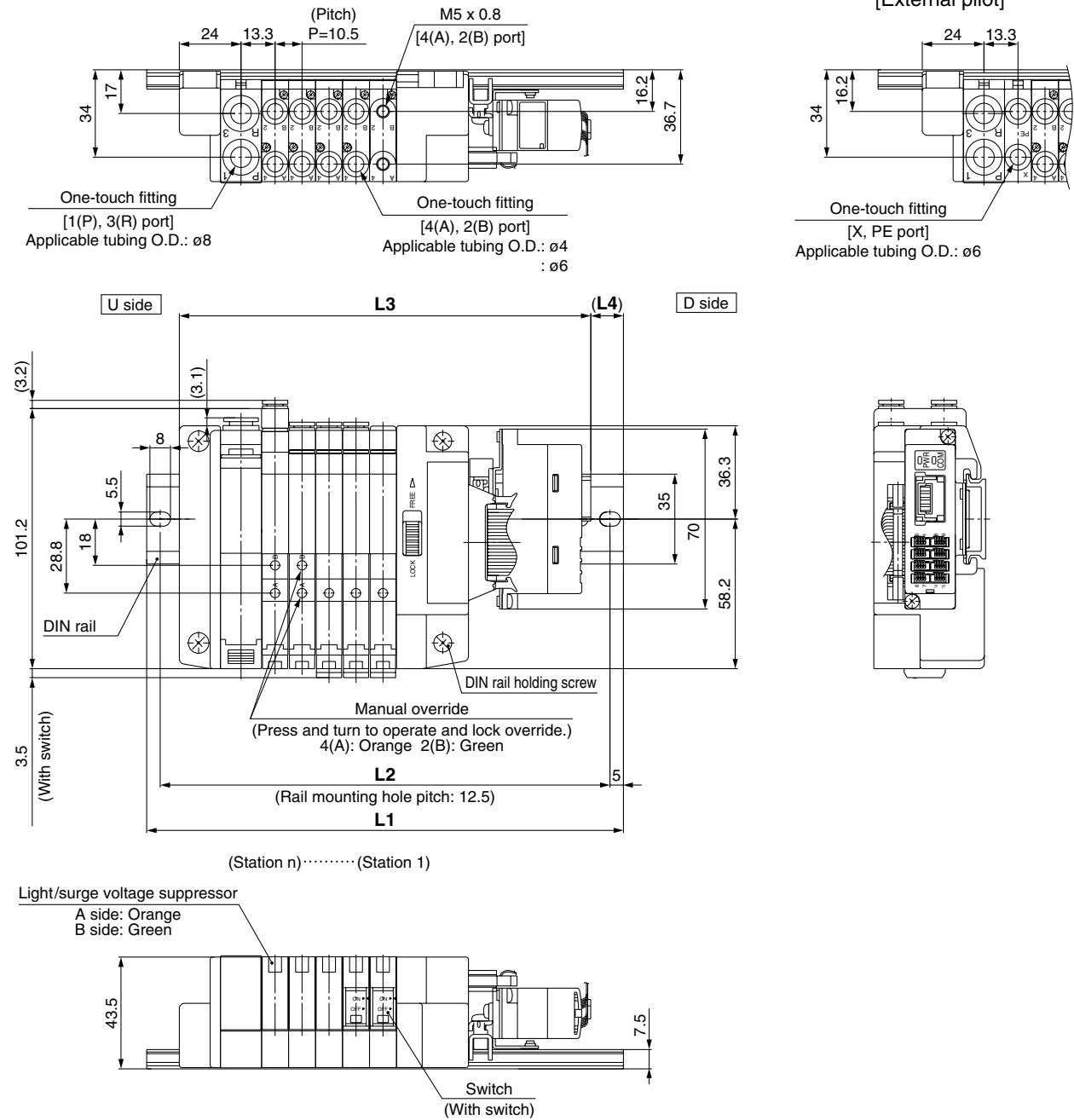
Symbol	Port size
C4	One-touch fitting for ø4
C6	One-touch fitting for ø6
L4	One-touch fitting assembly for ø4 (Upward)
L6	One-touch fitting assembly for ø6 (Upward)
B4	One-touch fitting assembly for ø4 (Downward)
B6	One-touch fitting assembly for ø6 (Downward)

CE Mark

Series SZ3000

Dimensions

SS5Z3-60S6B D-Stations U-



Note) For manifold dimensions with elbow fitting, please refer to SZ3000 series catalog.

Internal pilot manifold L: Dimensions

		n: Station							
L \ n	2	3	4	5	6	7	8	9	10
L1	160.5	173	185.5	185.5	198	210.5	223	235.5	248
L2	150	162.5	175	175	187.5	200	212.5	225	237.5
L3	128.6	139.1	149.6	160.1	170.6	181.1	191.6	202.1	212.6
L4	16	17	18	12.5	13.5	14.5	15.5	16.5	17.5

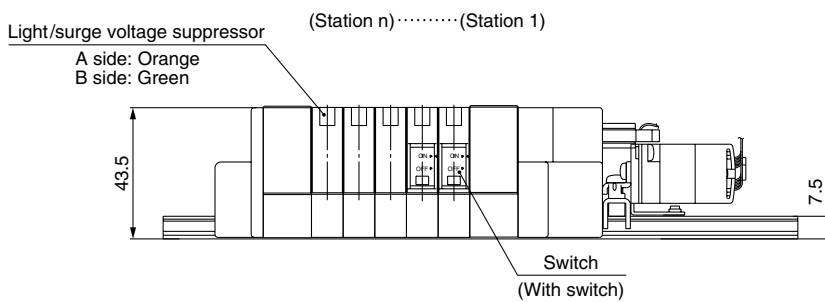
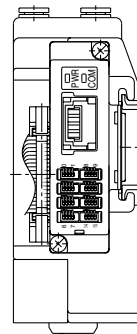
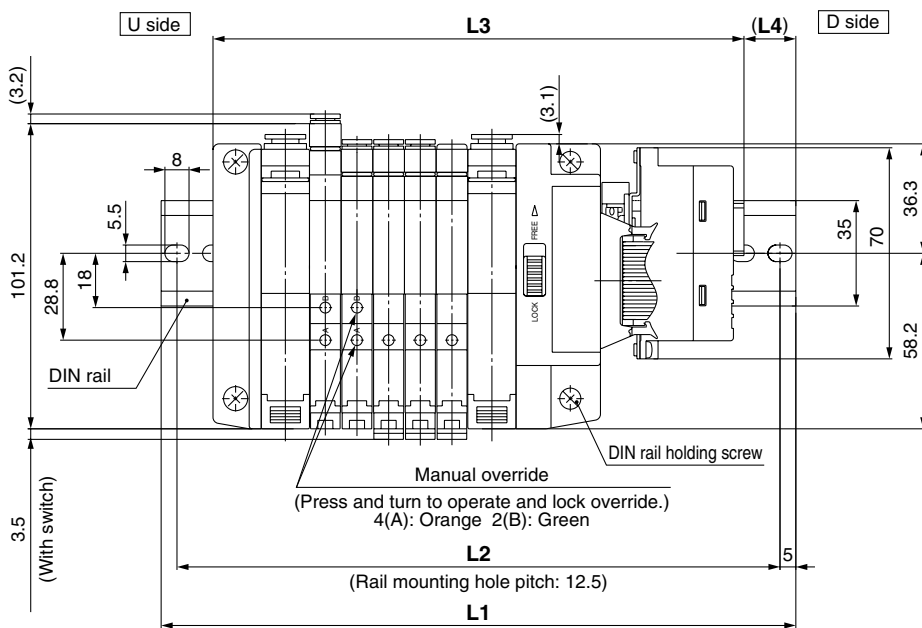
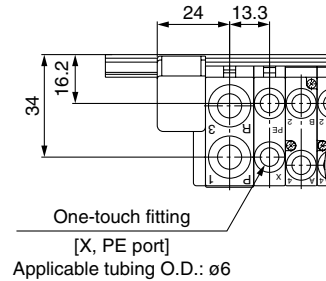
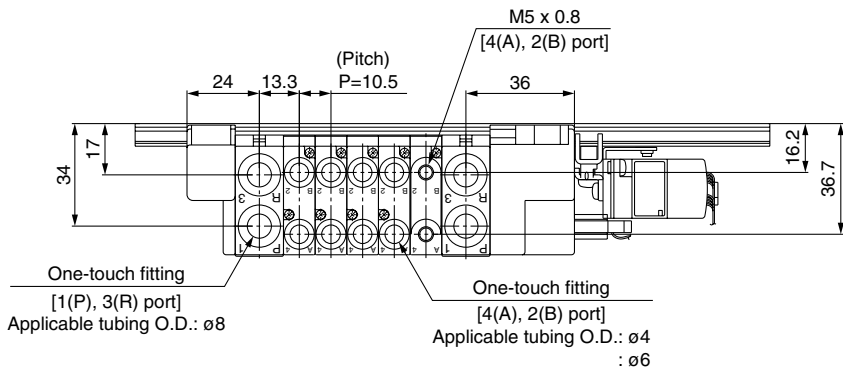
External pilot manifold L: Dimensions

		n: Station							
L \ n	2	3	4	5	6	7	8	9	10
L1	173	185.5	185.5	198	210.5	223	235.5	248	260.5
L2	162.5	175	175	187.5	200	212.5	225	237.5	250
L3	139.1	149.6	160.1	170.6	181.1	191.6	202.1	212.6	223.1
L4	17	18	12.5	13.5	14.5	15.5	16.5	17.5	18.5

Dimensions

SS5Z3-60S6B □ D-Stations B-□

[External pilot]



Note) For manifold dimensions with elbow fitting, please refer to SZ3000 series catalog.

Internal pilot manifold L: Dimensions

		n: Station													
L \ n	2	3	4	5	6	7	8	9	10	11	12	13	14	15	16
L1	173	185.5	198	210.5	223	223	235.5	248	260.5	273	285.5	298	298	310.5	323
L2	162.5	175	187.5	200	212.5	212.5	225	237.5	250	262.5	275	287.5	287.5	300	312.5
L3	144.6	155.1	165.6	176.1	186.6	197.1	207.6	218.1	228.6	239.1	249.6	260.1	270.6	281.1	291.6
L4	14	15	16	17	18	13	14	15	16	17	18	19	13.5	14.5	15.5

External pilot manifold L: Dimensions

		n: Station													
L \ n	2	3	4	5	6	7	8	9	10	11	12	13	14	15	16
L1	185.5	198	210.5	223	223	235.5	248	260.5	273	285.5	298	298	310.5	323	335.5
L2	175	187.5	200	212.5	212.5	225	237.5	250	262.5	275	287.5	287.5	300	312.5	325
L3	155.1	165.6	176.1	186.6	197.1	207.6	218.1	228.6	239.1	249.6	260.1	270.6	281.1	291.6	302.1
L4	15	16	17	18	13	14	15	16	17	18	19	13.5	14.5	15.5	16.5

