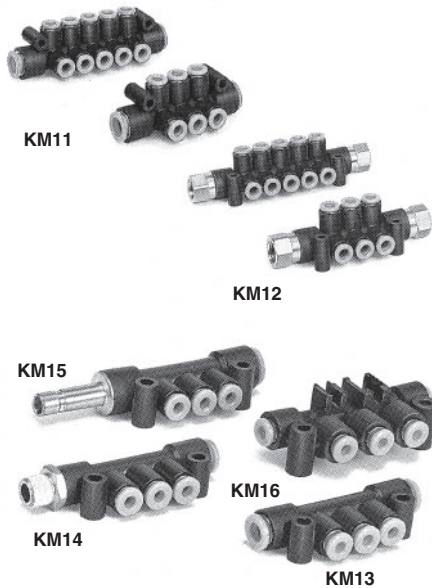


One-touch Fittings Manifold

Series *KM*

Compact piping.
Many varieties (40 types)
available.
One-touch fittings give
the most efficient
operation.



Model

Model	Porting		Number of Port A	Port B size	Port A size		
	Port A	Port B			ø4	ø6	ø8
KM11	One-touch fitting	One-touch fitting	6, 10	ø8	●		
				ø10		●	
				ø12			●
KM12	One-touch fitting	Rc(PT)female thread	6, 10	Rc(PT) 1/4	●	●	
				Rc(PT) 3/8			●
KM13	One-touch fitting	One-touch fitting	3	ø6	●		
				ø8	●	●	
				ø10		●	●
KM14	One-touch fitting	One-touch fitting R(PT)male thread	3	ø6, R(PT) 1/8	●		
				ø6, R(PT) 1/4	●		
				ø6, R(PT) 3/8	●		
				ø8, R(PT) 1/8	●	●	
				ø8, R(PT) 1/4	●	●	
				ø8, R(PT) 3/8	●	●	
				ø10, R(PT) 1/4		●	●
				ø10, R(PT) 3/8		●	●
KM15	One-touch fitting	One-touch fitting Rod	3	ø6	●		
				ø8	●	●	
				ø10		●	●
KM16	One-touch fitting	One-touch fitting	3	ø4	●		
				ø6	●	●	

Applicable Tubing

Tube material	Nylon, Soft nylon, Polyurethane
Tube O.D.	ø4, ø6, ø8, ø10, ø12

Specifications

Model	KM11	KM12	KM13	KM14	KM15	KM16
Fluid	Air, Water ⁽¹⁾					
Max. operating pressure	-100 kPa to 1.0 MPa					
Proof pressure	3.0 MPa					
Ambient and fluid temperature	-5 to 60 °C, Water: 0 to 40 °C (No freezing)					
Thread	—	JIS B0203 (Taper thread)	—	JIS B0203 (Taper thread)	—	—
Accessories	None	Hexagon socket head blank plug with sealant: 1 pc.	None	None	None	None



Note1) Applicable for general industry water. Consult SMC if using for other kinds of fluid.
Surge pressure must be under the max. operating pressure.

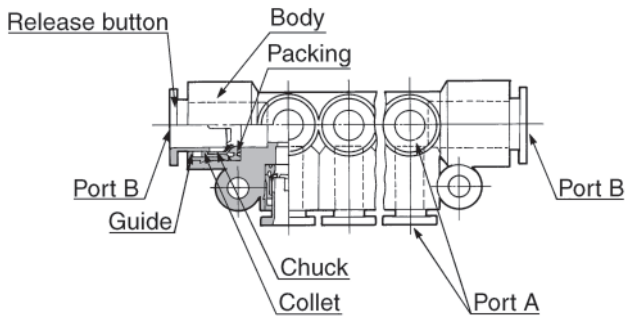
Component Materials

Model	KM11	KM12	KM13	KM14	KM15	KM16
Body	PBT					
Stud	—	C3604BD	—	C3604BD	C3604BD-PBT	—
Chuck	Stainless steel (SUS304)					
Guide	C3604BD, Stainless steel (SUS304)					
Collet, Release button	Polyacetal (POM)					
Packing, O ring	NBR					

Series KM

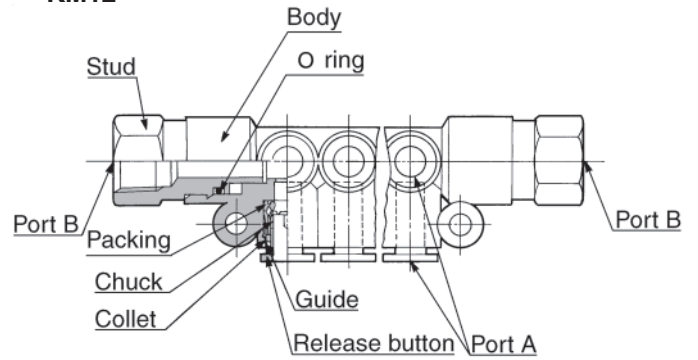
Construction

KM11



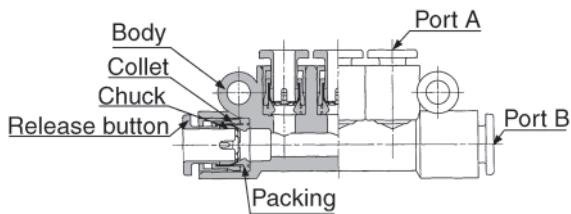
Port A: One-touch fitting
Port B: One-touch fitting

KM12



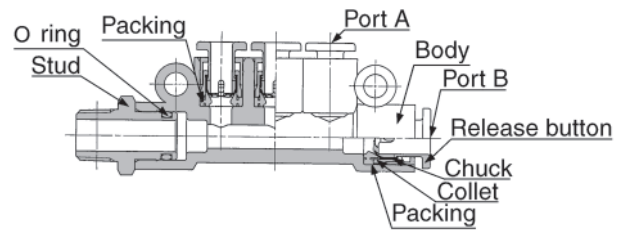
Port A: One-touch fitting
Port B: Rc(PT) female thread

KM13



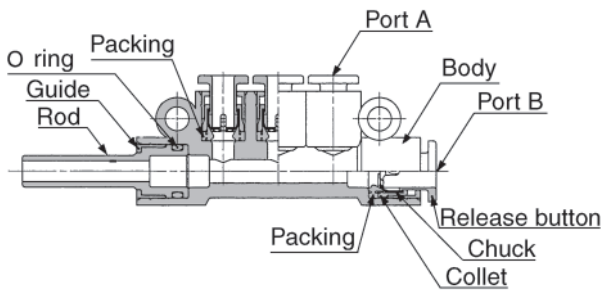
Port A: One-touch fitting
Port B: One-touch fitting

KM14



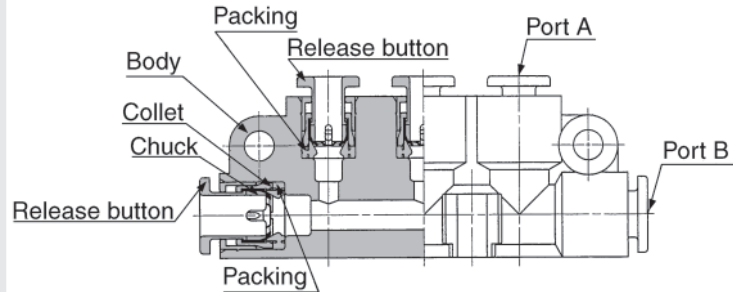
Port A: One-touch fitting
Port B: One-touch fitting, R(PT) male thread

KM15



Port A: One-touch fitting
Port B: One-touch fitting stud

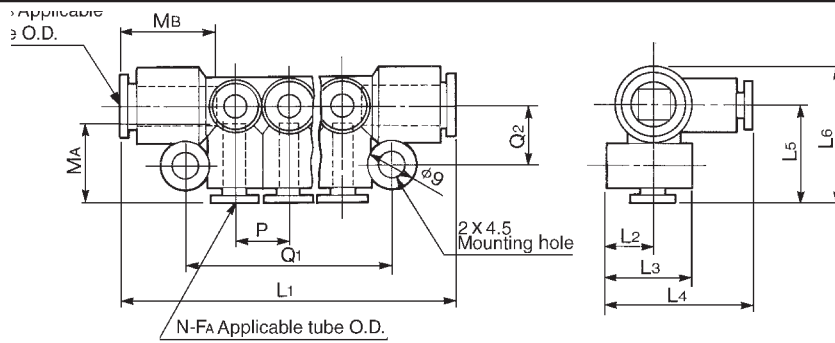
KM16



Port A: One-touch fitting
Port B: One-touch fitting

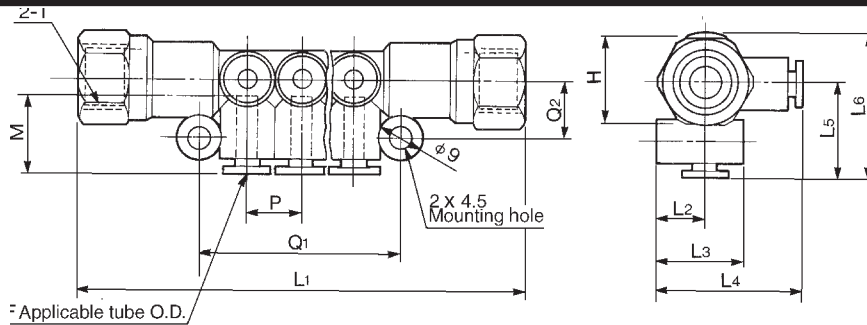
One-touch Fittings Manifold Series *KM*

KM11



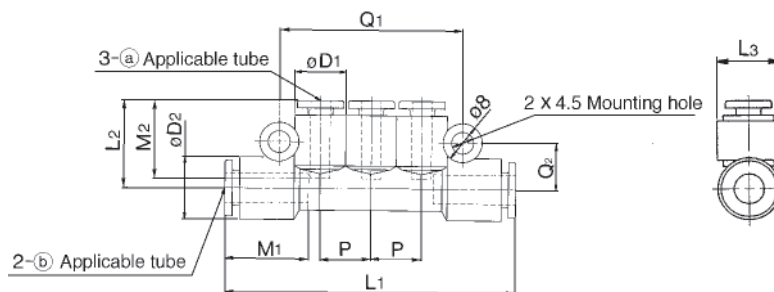
Tube O.D. (mm)		Part No.	N	L1	L2	L3	L4	L5	L6	P	Q1	Q2	MA	MB	Port B min. port size	Weight (g)
FA	FB															
4	8	KM11-04-08-6	6	65	10	18	29.5	19.5	27	10.6	40	12	16	18.5	6	19
		KM11-04-08-10	10	86	10	18	29.5	19.5	27	10.6	61.5	12	16	18.5	6	26
6	10	KM11-06-10-6	6	76	10	19.5	31.5	21.5	31	13	47	13.5	17	21	7.5	29
		KM11-06-10-10	10	102	10	19.5	31.5	21.5	31	13	73	13.5	17	21	7.5	39
8	12	KM11-08-12-6	6	85	11.5	22.5	35.5	24	34.5	15.5	55	14.7	18.5	22	9	41
		KM11-08-12-10	10	116	11.5	22.5	35.5	24	34.5	15.5	86	14.7	18.5	22	9	57

KM12



Tube O.D. F (mm)	Thread Rc(PT) T	Part No.	N	H (Hex.)	L1	L2	L3	L4	L5	L6	P	Q1	Q2	M	Port B min. port size	Weight (g)
4	1/4															
		KM12-04-02-10	10	17	110	10	18	29.5	19.5	29	10.6	61.5	12	16	6	72
6	1/4	KM12-06-02-6	6	17	99	10	19.5	31.5	21.5	31	13	47	13.5	17	7.5	81
		KM12-06-02-10	10	17	125	10	19.5	31.5	21.5	31	13	73	13.5	17	7.5	91
8	3/8	KM12-08-03-6	6	19	108	11.5	22.5	35.5	24	34.5	15.5	55	14.7	18.5	9	97
		KM12-08-03-10	10	19	139	11.5	22.5	35.5	24	34.5	15.5	86	14.7	18.5	9	112

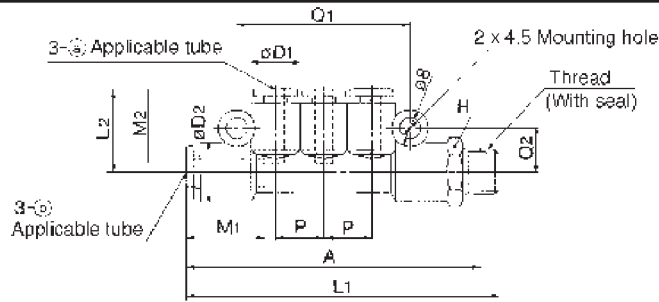
KM13



Tube O.D. (mm)		Part No.	øD1	øD2	L1	L2	L3	P	Q1	Q2	M1	M2	Port B min. port size	Weight (g)
a	b													
4	6	KM13-04-06-3	10.4	12.8	60	18	13	10.4	38.2	9.9	17	16	4.5	11
	8	KM13-04-08-3		15.2	63.5	19	15.5						11.1	18.5
6	8	KM13-06-08-3	12.8	15.2	70.5	20	15.5	12.8	45.4	11.1	18.5	17	6	16
	10	KM13-06-10-3		18.5	74.5	21	19						12.8	21
8	10	KM13-08-10-3	15.2	18.5	81.5	22.5	19	15.2	52.6	12.8	21	18.5	7.5	26

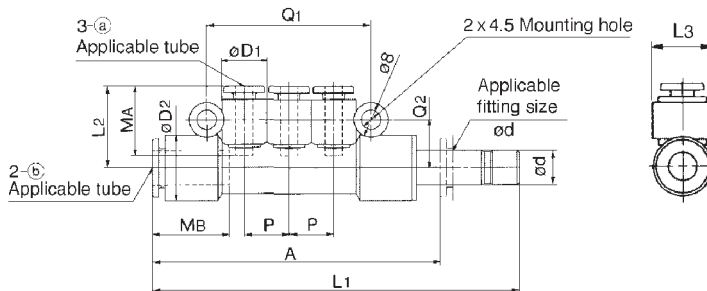
Series KM

KM14



Tube O.D. (mm)		Thread R(PT)	Part No.	H (Hex.)	øD1	øD2	L1	L2	L3	P	A	Q1	Q2	M1	M2	Port B min. port size	Weight (g)	
a	b																	
4	6	1/8	KM14-04-06-01S-3	13	10.4	12.8	67.1	18	13	10.4	64	38.2	9.9	17	16	4.5	18	
		1/4	KM14-04-06-02S-3	14													71	25
		3/8	KM14-04-06-03S-3	17													72.4	38
4	8	1/8	KM14-04-08-01S-3	17	10.4	15.2	72.6	19	15.5	10.4	69.5	38.2	11.1	18.5	16	6	30	
		1/4	KM14-04-08-02S-3														76	38
		3/8	KM14-04-08-03S-3														76.4	38
6	8	1/8	KM14-06-08-01S-3	17	12.8	15.2	79.1	20	15.5	12.8	76.5	45.4	11.1	18.5	17	6	31	
		1/4	KM14-06-08-02S-3														82.5	39
		3/8	KM14-06-08-03S-3														82.9	39
6	10	1/4	KM14-06-10-02S-3	19	12.8	18.5	87	21	19	12.8	81.5	45.4	12.8	21	17	7.5	43	
		3/8	KM14-06-10-03S-3														87.4	44
		1/2	KM14-06-10-04S-3														91.1	66
8	10	1/4	KM14-08-10-02S-3	19	15.2	18.5	93.5	22.5	19	15.2	88	52.6	12.8	21	18.5	7.5	47	
		3/8	KM14-08-10-03S-3														93.9	70
		1/2	KM14-08-10-04S-3														97.6	70

KM15



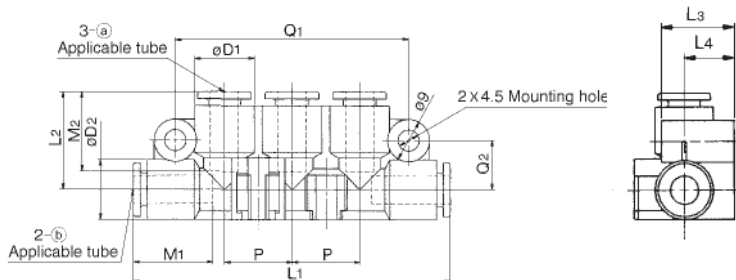
Precautions for the use with One-touch fittings

⚠ Caution

Refer to "Air Fittings & Tubing Precautions" for the details of installation/removal of One-touch fittings.

Tube O.D. (mm)		Fitting size ød	Part No.	øD1	øD2	L1	L2	L3	P	Q1	Q2	A	MA	MB	Port B min. port size	Weight (g)
a	b															
4	6	6	KM15-04-06-3	10.4	12.8	78.5	18	13	10.4	38.2	9.9	61.5	16	17	4.5	12
	8	8	KM15-04-08-3													15.2
6	8	8	KM15-06-08-3	12.8	15.2	92.5	20	15.5	12.8	45.4	11.1	74	17	18.5	6	25
	10	10	KM15-06-10-3													18.5
8	10	10	KM15-08-10-3	15.2	18.5	105	22.5	19	15.2	52.6	12.8	85	18.5	21	7.5	41

KM16



Tube O.D. (mm)		Part No.	øD1	øD2	L1	L2	L3	L4	P	Q1	Q2	M1	M2	Port B min. port size	Weight (g)			
a	b																	
4	4	KM16-04-04-3	12.8	12.8	68	20.9	16	11	14.5	50	10.5	16	16	3	18			
4	6	KM16-04-06-3													17	16	4.5	16
6	6	KM16-06-06-3													17	17	4.5	15