

! Contact our sales office for delivery dates and prices as this is a special model.

Specialized Product

Point to Group
P.G. information

Clean One-touch Fittings/Different Diameter Union "Y"

KPU04-06-X562/KPU06-08-X562

Features

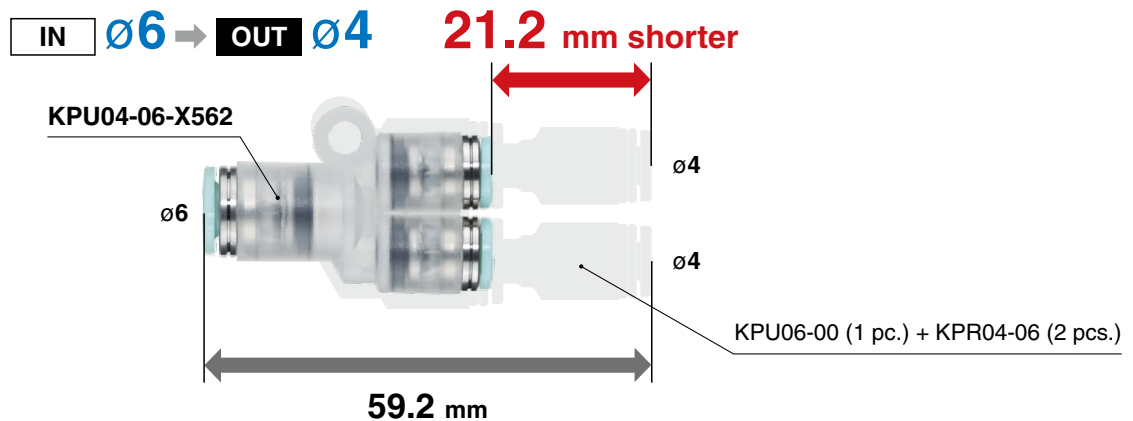
Contributes to space saving and a reduction in installation labor

	Reduction	IN side → OUT side
KPU04-06-X562	21.2 mm (38 mm ← 59.2 mm)	ø6 → ø4
KPU06-08-X562	23.5 mm (43 mm ← 66.5 mm)	ø8 → ø6



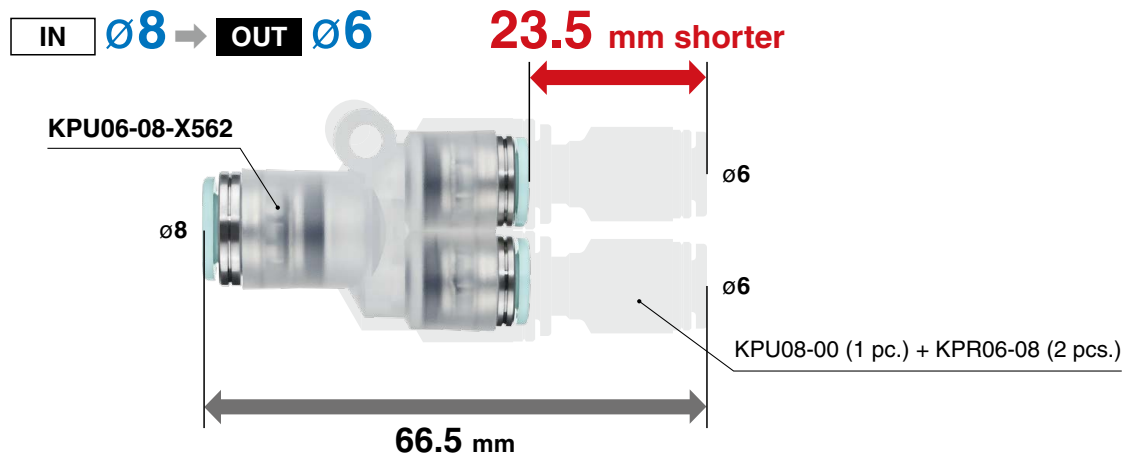
KPU04-06-X562

[Actual size]



KPU06-08-X562

[Actual size]



Caution

To ensure the safest possible operation of this product, please be sure to thoroughly read the "Safety Instructions" in our "Best Pneumatics" catalog before use.

Specifications

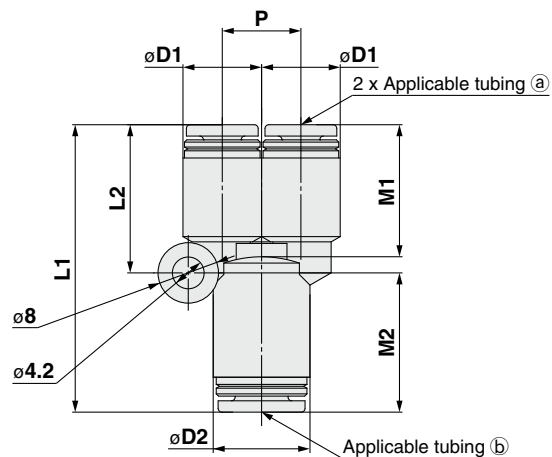
Cleanliness class (ISO class)	Class 3*1
Applicable tubing materials*2	PFA, Polyolefin, Soft polyolefin, Polyurethane, FEP, Nylon, Soft nylon
Applicable tubing O.D.	ø4, ø6, ø8
Fluid	Air, Nitrogen gas, Water, DI water (Pure water)*3
Maximum operating pressure (20°C)	1 MPa*4
Operating vacuum pressure	-100 kPa
Ambient and fluid temperatures	-20°C to 80°C (No freezing)
Material	PP, Stainless steel 304, EPDM (Fluoro coated)*5

- *1 Refer to particle generation classifications.
- *2 When using FEP, nylon, soft nylon, or tubing of another material not compatible with the clean series, please note that the level of cleanliness will be inferior. Due to the softness of polyurethane tubing, it may fold when being inserted. Hold the end of the tubing and insert it all the way in.
- *3 The surge pressure must be equal to or less than the maximum operating pressure.
- *4 Observe the lesser value of the maximum operating pressure between the fitting and tubing.
For the operating pressure curve, refer to the KP series in the **Web Catalog**.
- *5 The durability of EPDM with respect to mineral oils is inferior, which makes it unsuitable for piping in general pneumatic equipment.
- * Do not use the fittings with a leak tester or for vacuum retention because they are not guaranteed for zero leakage.

Dimensions

[mm]

Different diameter union “Y” KPU□□-□□-X562



Model	Applicable tubing O.D.		L1	L2	øD1	øD2	M1	M2	P
	(a)	(b)							
KPU04-06-X562	ø4	ø6	38	19.6	10.4	12.8	17	18.5	10.4
KPU06-08-X562	ø6	ø8	43	21.8	12.8	15.2	18.5	20.5	12.8