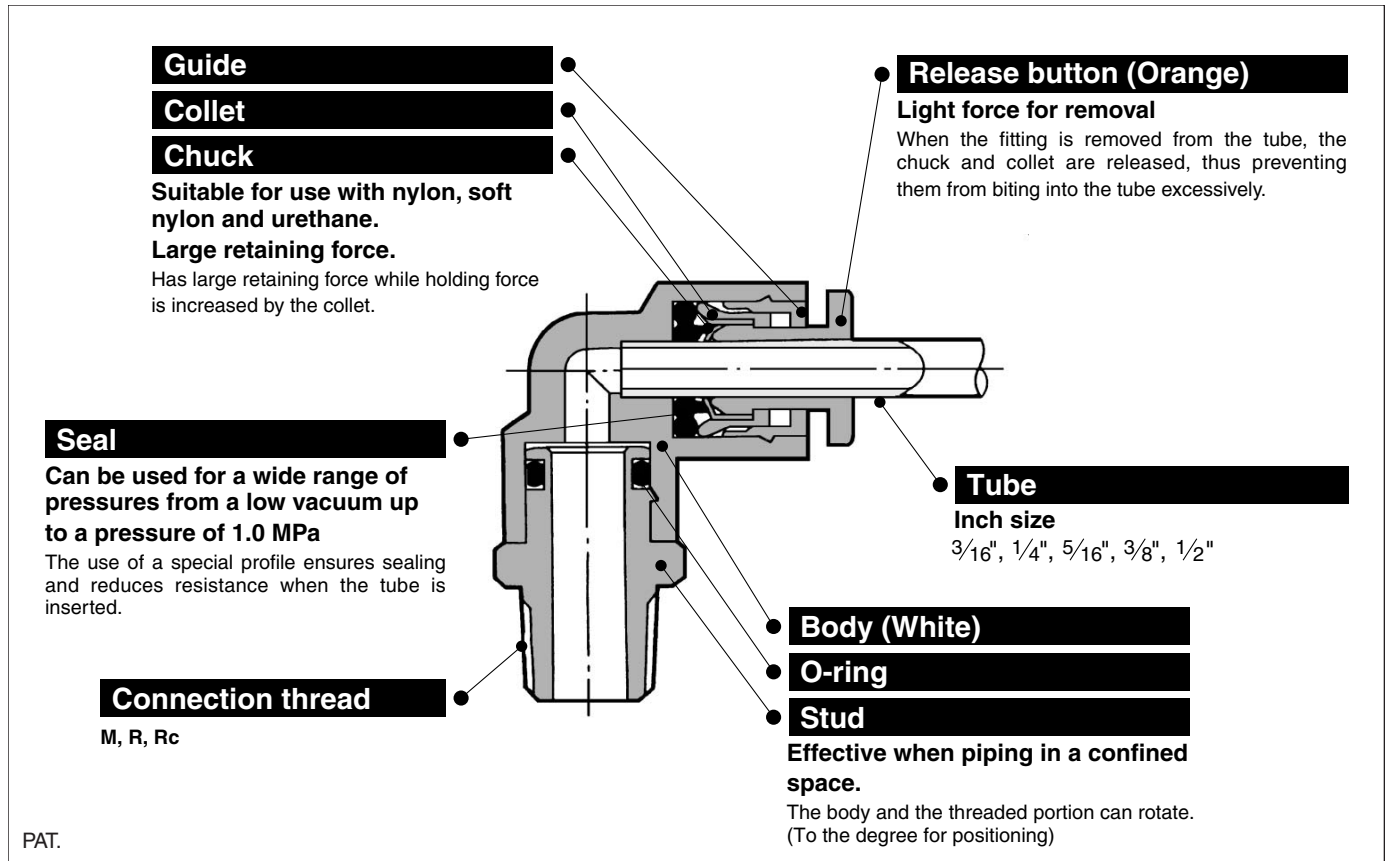


Inch-size One-touch Fittings

Series KQ2

Applicable Tubing: Inch Size
Connection Thread: M, R, Rc




Applicable Tubing

Tubing material	Nylon, Soft nylon, Polyurethane
Tubing O.D. (inch)	ø3/16, ø1/4, ø5/16, ø3/8, ø1/2






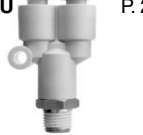










Specifications

Fluid		Air/Water ^{Note)}
Maximum operating pressure		1.0 MPa
Proof pressure		3.0 MPa
Ambient and fluid temperature		-5 to 60°C (Water: 0 to 40°C) (No freezing)
Thread	Mounting section	JIS B 0203 (Taper thread for piping)
	Nut section	JIS B 0211, Class 2 (Metric fine thread)
Thread seal		With seal

 Note) Applicable for general industrial water. Please consult with SMC if using for other kinds of fluid.
Also, the surge pressure must be under the maximum operating pressure.

Principal Parts Material

Body	C3604BD, PBT, PP
Stud	C3604BD (Thread portion)
Chuck	Stainless steel 304
Guide	Stainless steel 304, C3604BD, POM
Collet	POM
Release button	POM
Seal, O-ring	NBR
Gasket	Stainless steel 304, NBR

Model		
Male connector KQ2H P. 26 	Extended male elbow KQ2W P. 27 	Plug-in "Y" KQ2U P. 29 
Straight union KQ2H P. 26 	Male branch tee KQ2T P. 27 	Branch "Y" KQ2U P. 29 
Male elbow KQ2L P. 26 	Union tee KQ2T P. 28 	Bulkhead union KQ2E P. 29 
Union elbow KQ2L P. 26 	Male run tee KQ2Y P. 28 	Bulkhead connector KQ2E P. 29 
Plug-in elbow KQ2L P. 27 	Plug-in reducer KQ2R P. 28 	Gasket/Seal for M5 thread Part no. M-5G2 Material Stainless steel 304, NBR
Reducer elbow KQ2L P. 27 	Union "Y" KQ2U P. 28 	

- K
- M
- H
- D
- MS
- T
- VMG

How to Order

One-touch fittings

KQ2

H

05

02

S

• With thread seal

Nil	Without seal
S	With thread seal

• Model

H	Male connector *
	Straight union
L	Male elbow *
	Union elbow
	Plug-in elbow
	Reducer elbow
W	Extended male elbow *
	Male branch tee *
T	Union tee
	Male run tee *
Y	Union "Y"
	Plug-in "Y"
U	Branch "Y" *
	R
E	
	Bulkhead connector

*mark: With seal is available.

• Applicable tubing O.D.

01	1/8
05	3/16
07	1/4
09	5/16
11	3/8
13	1/2

• Port size

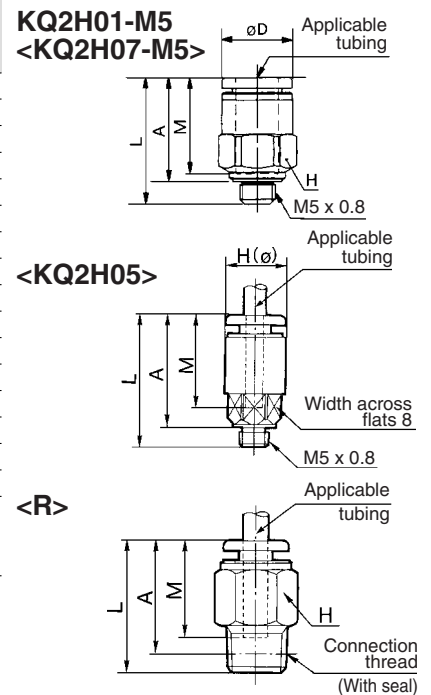
M5	M5 x 0.8
01	1/8
02	1/4
03	3/8
04	1/2
00	Same dia. tubing
99	Same dia. rod

Series KQ2

Male Connector: KQ2H



Applicable tubing O.D. (inch)	Connection thread M R	Model	H (Width across flats)	Note) ϕD	L	A *	M	Min. port size	Weight (g)	
1/8	M5 x 0.8	KQ2H01-M5	7	—	16.7	13.6	12.7	2.5	2	
	1/8	KQ2H01-01S	10	—	22	18	15.5		9	
	1/4	KQ2H01-02S	14	—	19.5	13.5			16	
3/16	M5 x 0.8	KQ2H05-M5	10.7	—	24	20.5	16.5	2.5	6	
	1/8	KQ2H05-01S	11	—	22	18		3.5	11	
	1/4	KQ2H05-02S	14	—	21	15			12	
1/4	M5 x 0.8	KQ2H07-M5	11	10.3	18.4	15.3	13.6	2.5	3.3	
	1/8	KQ2H07-01S	14	—	22.5	18.5		17	4.6	10
	1/4	KQ2H07-02S		—	23	17				15
5/16	1/8	KQ2H09-01S	14	—	28	24	18.5	6	15	
	1/4	KQ2H09-02S		—	26.5	20.5			16	
	3/8	KQ2H09-03S	17	—	22.5	15.5			24	
3/8	1/4	KQ2H11-02S	17	—	33.5	27.5	21	7	31	
	3/8	KQ2H11-03S		—	29	22.5			29	
	1/2	KQ2H11-04S	22	—	27	19			46	
1/2	1/4	KQ2H13-02S	22	—	34.5	28.5	22	9	44	
	3/8	KQ2H13-03S		—	33.5	27			44	
	1/2	KQ2H13-04S	—	30	22	44				

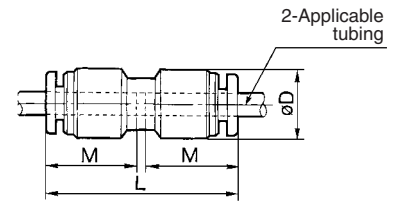


* Reference dimensions after R thread installation.
Note) ϕD : Max. diameter

Straight Union: KQ2H



Applicable tubing O.D. (inch)	Model	Note) ϕD	L	M	Min. port size	Weight (g)
3/16	KQ2H05-00	11.4	34	16.5	3.5	4
1/4	KQ2H07-00	13.2	34.5	17	4.6	4
5/16	KQ2H09-00	15.2	38.5	18.5	6	6
3/8	KQ2H11-00	17.9	42.5	21	7	11
1/2	KQ2H13-00	21.7	44.5	22	9.6	16

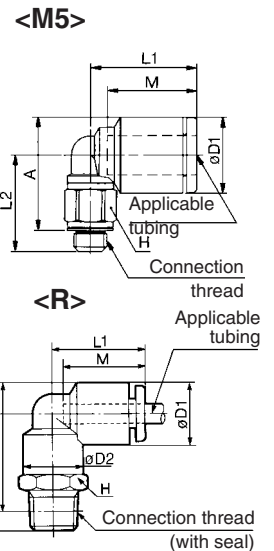


Note) ϕD : Max. diameter

Male Elbow: KQ2L



Applicable tubing O.D. (inch)	Connection thread R	Model	H (Width across flats)	Note) $\phi D1$	$\phi D2$	L1	L2	A *	M	Min. port size	Weight (g)
1/8	M5 x 0.8	KQ2L01-M5	7	8.4	—	15.3	13.2	14.3	12.7	2.3	2.5
	1/8	KQ2L05-01S	10	11.4	10	19.5	22.5	24	16.5	3.5	10
3/16	KQ2L05-02S	14	26.5				26	19			
1/4	M5 x 0.8	KQ2L07-M5	7	12	—	16.1	15.1	18	13.6	2.3	3.2
	1/8	KQ2L07-01S	10	13.2	10	20.5	23.5	26	17	4.6	10
	1/4	KQ2L07-02S	14				27.5	28			20
	3/8	KQ2L07-03S	17				29.5	29.5			32
5/16	KQ2L09-01S	12	15.2				12	23.5			24.5
1/4	KQ2L09-02S	14		28.5	30	20					
3/8	KQ2L09-03S	17		30.5	31.5	28					
3/8	1/4	KQ2L11-02S	17	17.9	17	25.5	29.5	32.5	21	7	23
	3/8	KQ2L11-03S					31.5	34			33
	1/2	KQ2L11-04S	22				35.5	36.5			59
1/2	1/4	KQ2L13-02S	17	21.7	17	28	31.5	36.5	22	9	28
	3/8	KQ2L13-03S					33.5	38.5			36
	1/2	KQ2L13-04S	22				37.5	40			62

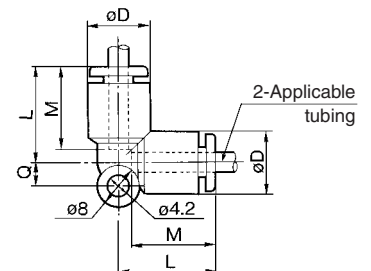


* Reference dimensions after R thread installation.
Note) $\phi D1$: Max. diameter

Union Elbow: KQ2L



Applicable tubing O.D. (inch)	Model	Note) ϕD	L	Q	M	Min. port size	Weight (g)
3/16	KQ2L05-00	11.4	19.5	4.8	16.5	3.5	5
1/4	KQ2L07-00	13.2	20.5	5.3	17	4.6	5
5/16	KQ2L09-00	15.2	23	6	18.5	6	7
3/8	KQ2L11-00	17.9	26	6.6	21	7	13
1/2	KQ2L13-00	21.7	29	7.8	22	9.6	18



Note) ϕD : Max. diameter

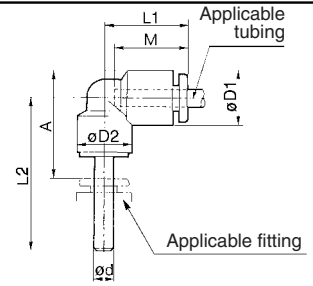
Inch-size One-touch Fittings Series KQ2

Plug-in Elbow: KQ2L



Applicable tubing O.D. (inch)	Applicable fitting size ϕd (inch)	Model	Note) $\phi D1$	$\phi D2$	L1	L2	A	M	Min. port size	Weight (g)
3/16	3/16	KQ2L05-99	11.4	10	19.5	34	23.5	16.5	3.5	7
1/4	1/4	KQ2L07-99	13.2	10	20	27.5	17.5	17	4.6	8
5/16	5/16	KQ2L09-99	15.2	12	22.5	31.5	21	18.5	6	6
3/8	3/8	KQ2L11-99	17.9	13.6	25	35	23	21	7	19
1/2	1/2	KQ2L13-99	21.7	17	28	44.5	34	22	9.6	27

Note) $\phi D1$: Max. diameter

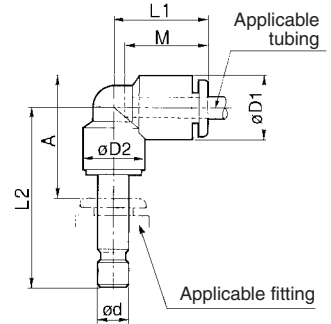


Reducer Elbow: KQ2L



Applicable tubing O.D. (inch)	Applicable fitting size ϕd (inch)	Model	Note) $\phi D1$	$\phi D2$	L1	L2	A	M	Min. port size	Weight (g)
3/16	1/4	KQ2L05-07	11.4	10	19.5	34.5	23.5	16.5	3.5	8
	5/16	KQ2L05-09				35.5	23			11
1/4	5/16	KQ2L07-09	13.2	10	20.5	36.5	24.5	17	4.6	12
	3/8	KQ2L07-11				37.5	23.5			17
5/16	3/8	KQ2L09-11	15.2	12	23.5	40.5	27.5	18.5	6	17
	1/2	KQ2L09-13				41.5	27.5			30
3/8	1/2	KQ2L11-13	17.9	17	25.5	43	30	21	7	25

Note) $\phi D1$: Max. diameter

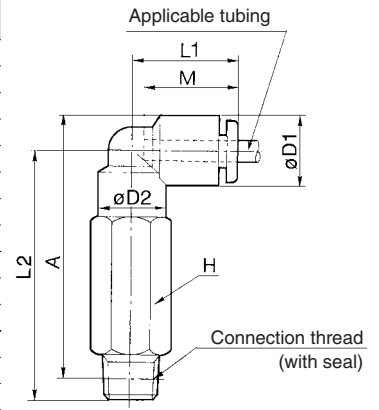


Extended Male Elbow: KQ2W



Applicable tubing O.D. (inch)	Connection thread R	Model	H (Width across flats)	Note) $\phi D1$	$\phi D2$	L1	L2	A *	M	Min. port size	Weight (g)
3/16	1/8	KQ2W05-01S	10	11.4	10	19.5	38	40	16.5	3.5	19
	1/4	KQ2W05-02S	14				44	43.5			41
1/4	1/8	KQ2W07-01S	10	13.2	10	20.5	40.5	43	17	4.6	20
	1/4	KQ2W07-02S	14				46.5	47			45
	3/8	KQ2W07-03S	17				48.5	49			69
5/16	1/8	KQ2W09-01S	12	15.2	12	23.5	43.5	47	18.5	6	30
	1/4	KQ2W09-02S	14				49.5	51			47
	3/8	KQ2W09-03S	17				51.5	53			74
3/8	1/4	KQ2W11-02S	17	17.9	17	25.5	56	59	21	7	69
	3/8	KQ2W11-03S	17				58	61			76
	1/2	KQ2W11-04S	22				64.5	65.5			147
1/2	1/4	KQ2W13-02S	17	21.7	17	28	58	63	22	9.6	72
	3/8	KQ2W13-03S	17				60	64.5			78
	1/2	KQ2W13-04S	22				66.5	69			149

* Reference dimensions after R thread installation.
Note) $\phi D1$: Max. diameter

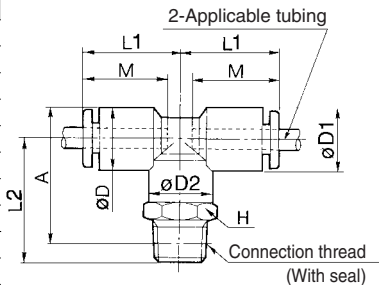


Male Branch Tee: KQ2T



Applicable tubing O.D. (inch)	Connection thread R	Model	H (Width across flats)	Note) $\phi D1$	$\phi D2$	L1	L2	A *	M	Min. port size	Weight (g)
3/16	1/8	KQ2T05-01S	10	11.4	10	19.5	22.5	24	16.5	3.5	12
	1/4	KQ2T05-02S	14				26.5	26			21
1/4	1/8	KQ2T07-01S	10	13.2	10	20.5	23.5	26	17	4.6	11
	1/4	KQ2T07-02S	14				27.5	28			21
	3/8	KQ2T07-03S	17				29.5	30			34
5/16	1/8	KQ2T09-01S	12	15.2	12	23	24.5	28	18.5	6	15
	1/4	KQ2T09-02S	14				28.5	30			23
	3/8	KQ2T09-03S	17				30.5	31.5			35
3/8	1/4	KQ2T11-02S	17	17.9	17	25.5	29.5	32.5	21	7	29
	3/8	KQ2T11-03S	17				31.5	34.5			38
	1/2	KQ2T11-04S	22				35.5	36.5			64
1/2	1/4	KQ2T13-02S	17	21.7	17	28	31.5	36.5	22	9.6	34
	3/8	KQ2T13-03S	17				33.5	38.5			43
	1/2	KQ2T13-04S	22				37.5	40			69

* Reference dimensions after R thread installation.
Note) $\phi D1$: Max. diameter



- K
- M
- H
- D
- MS
- T
- VMG

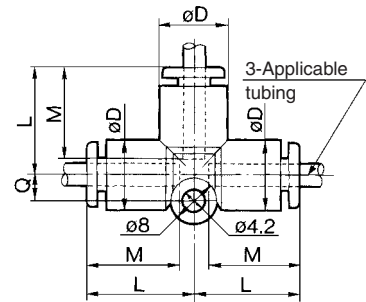
Series KQ2

Union Tee: KQ2T



Applicable tubing O.D. (inch)	Model	Note) ϕD	L	Q	M	Min. port size	Weight (g)
3/16	KQ2T05-00	11.4	19.5	4.8	16.5	3.5	7
1/4	KQ2T07-00	13.2	20.5	5.3	17	4.6	8
5/16	KQ2T09-00	15.2	23	6	18.5	6	11
3/8	KQ2T11-00	17.9	26	6.6	21	7	18
1/2	KQ2T13-00	21.7	29	7.8	22	9.6	26

Note) ϕD : Max. diameter

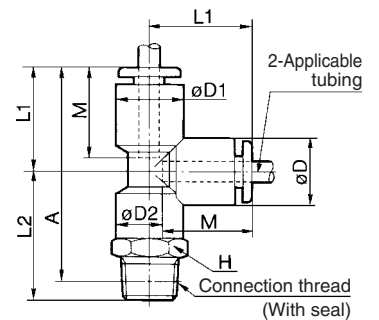


Male Run Tee: KQ2Y



Applicable tubing O.D. (inch)	Connection thread R	Model	H (Width across flats)	Note) $\phi D1$	$\phi D2$	L1	L2	A *	M	Min. port size	Weight (g)
3/16	1/8	KQ2Y05-01S	10	11.4	10	19.5	22.5	38	16.5	3.5	12
	1/4	KQ2Y05-02S	14				26.5	40			21
1/4	1/8	KQ2Y07-01S	10	13.2	10	20.5	23.5	40	17	4.6	11
	1/4	KQ2Y07-02S	14				27.5	42			21
	3/8	KQ2Y07-03S	17				29.5	44			34
5/16	1/8	KQ2Y09-01S	12	15.2	12	23.5	24.5	40	18.5	6	15
	1/4	KQ2Y09-02S	14				28.5	40			23
	3/8	KQ2Y09-03S	17				30.5	48			35
3/8	1/4	KQ2Y11-02S	17	17.9	17	25.5	29.5	49	21	7	29
	3/8	KQ2Y11-03S	17				31.5	51			38
	1/2	KQ2Y11-04S	22				35.5	53			64
1/2	1/4	KQ2Y13-02S	17	21.7	17	28	31.5	53.5	22	9	34
	3/8	KQ2Y13-03S	17				33.5	55.5			43
	1/2	KQ2Y13-04S	22				37.5	57			69

* Reference dimensions after R thread installation.
Note) $\phi D1$: Max. diameter

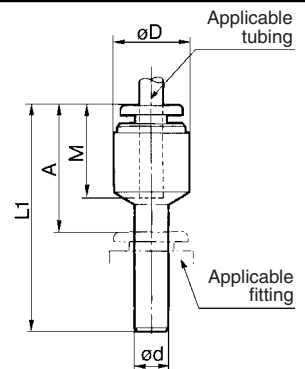


Plug-in Reducer: KQ2R



Applicable tubing O.D. (inch)	Applicable fitting size ϕd (inch)	Model	Note) ϕD	L1	A	M	Min. port size	Weight (g)
3/16	1/4	KQ2R05-07	11.4	34.5	18.5	16.5	3.5	12
	5/16	KQ2R05-09	10.7	36.5	18			14
1/4	5/16	KQ2R07-09	12.5	37	18.5	17	4.6	17
	3/8	KQ2R07-11	13.2	40	19.5			19
5/16	3/8	KQ2R09-11	14	40	19	18.5	6	24
	1/2	KQ2R09-13		41				32
3/8	1/2	KQ2R11-13	17.9	44	22	21	7	32

Note) ϕD : Max. diameter

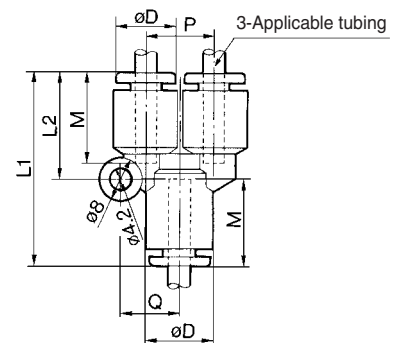


Union "Y": KQ2U



Applicable tubing O.D. (inch)	Model	Note) ϕD	L1	L2	P	Q	M	Min. port size	Weight (g)
3/16	KQ2U05-00	11.4	36.5	20.5	11.4	10.6	16.5	3.5	9
1/4	KQ2U07-00	13.2	38	21.5	13.2	12	17	4.6	9
5/16	KQ2U09-00	15.2	42.5	24.5	15.2	13.7	18.5	6	11

Note) ϕD : Max. diameter



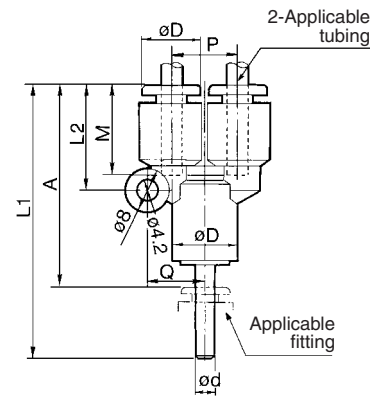
Inch-size One-touch Fittings Series KQ2

Plug-in "Y": KQ2U



Applicable tubing O.D. (inch)	Applicable fitting size ϕd (inch)	Model	Note) ϕD	L1	L2	P	Q	A	M	Min. port size	Weight (g)
3/16	3/16	KQ2U05-99	11.4	56	20.5	11.4	10.6	39.5	16.5	3.5	17
1/4	1/4	KQ2U07-99	13.2	56.5	21.5	13.2	12	39.5	17	4.6	18
5/16	5/16	KQ2U09-99	15.2	64.5	24.5	15.2	13.7	46	18.5	6	21

Note) ϕD : Max. diameter

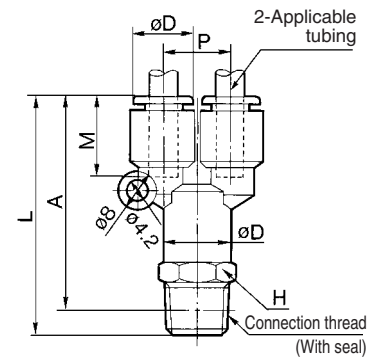


Branch "Y": KQ2U



Applicable tubing O.D. (inch)	Connection thread R	Model	H (Width across flats)	Note) ϕD	L	P	A *	M	Min. port size	Weight (g)
3/16	1/8	KQ2U05-01S	12	11.4	44	11.4	40	16.5	3.5	18
	1/4	KQ2U05-02S	14		48.5		42.5			
1/4	1/8	KQ2U07-01S	14	13.2	46.5	13.2	42.5	17	4.6	19
	1/4	KQ2U07-02S			49.5		45			
	3/8	KQ2U07-03S			51.5		48.5			
5/16	1/8	KQ2U09-01S	17	15.2	52.5	15.2	49.5	18.5	6	21
	1/4	KQ2U09-02S			55.5		50			
	3/8	KQ2U09-03S			56.5		54			
3/8	1/4	KQ2U11-02S	19	17.9	60	17.9	54.5	21	7	42
	3/8	KQ2U11-03S			61		56.5			
	1/2	KQ2U11-04S			64.5		58.5			
1/2	1/4	KQ2U13-02S	22	21.7	64.5	21.7	59	22	9.5	31
	3/8	KQ2U13-03S			65.5		60.5			
	1/2	KQ2U13-04S			68.5					

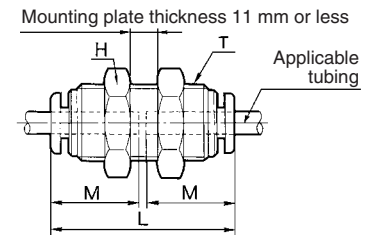
* Reference dimensions after R thread installation.
Note) ϕD : Max. diameter



Bulkhead Union: KQ2E



Applicable tubing O.D. (inch)	Model	T (M)	H (Width across flats)	L	Mounting hole	M	Min. port size	Weight (g)
3/16	KQ2E05-00M	M14 x 1	17	34	15	16.5	3.5	30
1/4	KQ2E07-00M	M14 x 1	17	34.5	15	17	4.6	30
5/16	KQ2E09-00M	M16 x 1	19	38	17	18.5	6	48
3/8	KQ2E11-00M	M20 x 1	24	42.5	21	21	7	62
1/2	KQ2E13-00M	M22 x 1	27	44.5	23	22	9.6	85



Bulkhead Connector: KQ2E



Applicable tubing O.D. (inch)	Connection thread R	Model	T (M)	H1 (Width across flats)	H2 (Width across flats)	L1	L2	M	Min. port size	Mounting hole	Weight (g)
3/16	1/8	KQ2E05-01	M14 x 1	17	17	28	11.5	16.5	3.5	15	30
1/4	1/4	KQ2E07-02	M14 x 1	17	17	32.5	14.5	17	4.6	15	31
5/16	3/8	KQ2E09-03	M16 x 1	19	19	35	15	18.5	6	17	36
3/8	3/8	KQ2E11-03	M20 x 1	22	24	35	14.5	21	7	21	64
	3/8	KQ2E13-03	M22 x 1	24	27	37	14.5	22	9.6	23	78
1/2	1/2	KQ2E13-04	M22 x 1								

