

One-touch Fittings

Series KQ2

Applicable Tubing: Metric Size
Connection Thread: M, R, Rc

How to Order

KQ 2 H 06 01 S

One-touch fittings

Product's color

Symbol	Body	Release button
2	White	Light gray
Nil	Black	Blue

Applicable tubing O.D.

23	ø3.2
04	ø4
06	ø6
08	ø8
10	ø10
12	ø12
16	ø16

Port size/Applicable tubing O.D.

Thread connection	Port size/Applicable tubing O.D.
M5	M5 x 0.8
M6	M6 x 1.0
01	R 1/8, Rc 1/8
02	R 1/4, Rc 1/4
03	R 3/8, Rc 3/8
04	R 1/2, Rc 1/2
00	Same dia. tubing
04	ø4
06	ø6
08	ø8
10	ø10
12	ø12
16	ø16
99	Same dia. rod

Tubing (Rod) connection

(Reducer)
Different dia. tubing

With thread seal

Nil	None
S	With thread seal

Note) Port size with seal: Only
R 1/8
R 1/4
R 3/8
R 1/2

Model

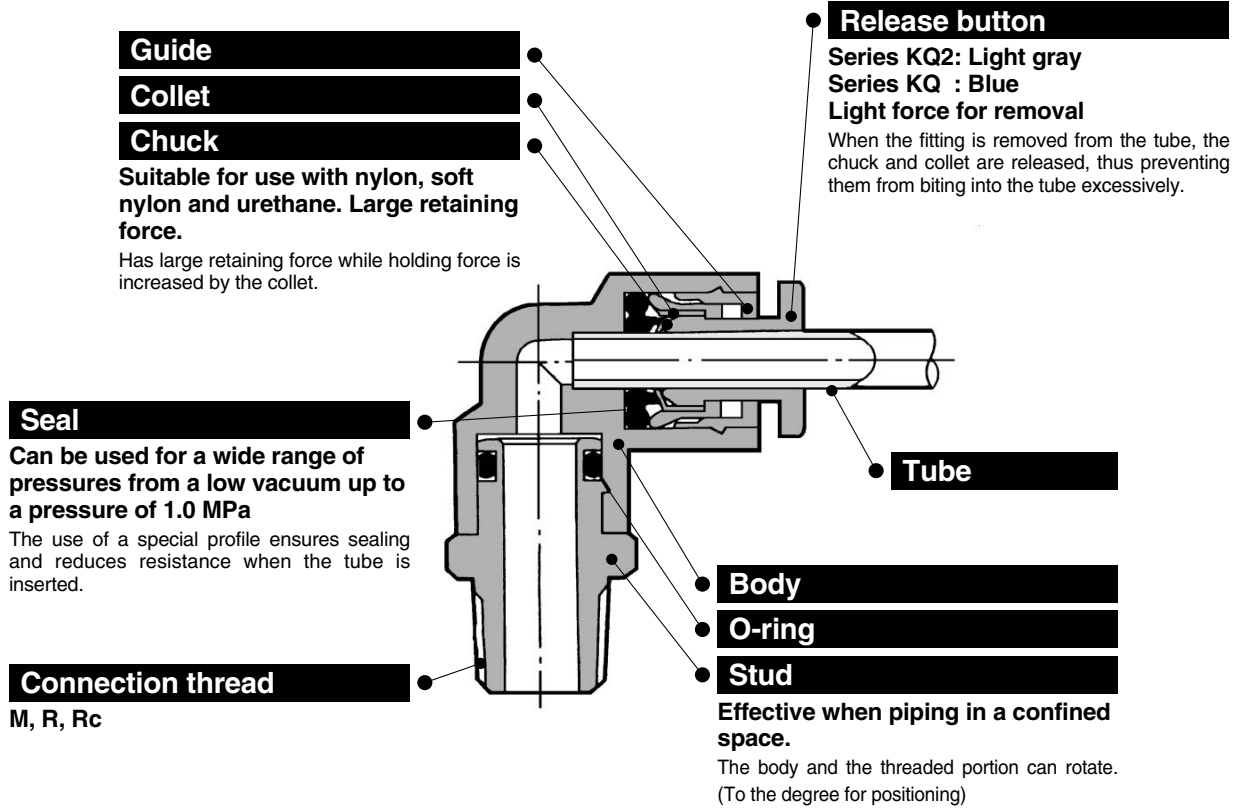
H	Male connector	T	Male branch tee
	Straight union		Union tee
S	Hex. socket head male connector	TW	Different diameter tee * Note)
			Cross*
F	Female connector	TX	Different diameter cross*
L	Male elbow	TY	Different diameter cross*
	Union elbow	Y	Male run tee
	Plug-in elbow	D	Male delta union
	Reducer elbow		Delta union
LU	Male branch connector	U	Branch
	Branch union elbow		Union "Y"
K	45° male elbow	UD	Different dia. union "Y"
V	Universal male elbow		Plug-in "Y"
VS	Hexagon socket head universal male elbow	XD	Delta branch
VF	Universal female elbow		Different dia. double union "Y"
LF	Female elbow	X	Double plug-in "Y"
VD	Double universal male elbow	R	Different diameter plug-in "Y"
VT	Triple universal male elbow	E	Plug-in reducer
Z	Branch universal male elbow		Bulkhead union
ZF	Branch universal female elbow	LE	Bulkhead connector
ZD	Double branch universal male elbow		Bulkhead male elbow
ZT	Triple branch universal male elbow	W	
	Extended plug-in elbow		
	Extended male elbow		

Accessory	
Symbol	Name
	Nipple
KQ2N	Reducer nipple
	Adaptor
KQ2C	Tube cap
KQ2C	Color cap
KQ2P	Plug (White)
KQP	Plug (Blue)

Use the below part number to order the gasket for M5 and M6 threads.
Gasket for M5 thread: M-5G2
Gasket for M6 thread: M-6G

* Available only for white color body.
Note) KQT06-04, KQT08-06, KQT10-08, and KQT12-10 are available as made to order.

Series KQ2: White body
Series KQ : Black body



PAT.

- K
- M
- H
- D
- MS
- T
- VMG

One-touch IN/OUT connection.
Possible to use in vacuum to -100 kPa

- Applications for metric size tubing
- Applicable tubing material—Nylon, Soft nylon, Polyurethane

Applicable Tubing

Tubing material	Nylon, Soft nylon, Polyurethane
Tubing O.D.	ø3.2, ø4, ø6, ø8, ø10, ø12, ø16

Product's Color

Series	Body	Release button
Series KQ2	White	Light gray
Series KQ	Black	Blue

Specifications

Fluid	Air/Water ^(Note)	
Maximum operating pressure	1.0 MPa	
Operating vacuum pressure	-100 kPa	
Proof pressure	3.0 MPa	
Ambient and fluid temperature	-5 to 60°C, Water: 0 to 40°C (No freezing)	
Thread	Mounting section	JIS B 0203 (Taper thread for piping) JIS B 0209 Class 2 (Metric coarse thread)
	Nut section	JIS B 0211 Class 2 (Metric fine thread)
Seal (Thread portion)	With seal or none	

Note) Applicable for general industrial water. Please consult with SMC if using for other kinds of fluid. Also, the surge pressure must be under the maximum operating pressure.


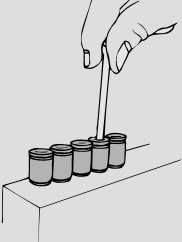

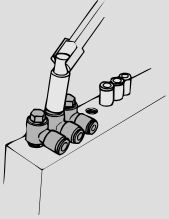

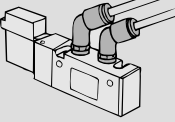

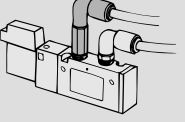

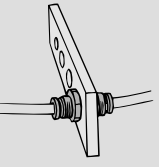

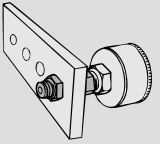

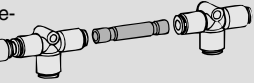

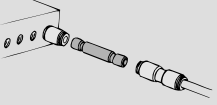















Principal Parts Material

Body	C3604BD, PBT, PP
Stud	C3604BD (Thread portion)
Chuck	Stainless steel 304
Guide	Stainless steel 304, C3604BD, POM
Collet, Release button	POM
Seal, O-ring	NBR
Gasket	Stainless steel 304, NBR



Made to Order P. 15-2-30

Series KQ2

Model			
Hex. socket head male connector KQ2S P. 14 	Internal hex. allows thread connection by using an allen wrench for confined spaces. 	Universal male elbow KQ2V P. 17 	Universal male elbow allows thread connection by using a socket wrench for confined spaces. 
45° male elbow KQ2K P. 16 	Use to pipe in 45° direction from female thread. Model in-between of male connector and male elbow. 	Extended male elbow KQ2W P. 22 	Basically, it is used together with male elbow. Different point is that it is used for with fittings to avoid from interfering with each other by making the piping two-level. 
Bulkhead union KQ2E P. 28 	Use to connect tubes through a panel. 	Bulkhead connector KQ2E P. 28 	Use to connect male thread and tube through a panel. 
Nipple KQ2N P. 29 	Use to connect One-touch fittings. 	Reducer nipple KQ2N P. 29 	Use to connect One-touch fittings that are different tubing O.D.s. 
Male connector KQ2H P. 14 	Use to pipe in the same direction from female thread. Most general style. 	Male elbow KQ2L P. 15 	Use to pipe at right angles to female thread. Most general style.
Female connector KQ2F P. 14 	Use to pipe from male thread such as pressure gauge. 	Union elbow KQ2L P. 20 	Use to connect tubes at right angles.
Straight union KQ2H P. 15 	Use to connect tubes in the same direction. 	Plug-in elbow KQ2L P. 21 	Use to change by 90° in a tube fetching from One-touch direction fittings.
Different diameter straight KQ2H P. 15 	Use to connect different sized tubes. 	Reducer elbow KQ2L P. 21 	Use to change by 90° in a tube fetching direction from One touch fittings and to size down.
Cross KQ2TW P. 23 	Use to four-branch line. 	Different diameter cross KQ2TX P. 23 	Use to connect tubes with size down in all 90° directions.
		Male branch tee KQ2T P. 22 	Use to branch line from female thread in both 90° directions.
		Union tee KQ2T P. 23 	Use to connect tubes in both 90° directions.
		Different diameter tee KQ2T P. 23 	Use to connect tubes with size down in both 90° directions.
		Different diameter tee KQ2T P. 23 	Use to branch line with size down in both side 90° direction.
		Different diameter cross KQ2TY P. 24 	Use to branch line with size down in three directions.

Hexagon socket head universal male elbow

KQ2VS P. 17



Hex. on the top allows thread connection by using an allen wrench for confined spaces.

Triple branch universal male elbow

KQ2ZT P. 20



Use to six-branch line at right angles from female thread. Three individual parts rotate 360°.

Union "Y"

KQ2U P. 26



Use to branch line in the same direction.

Male branch connector

KQ2LU P. 16



Use to branch piping at right angles to female thread.

Branch union elbow

KQ2LU P. 21



Use to branch line at right angles.

Different dia. union "Y"

KQ2U P. 26



Use to branch line with size down in the same direction.

Universal female elbow

KQ2VF P. 18



Use to branch line in the same direction or at the right angles from male or female thread. Multiplex connection possible.

Extended plug-in elbow

KQ2W P. 21



When the elbow extends over a standard elbow for ease of connection/disconnection of tube.

Plug-in "Y"

KQ2U P. 27



Use to branch line in the same direction from One-touch fittings.

Female elbow

KQ2LF P. 18



Use to pipe at right angles to male thread.

Male delta union

KQ2D P. 25



Use to branch line in 90° direction from female thread.

Branch "Y"

KQ2U P. 25



Use to branch line in the same direction from female thread.

Double universal male elbow

KQ2VD P. 18



Use to branch line at right angles to female thread. Two individual parts rotate 360°.

Delta union

KQ2D P. 25



Use to branch in tripple 90° direction.

Plug-in reducer

KQ2R P. 28



Use to change size of One-touch fittings.

Triple universal male elbow

KQ2VT P. 19



Use to three-branch line at right angles from female thread. Three individual parts rotate 360°.

Delta branch

KQ2UD P. 26



Use to four-branch line in the same direction from female thread.

Bulkhead male elbow

KQ2LE P. 28



Use to connect tubes through a panel, changing by 90° in a tube fetching direction.

Branch universal male elbow

KQ2Z P. 19



Hexagonal head allows thread connection by using a box wrench. Use for branch connection.

Different dia. double union "Y"

KQ2UD P. 26



Use to four-branch line in the same direction with size down.

Adaptor

KQ2N P. 28



Use to connect fitting and R female thread.

Branch universal female elbow

KQ2ZF P. 19



Use to branch line in the same direction or at right angles from male or female thread. Multiplex connection possible.

Different diameter plug-in "Y"

KQ2X P. 27



Use to branch line from One-touch fitting with size down.

Tube cap

KQ2C P. 29



Use to plug unused tube.

Double branch universal male elbow

KQ2ZD P. 20



Use to four-branch line at right angles from female thread. Two individual parts rotate 360°.

Double plug-in "Y"

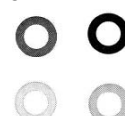
KQ2XD P. 27



Use to four-branch line from One-touch fitting.

Color cap

KQ2C P. 29



Mounted on the release button corresponding to its applications. Distinguished by color.

Male run tee

KQ2Y P. 24



Use to branch line in the same direction from female thread and in 90° direction.

Gasket/Seal for M5 and M6 thread

Part no.: M-5G2 (For M5 thread)
M-6G (For M6 thread)
Material: Stainless steel 304, NBR

Plug

KQ2P, KQP P. 29



Use to plug unused One-touch fittings.
KQP (Blue)
KQ2P (White)

- K
- M
- H
- D
- MS
- T
- VMG

Series KQ2

Male Connector: KQ2H

<M5, M6>

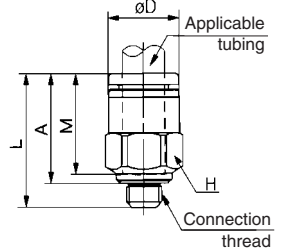


<R>

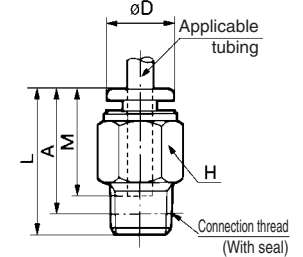


Applicable tubing O.D. (mm)	Connection thread R	Model	H (width across flats)	⁽¹⁾ ϕD	L	A*	M	Effective area ⁽²⁾ (mm ²)		Weight (g)
								Nylon	Urethane	
3.2	M5 x 0.8	KQ2H23-M5	7	7	16.7	13.6	12.7	3	2.5	2.1
	1/8	KQ2H23-01S	10	—	22	18	15.5	3.4	2.9	9
	1/4	KQ2H23-02S	14	—	19.5	13.5		4	2.4	2.5
4	M5 x 0.8	KQ2H04-M5	8	8	17	13.9	12.7	4	4	2.4
	M6 x 1.0	KQ2H04-M6	8	—	18	18	16	5.6	4	2.5
	1/8	KQ2H04-01S	10	—	22	18		4	9	16
6	M5 x 0.8	KQ2H06-M5	10	10	17.8	14.7	13.5	4	4	3.3
	M6 x 1.0	KQ2H06-M6	10	—	19	14.9		4	3.4	16
	1/8	KQ2H06-01S	12	—	22.5	18.5	17	13.1	10.4	16
1/4	KQ2H06-02S	14	—	23	17	27		21	19	
8	1/8	KQ2H08-01S	14	—	28	24	18.5	26.1	18.0	19
	1/4	KQ2H08-02S	17	—	26.5	20.5		26	30	30
	3/8	KQ2H08-03S	17	—	22	15.5	21	26.1	26.1	19
10	1/8	KQ2H10-01S	17	—	30	26	21	41.5	29.5	30
	1/4	KQ2H10-02S	17	—	33.5	27.5		30	53	30
	3/8	KQ2H10-03S	22	—	29	22.5	22	58.3	46.1	34
12	1/2	KQ2H10-04S	22	—	27	19	22	81	(81)	61
	1/4	KQ2H12-02S	19	—	34.5	28.5		113	(96)	47
	3/8	KQ2H12-03S	19	—	30	22	25	81	(81)	61
16	1/2	KQ2H12-04S	22	—	30	22	25	81	(81)	61
	3/8	KQ2H16-03S	24	25.7	39.5	33	25	113	(96)	47
16	1/2	KQ2H16-04S	24	25.7	35.5	27.5	25	113	(96)	47

<M5, M6>



<R>



* Reference dimensions after R thread installation.
Note 1) D: Max. diameter Note 2) (): Values for soft nylon.

Hexagon Socket Head Male Connector: KQ2S

<M5, M6>



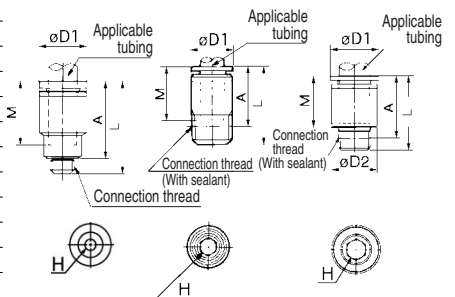
<R>



Applicable tubing O.D. (mm)	Connection thread P	Model	H (width across flats)	⁽¹⁾ $\phi D1$	$\phi D2$	L	A*	M	Effective area ⁽²⁾ (mm ²)		Weight (g)
									Nylon	Urethane	
4	M5 x 0.8	KQ2S04-M5	2.5	8	—	18.7	15.6	12.7	4	4	2.7
	M6 x 1.0	KQ2S04-M6	3			18.2	14.1		4.1	3.6	2.8
	1/8	KQ2S04-01S	3	9.8	23	19	16	4	4	8	
6	M5 x 0.8	KQ2S06-M5	2.5	10	—	19.5	16.4	13.5	4	4	3.3
	M6 x 1.0	KQ2S06-M6	3			19.1	15		4	4	3.4
	1/8	KQ2S06-01S	4	11.8	24	20	17	10.0	9.9	9	
8	1/4	KQ2S06-02S	4	13.8	—	24	18	18.5	10.7	10.0	15
	1/8	KQ2S08-01S	5	14	28	24	17.2		12		
	1/4	KQ2S08-02S	6	17	25.5	19.5	18.5	23.3	16.2	11	
10	3/8	KQ2S08-03S	6	17	—	27.5	21	21	24	12	
	1/8	KQ2S10-01S	5	17	30	26	17.2		16.2	18	
	1/4	KQ2S10-02S	8	17	27.5	21.5	21	39.0	26.6	19	
12	3/8	KQ2S10-03S	8	22	—	28	20	22	35	23	
	1/2	KQ2S10-04S	8	19	33.5	27.5	46.0		44.5	18	
	1/4	KQ2S12-02S	10	22	29	22.5	22	60.0	44.5	30	
16	3/8	KQ2S12-03S	10	25.7	—	28	20	25	81	(81)	42
	1/2	KQ2S12-04S	12	24	39	32.5	25		113	(96)	34
16	3/8	KQ2S16-03S	10	25.7	24	35	27	25	113	(96)	34
	1/2	KQ2S16-04S	12	24	35	27	25	113	(96)	34	

<M5, M6> <R>

KQ2S04 to 12 KQ2S16

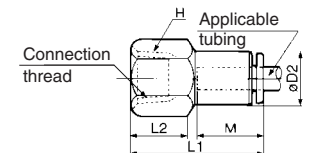


* Reference dimensions after R thread installation.
Note 1) ϕD : Max. diameter
Note 2) (): Values for soft nylon.

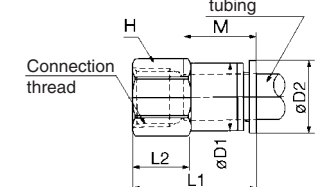
Female Connector: KQ2F

Applicable tubing O.D. (mm)	Connection thread Rc	Model	H (width across flats)	⁽¹⁾ $\phi D1$	$\phi D2$	L1	L2	M	Effective area ⁽²⁾ (mm ²)		Weight (g)
									Nylon	Urethane	
4	1/8	KQ2F04-01	14	—	10	27	11	16	5.6	4	15
	1/4	KQ2F04-02	17			31	14		4	23	
6	1/8	KQ2F06-01	14	—	12	27.5	11	17	13.1	10.4	15
	1/4	KQ2F06-02	17			31	13		22		
	3/8	KQ2F06-03	19	33.5	15	25					
8	1/8	KQ2F08-01	14	—	14	29	11	18.5	26.1	18.0	17
	1/4	KQ2F08-02	17			32.5	13		24		
	3/8	KQ2F08-03	19	33.5	14	24					
10	1/4	KQ2F10-02	17	—	17	34.5	14	21	41.5	29.5	27
	3/8	KQ2F10-03	19			36.5	15		30		
12	1/4	KQ2F12-02	19	—	19	35	14	22	58.3	46.1	36
	3/8	KQ2F12-03	19			37	14		31		
	1/2	KQ2F12-04	24	41	18	52					
16	3/8	KQ2F16-03	24	24	25.7	38	15	25	81	(81)	59
	1/2	KQ2F16-04	24			43	19		58		

KQ2F04 to 12



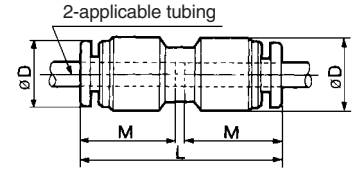
KQ2F16



Straight Union: KQ2H



Applicable tubing O.D. (mm)	Model	øD ⁽¹⁾	L	M	Effective area ⁽²⁾ (mm ²)		Weight (g)
					Nylon	Urethane	
3.2	KQ2H23-00	9.6	31.5	15.5	3.4	2.9	3
4	KQ2H04-00	10.4	32.5	16	5.6	4	3
6	KQ2H06-00	12.8	34.5	17	13.1	10.4	4
8	KQ2H08-00	15.2	38.5	18.5	26.1	18.0	6
10	KQ2H10-00	18.5	42.5	21	41.5	29.5	11
12	KQ2H12-00	20.9	44.5	22	58.3	46.1	14
16	KQ2H16-00	26.5	51	25	113	(96)	24

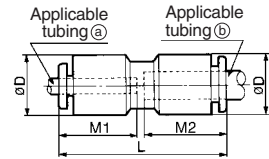


Note 1) øD: Max. diameter
 Note 2) (): Values for soft nylon.

Different Diameter Straight: KQ2H



Applicable tubing O.D. (mm)		Model	Note) øD	L	M1	M2	Effective area (mm ²)		Weight (g)
Ⓐ	Ⓑ						Nylon	Urethane	
3.2	4	KQ2H23-04	10.4	32.5	15.5	16	3.4	2.9	3
4	6	KQ2H04-06	12.8	34.5	16	17	5.6	5.6	5
6	8	KQ2H06-08	15.2	38.5	17	18.5	13.1	10.4	6
8	10	KQ2H08-10	18.5	42	18.5	21	26.1	18.0	11
10	12	KQ2H10-12	20.9	44.5	21	22	41.5	29.5	14
12	16	KQ2H12-16	26.5	56.5	22	25	58.3	46.1	47



Note) øD: Max. diameter

Male Elbow: KQ2L

<M5>



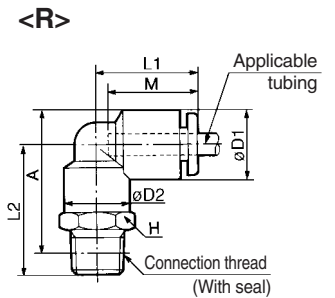
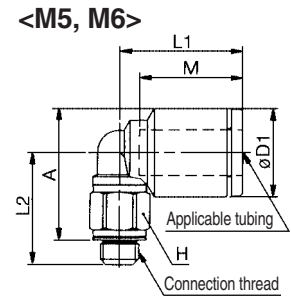
<M6>



<R>



Applicable tubing O.D. (mm)	Connection thread R	Model	H (width across flats)	Note 1) øD ⁽¹⁾		L1	L2	A*	M	Effective area ⁽²⁾ (mm ²)		Weight (g)
				øD1	øD2					Nylon	Urethane	
3.2	M5 x 0.8	KQ2L23-M5	7	8.5	—	15.3	13.2	14.3	12.7	2.6	2.2	2.5
	1/8	KQ2L23-01S	10	9.6	10	17.5	21.5	22.5	15.5	3	2.5	8
	1/4	KQ2L23-02S	14	—	—	—	25.5	24.5	—	—	—	18
4	M5 x 0.8	KQ2L04-M5	7	9.3	—	15.6	13.7	15.3	12.7	3.5	3.5	2.7
	M6 x 1.0	KQ2L04-M6	8	—	—	—	14.7	—	—	—	—	3.6
	1/8	KQ2L04-01S	10	10.4	10	18	22	23	16	4.2	4.2	10
6	1/4	KQ2L04-02S	14	—	—	—	26	25	—	—	—	19
	M5 x 0.8	KQ2L06-M5	7	11.6	—	16.1	14.7	17.4	13.5	3.5	3.5	3.2
	M6 x 1.0	KQ2L06-M6	8	—	—	—	15.7	—	—	—	—	4.1
	1/8	KQ2L06-01S	10	—	—	—	23	25.5	—	—	—	12
	1/4	KQ2L06-02S	14	12.8	10	20	27	27.5	17	11.4	9.0	22
	3/8	KQ2L06-03S	17	—	—	—	29	29	—	—	—	33
8	1/8	KQ2L08-01S	12	—	—	—	24.5	28	—	—	—	13
	1/4	KQ2L08-02S	14	15.2	12	23	28.5	30	18.5	21.6	14.9	21
	3/8	KQ2L08-03S	17	—	—	—	30.5	31.5	—	—	—	35
10	1/8	KQ2L10-01S	—	—	—	—	27	32	—	21.6	14.9	25
	1/4	KQ2L10-02S	17	18.5	17	26.5	30	33	21	—	—	26
	3/8	KQ2L10-03S	—	—	—	—	32	34.5	—	35.2	25.0	36
	1/2	KQ2L10-04S	22	—	—	—	36	37	—	—	—	63
12	1/4	KQ2L12-02S	—	—	—	—	31	35.5	—	—	—	28
	3/8	KQ2L12-03S	17	20.9	17	28.5	33	37	22	50.2	39.7	38
	1/2	KQ2L12-04S	22	—	—	—	37	39.5	—	—	—	65
16	3/8	KQ2L16-03S	—	—	—	—	38	44.5	25	71	(71)	101
	1/2	KQ2L16-04S	22	26.5	20.9	34	41	46	—	100	(84)	105



* Reference dimensions after R thread installation.
 Note 1) øD1: Max. diameter
 Note 2) (): Values for soft nylon.

K□

M□

H□

D□

MS

T□

VMG

Series KQ2

Male Branch Connector: KQ2LU

<M5, M6>

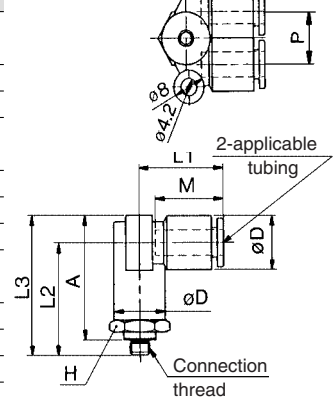


<R>

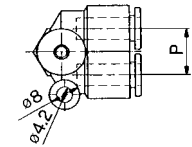


Applicable tubing O.D. (mm)	Connection thread R	Model	H (width across flats)	Note) ϕD	L1	L2	L3	A*	M	P	Effective area (mm ²)		Weight (g)
											Nylon	Urethane	
4	M5 x 0.8	KQ2LU04-M5	11	10.4	18.5	24	29.5	25.5	16	10.4	4.3	4.1	10
	M6 x 1.0	KQ2LU04-M6				24.5	30				6.0	4.1	12
	1/8	KQ2LU04-01S	26.5			32	27.5	21					
	1/4	KQ2LU04-02S	30.5			36	30						
6	M5 x 0.8	KQ2LU06-M5	13	12.8	21	26.5	33	29.5	17	12.8	4.3	4.3	13
	M6 x 1.0	KQ2LU06-M6				27	33.5				13.9	11.0	15
	1/8	KQ2LU06-01S	29.5			36	32	22					
	1/4	KQ2LU06-02S	33			39.5	33.5				35		
8	3/8	KQ2LU06-03S	17	15.2	24	35	41.5	35	18.5	15.2	26.3	18.2	27
	1/8	KQ2LU08-01S	34			41.5	38	35					
	1/4	KQ2LU08-02S	37			44.5	38.5						41
	3/8	KQ2LU08-03S	38			45.5	39	64					
10	1/4	KQ2LU10-02S	19	18.5	27	40	49.5	43.5	21	18.5	40.8	29.0	41
	3/8	KQ2LU10-03S	41			50.5	44	42					
	1/2	KQ2LU10-04S	44.5			54	45.5						64
	1/4	KQ2LU12-02S	19			20.9	29	42.5					53
3/8	KQ2LU12-03S	43.5	54	47.5	58								
1/2	KQ2LU12-04S	46.5	57	49				65					

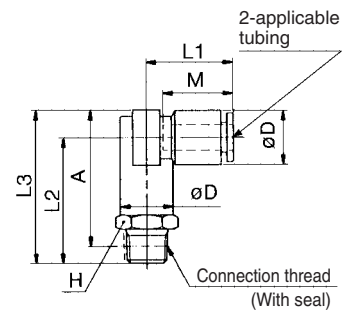
<M5, M6>



<R>



* Reference dimensions after R thread installation.
Note) ϕD : Max. diameter



45° Male Elbow: KQ2K

<M5, M6>

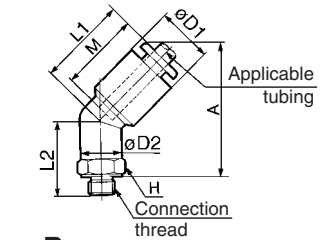


<R>

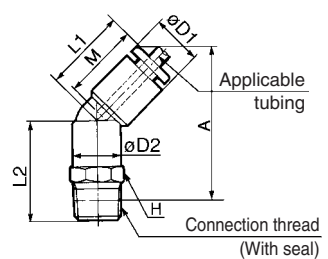


Applicable tubing O.D. (mm)	Connection thread R	Model	H (width across flats)	$\phi D1$ ⁽¹⁾	$\phi D2$	L1	L2	A*	M	P	Effective area ⁽²⁾ (mm ²)		Weight (g)
											Nylon	Urethane	
4	M5 x 0.8	KQ2K04-M5	8	10.4	8	17	14.5	26	16	3.4	3.4	4	
	M6 x 1.0	KQ2K04-M6					15					5	
	1/8	KQ2K04-01S	20.5				32	10					
	1/4	KQ2K04-02S	24.5				34	19					
6	M5 x 0.8	KQ2K06-M5	8	12.8	8	18	14.5	27.5	17	8.7	6.9	6	
	M6 x 1.0	KQ2K06-M6					15					5	
	1/8	KQ2K06-01S	20.5				33	12					
	1/4	KQ2K06-02S	24.5				35	10					
8	3/8	KQ2K06-03S	17	15.2	12	20.5	26.5	36.5	18.5	19.7	19.7	33	
	1/8	KQ2K08-01S	22				37					13	
	1/4	KQ2K08-02S	26				39	21					
	3/8	KQ2K08-03S	28				41	35					
10	1/8	KQ2K10-01S	17	18.5	17	24	24	42	21	30.9	23.2	25	
	1/4	KQ2K10-02S					27					43.5	26
	3/8	KQ2K10-03S	29				45	36					
	1/2	KQ2K10-04S	33				47.5	63					
12	1/4	KQ2K12-02S	17	20.9	17	25	27.5	45.5	22	44.5	35.1	28	
	3/8	KQ2K12-03S	29.5				47.5					38	
	1/2	KQ2K12-04S	33.5				49.5	65					
	3/8	KQ2K16-03S	22				26.5	20.9				30	32
1/2	KQ2K16-04S	35	56.5	91.9	(78.3)	58							

<M5, M6>





<R>



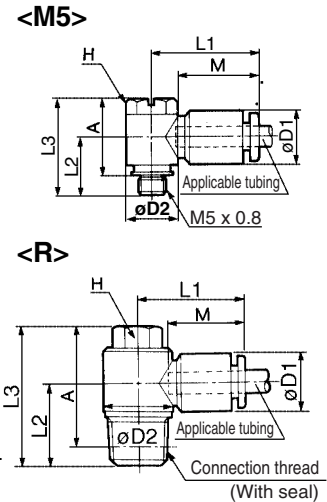
* Reference dimensions after R thread installation.
Note 1) ϕD : Max. diameter
Note 2) (): Values for soft nylon.

Universal Male Elbow: KQ2V

	Applicable tubing O.D. (mm)	Connection thread R	Model	H (width across flats)	(1) $\phi D1$	$\phi D2$	L1	L2	L3	A*	M	Effective area (mm ²) ⁽²⁾		Weight (g)
												Nylon	Urethane	
<M5> 	4	M5 x 0.8	KQ2V04-M5	8	10.4	9.8	20.5	11	18.5	15	16	2.9	2.9	6
			KQ2V04-01S			13.4	22	14.5	26.5	22.5		3.8	3.8	14
<R> 	6	M5 x 0.8	KQ2V06-M5	8	12.8	9.8	23.5	12	18.5	15	17	3.8	3.8	7
			KQ2V06-01S			13.4	24	14.5	26.5	22.5		7.5	5.9	15
			KQ2V06-02S			15.4	23.5	18.5	31	25		26		
			KQ2V08-01S			17.6	28.5	15.5	28.5	24.5		18.5	16	11.2
	8	1/8	KQ2V08-02S	12	15.2	17.6	28.5	15.5	28.5	24.5	18.5	16	11.2	30
			KQ2V08-03S			20.6	27.5	20.5	36.5	30		20.5	14.3	47
	10	1/4	KQ2V10-02S	14	18.5	20.6	31	19.5	35.5	29.5	21	27	20.3	40
			KQ2V10-03S			20.5	36.5	30	27	20.3		49		
	12	3/8	KQ2V12-03S	17	20.9	25.2	34	22	38.5	32	22	39	30.8	63
			KQ2V12-04S			25	41.5	33.5	80					
	16	3/8	KQ2V16-03S	21	26.5	32.3	39	26.5	46.5	40.5	25	55	(55)	103
			KQ2V16-04S			29.5	49.5	41.5	78	(65)		110		





* Reference dimensions after R thread installation.
 Note 1) ϕD : Max. diameter
 Note 2) (): Values for soft nylon.



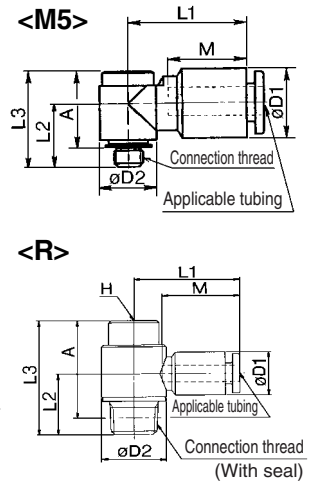
- K
- M
- H
- D
- MS
- T
- VMG

Hexagon Socket Head Universal Male Elbow: KQ2VS

	Applicable tubing O.D. (mm)	Connection thread R	Model	H (width across flats)	Note) $\phi D1$	$\phi D2$	L1	L2	L3	A*	M	Effective area (mm ²)		Weight (g)
												Nylon	Urethane	
<M5> 	4	M5	KQ2VS04-M5	4	10.4	9.8	20.5	10.5	18	15	16	2.9	2.9	6
			KQ2VS04-01S			13.4	22	14.5	26.5	22.5		3.8	3.8	14
<R> 	6	M5	KQ2VS06-M5	4	12.8	9.8	23.5	12	18	15	17	3.8	3.8	7
			KQ2VS06-01S			13.4	24	14.5	26.5	22.5		7.5	5.9	15
			KQ2VS06-02S			15.3	23.5	18.5	27	21		22		
			KQ2VS08-01S			17.6	28.5	15.5	27	23		18.5	16	11.2
	8	1/8	KQ2VS08-02S	8	15.2	17.6	28.5	15.5	27	23	18.5	16	11.2	30
			KQ2VS08-03S			20.6	27.5	20.5	32.5	26		20.5	14.3	47
	10	1/4	KQ2VS10-02S	8	18.5	20.6	31	19.5	31.5	25	21	27	20.3	32
			KQ2VS10-03S			20.5	32.5	26	27	20.3		39		
	12	3/8	KQ2VS12-03S	10	20.9	25.2	34	22	36	30	22	39	30.8	48
			KQ2VS12-04S			25	39	31	25	39		31	67	



* Reference dimensions after R thread installation.
 Note) ϕD : Max. diameter



Series KQ2

Universal Female Elbow: KQ2VF

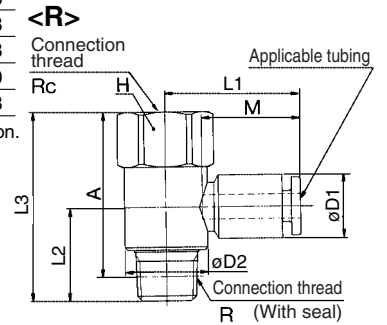
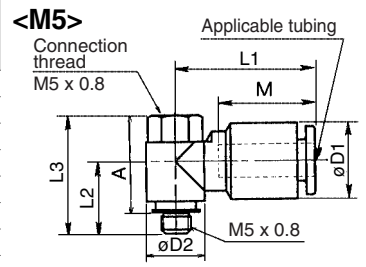
<M5>



<R>



Applicable tubing O.D. (mm)	Connection thread Rc R	Model	H (width across flats)	Note) øD1	øD2	L1	L2	L3	A	M*	Weight (g)
	1/8	KQ2VF04-01S	14	13.4	22	15.5	29.5	25.5	19		
6	M5 x 0.8	KQ2VF06-M5	8	12.8	9.8	23.5	12.5	20	16	17	7
	1/8	KQ2VF06-01S	14		13.4	24.5	15.5	29.5	25.5		19
	1/4	KQ2VF06-02S	17		17.6	25	20	38.5	32.5		36
8	1/8	KQ2VF08-01S	17	15.2	17.6	28.5	17	31	27	18.5	29
	1/4	KQ2VF08-02S	17		20	38.5	32.5	37			
	3/8	KQ2VF08-03S	22		25.2	29.5	25.5	45.5	39		66
10	1/4	KQ2VF10-02S	19	18.5	20.6	31.5	22	41	35	21	48
	3/8	KQ2VF10-03S	22		25.2	34	24.5	45.5	39		68
12	3/8	KQ2VF12-03S	22	20.9	25.2	34	24.5	45.5	39	22	70
	1/2	KQ2VF12-04S	24		27	35	25.5	50	42		93



* Reference dimensions after R thread installation.
Note) øD1: Max. diameter

Female Elbow: KQ2LF

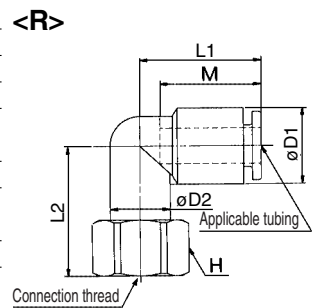
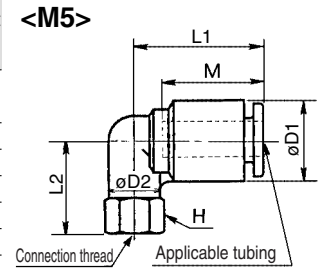
<M5, M6>



<Rc>



Applicable tubing O.D. (mm)	Connection thread Rc	Model	H (width across flats)	Note) øD1	øD2	L1	L2	M	Effective area (mm ²)		Weight (g)			
									Nylon	Urethane				
4	M5 x 0.8	KQ2LF04-M5	8	10.4	8	18.5	14.5	16	3.5	3.5	5			
	M6 x 1.0	KQ2LF04-M6	15.5											
	1/8	KQ2LF04-01	21											
	1/4	KQ2LF04-02	24.5											
6	M5 x 0.8	KQ2LF06-M5	8	12.8	8	20.5	15	17	3.5	3.5	5			
	M6 x 1.0	KQ2LF06-M6	16											
	1/8	KQ2LF06-01	22											
	1/4	KQ2LF06-02	25.5											
	3/8	KQ2LF06-03	19		26		11.4	9.0		20				
8	1/8	KQ2LF08-01	14	15.2	12	23.5	23	18.5	21.6	14.9	16			
	1/4	KQ2LF08-02	17											
	3/8	KQ2LF08-03	19											
	1/4	KQ2LF10-02	17				28					21.6	14.9	22
10	3/8	KQ2LF10-03	19	18.5	17	26.5	27	21	35.2	25.0	23			
	1/2	KQ2LF10-04	24											
	1/4	KQ2LF12-02	17				28.5							27
	3/8	KQ2LF12-03	19				29.5							46
12	3/8	KQ2LF12-03	19	20.9	17	28.5	30	22	50.2	39.7	29			
	1/2	KQ2LF12-04	24				34							48

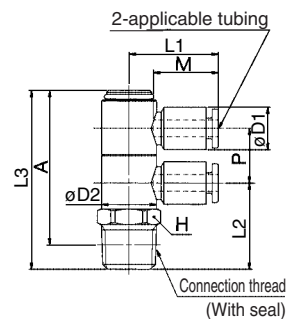


Note) øD1: Max. diameter

Double Universal Male Elbow: KQ2VD



Applicable tubing O.D. (mm)	Connection thread R	Model	H (width across flats)	Note) øD1	øD2	L1	L2	L3	A*	M	P	Weight (g)
	1/4	KQ2VD04-02S	14	21.5	44	38	29					
	3/8	KQ2VD04-03S	17	23.5	46	40	42					
6	1/8	KQ2VD06-01S	14	12.8	13.4	24.5	18.5	41	37	17	13.4	24
	1/4	KQ2VD06-02S	14				21.5	44	38			30
	3/8	KQ2VD06-03S	17				23.5	46	40			42
8	1/8	KQ2VD08-01S	19	15.2	17.6	28.5	21	48	44	18.5	15.9	53
	1/4	KQ2VD08-02S	19				24	51	45			51
	3/8	KQ2VD08-03S	22				25	52	45.5			60
	1/2	KQ2VD08-04S	21				28.5	55.5	47.5			82
10	1/4	KQ2VD10-02S	19	18.5	20.6	31.5	26.5	58	52	21	19.2	71
	3/8	KQ2VD10-03S	21				27.5	59	53			74
	1/2	KQ2VD10-04S	21				30.5	62	54			91
12	1/4	KQ2VD12-02S	22	20.9	25.2	34	28.5	64.5	58.5	22	21.6	118
	3/8	KQ2VD12-03S	22				29.5	65.5	59			113
	1/2	KQ2VD12-04S	24				32.5	68.5	60			125

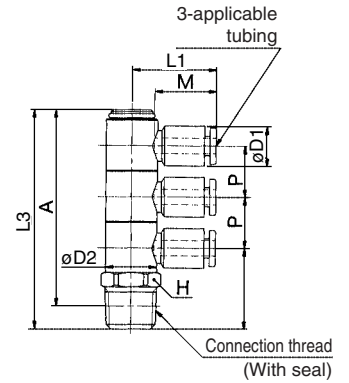


* Reference dimensions after R thread installation.
Note) øD1: Max. diameter

Triple Universal Male Elbow: KQ2VT



Applicable tubing O.D. (mm)	Connection thread R	Model	H (width across flats)	Note) $\phi D1$	$\phi D2$	L1	L2	L3	A*	M	P	Weight (g)
4	1/8	KQ2VT04-01S	14	10.4	13.4	22	18.5	54.5	50.5	16	13.4	29
	1/4	KQ2VT04-02S					21.5	57.5	51.5			34
	3/8	KQ2VT04-03S					23.5	59.5	53.5			48
6	1/8	KQ2VT06-01S	14	12.8	13.4	24.5	18.5	54.5	50.5	17	13.4	31
	1/4	KQ2VT06-02S					21.5	57.5	51.5			37
	3/8	KQ2VT06-03S					23.5	59.5	53.5			50
8	1/8	KQ2VT08-01S	19	15.2	17.6	28.5	21	64	60	18.5	15.9	71
	1/4	KQ2VT08-02S					24	67	61			66
	3/8	KQ2VT08-03S					25	68	61.5			75
	1/2	KQ2VT08-04S					28.5	71.5	63.5			96
10	1/4	KQ2VT10-02S	21	18.5	20.6	31.5	26.5	77.5	71.5	21	19.2	94
	3/8	KQ2VT10-03S					27.5	78.5	72			111
	1/2	KQ2VT10-04S					30.5	81.5	73.5			
12	1/4	KQ2VT12-02S	26	20.9	25.2	34	28.5	86	80	22	21.6	153
	3/8	KQ2VT12-03S					29.5	87	80.5			142
	1/2	KQ2VT12-04S					32.5	90	82			154



* Reference dimensions after R thread installation.
Note) $\phi D1$: Max. diameter

- K
- M
- H
- D
- MS
- T
- VMG

Branch Universal Male Elbow: KQ2Z

<M5>

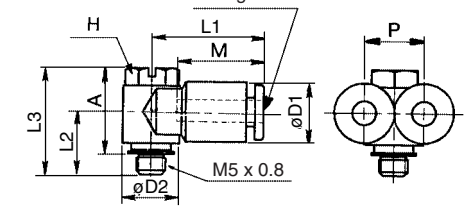


<R>

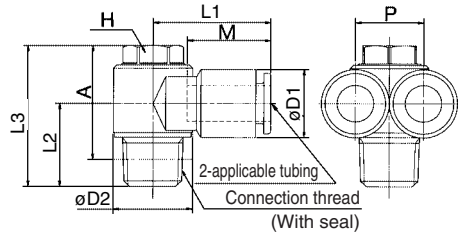


Applicable tubing O.D. (mm)	Connection thread R	Model	H (width across flats)	Note) $\phi D1$	$\phi D2$	L1	L2	L3	A*	M	P	Effective area (mm ²)		Weight (g)
												Nylon	Urethane	
4	M5 x 0.8	KQ2Z04-M5	8	10.4	9.8	19.5	11	18.5	15	16	10.4	3.4	3.4	8
												4.7	4.7	16
6	1/8	KQ2Z06-01S	8	12.8	13.4	21	14.5	26.5	22.5	17	12.8	10.8	8.6	17
														39
														47
8	1/8	KQ2Z08-01S	12	15.2	17.6	26	15.5	28.5	24.5	18.5	15.2	20.5	14.2	27
														33
														49
10	1/4	KQ2Z10-02S	14	18.5	20.6	29	19.5	35.5	29.5	21	18.5	31.8	22.6	46
														54
														71
12	3/8	KQ2Z12-03S	17	20.9	25.2	32.5	22	39	32.5	22	20.9	44.6	35.3	71
							25	42	34					88

<M5>



<R>



* Reference dimensions after R thread installation.
Note) $\phi D1$: Max. diameter

Branch Universal Female Elbow: KQ2ZF

<M5>

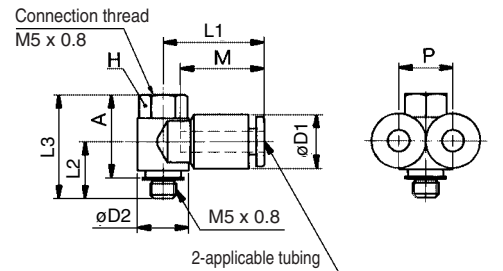


<R>

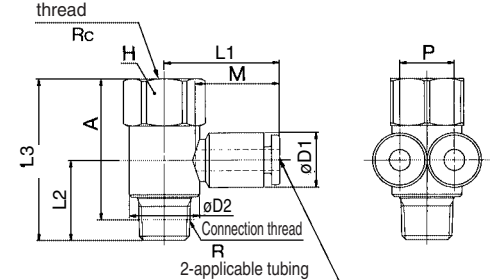


Applicable tubing O.D. (mm)	Connection thread R Rc	Model	H (width across flats)	Note) $\phi D1$	$\phi D2$	L1	L2	L3	A*	M	P	Weight (g)
4	M5 x 0.8	KQ2ZF04-M5	8	10.4	9.8	19.5	11	20	16.5	16	10.4	8
												21
6	1/8	KQ2ZF06-01S	14	12.8	13.4	22	15.5	29.5	25.5	17	12.8	21
												47
8	1/8	KQ2ZF08-01S	17	15.2	17.6	25.5	17	31	27	18.5	15.2	32
												49
												54
10	1/4	KQ2ZF10-02S	19	18.5	20.6	29	22	41	35	21	18.5	74
												77
												101
12	3/8	KQ2ZF12-03S	22	20.9	25.2	32.5	24.5	45.5	39	22	20.9	77
												101

<M5>



<R>



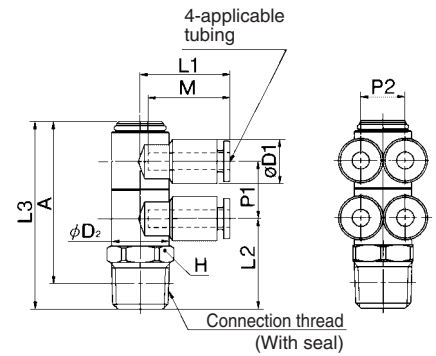
* Reference dimensions after R thread installation.
Note) $\phi D1$: Max. diameter

Series KQ2

Double Branch Universal Male Elbow: KQ2ZD



Applicable tubing O.D. (mm)	Connection threads R	Model	H (width across flats)	Note) øD1	øD2	L1	L2	L3	A*	M	P1	P2	Weight (g)
4	1/8	KQ2ZD04-01S	14	10.4	13.4	21	18.5	41	37	16	13.4	10.4	34
	1/4	KQ2ZD04-02S					21.5	44	38				40
	3/8	KQ2ZD04-03S					23.5	46	40				53
6	1/8	KQ2ZD06-01S	14	12.8	13.4	22	18.5	41	37	17	13.4	12.8	38
	1/4	KQ2ZD06-02S					21.5	44	38				43
	3/8	KQ2ZD06-03S					23.5	46	40				57
8	1/8	KQ2ZD08-01S	19	15.2	17.6	26	21	48	44	18.5	15.9	15.2	76
	1/4	KQ2ZD08-02S					24	51	45				72
	3/8	KQ2ZD08-03S					25	52	45.5				81
	1/2	KQ2ZD08-04S					28.5	55.5	47.5				102
10	1/4	KQ2ZD10-02S	21	18.5	20.6	29	26.5	58	52	21	19.2	18.5	111
	3/8	KQ2ZD10-03S					27.5	59	53				128
	1/2	KQ2ZD10-04S					30.5	62	54				178
12	1/4	KQ2ZD12-02S	26	20.9	25.2	32	28.5	64.5	58.5	22	21.6	20.9	167
	3/8	KQ2ZD12-03S					29.5	65.5	59				179
	1/2	KQ2ZD12-04S					32.5	68.5	60				

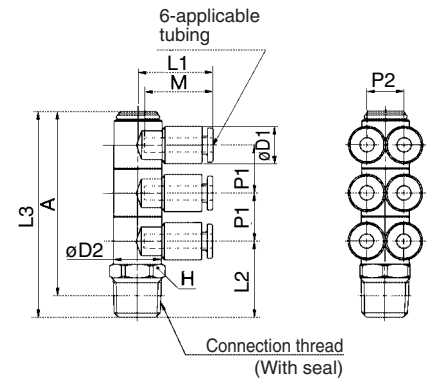


* Reference dimensions after R thread installation.
Note) øD1: Max. diameter

Triple Branch Universal Male Elbow: KQ2ZT



Applicable tubing O.D. (mm)	Connection threads R	Model	H (width across flats)	Note) øD1	øD2	L1	L2	L3	A*	M	P1	P2	Weight (g)
4	1/8	KQ2ZT04-01S	14	10.4	13.4	21	18.5	54.5	50.5	16	13.4	10.4	25
	1/4	KQ2ZT04-02S					21.5	57.5	51.5				31
	3/8	KQ2ZT04-03S					23.5	59.5	53.5				44
6	1/8	KQ2ZT06-01S	14	12.8	13.4	22	18.5	54.5	50.5	17	13.4	12.8	27
	1/4	KQ2ZT06-02S					21.5	57.5	51.5				33
	3/8	KQ2ZT06-03S					23.5	59.5	53.5				46
8	1/8	KQ2ZT08-01S	19	15.2	17.6	26	21	64	60	18.5	15.9	15.2	56
	1/4	KQ2ZT08-02S					24	67	61				54
	3/8	KQ2ZT08-03S					25	68	61.5				62
	1/2	KQ2ZT08-04S					28.5	71.5	63.5				85
10	1/4	KQ2ZT10-02S	21	18.5	20.6	29	26.5	77.5	71.5	21	19.2	18.5	83
	3/8	KQ2ZT10-03S					27.5	78.5	72				85
	1/2	KQ2ZT10-04S					30.5	81.5	73.5				102
12	1/4	KQ2ZT12-02S	26	20.9	25.2	32	28.5	86	80	22	21.6	20.9	134
	3/8	KQ2ZT12-03S					29.5	87	80.5				130
	1/2	KQ2ZT12-04S					32.5	90	82				141

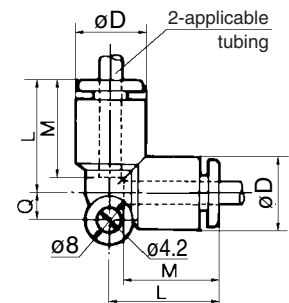


* Reference dimensions after R thread installation.
Note) øD1: Max. diameter

Union Elbow: KQ2L



Applicable tubing O.D. (mm)	Model	øD ⁽¹⁾	L	Q	M	Effective area ⁽²⁾ (mm ²)		Weight (g)
						Nylon	Urethane	
3.2	KQ2L23-00	9.6	17.5	4.3	15.5	3	2.5	3
4	KQ2L04-00	10.4	18	4.5	16	4.2	4.2	6
6	KQ2L06-00	12.8	20	5.3	17	11.4	9.0	6
8	KQ2L08-00	15.2	23	6	18.5	21.6	14.9	10
10	KQ2L10-00	18.5	26.5	6.8	21	35.2	25.0	17
12	KQ2L12-00	20.9	28.5	7.5	22	50.2	39.7	21
16	KQ2L16-00	26.5	34	10	25	100	(84)	29



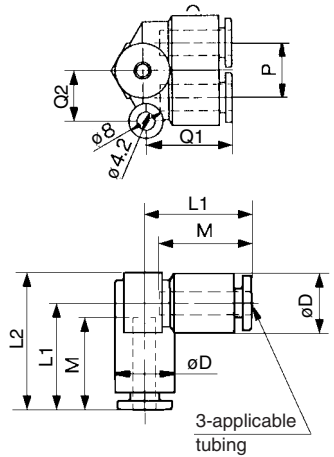
Note 1) øD: Max. diameter
Note 2) (): Valves for soft nylon.

Branch Union Elbow: KQ2LU



Applicable tubing O.D. (mm)	Model	Note) ϕD	L1	L2	Q1	Q2	M	P	Effective area (mm ²)		Weight (g)
									Nylon	Urethane	
4	KQ2LU04-00	10.4	18.5	24	18.5	10	16	10.4	6.0	4.1	6
6	KQ2LU06-00	12.8	21	27.5	20.5	12	17	12.8	13.9	11.0	8
8	KQ2LU08-00	15.2	24	32	24.5	14	18.5	15.2	26.3	18.2	15
10	KQ2LU10-00	18.5	27	36.5	28	16	21	18.5	40.8	29.0	25
12	KQ2LU12-00	20.9	29	40	30	18	22	20.9	57.2	45.2	32

Note) ϕD : Max. diameter

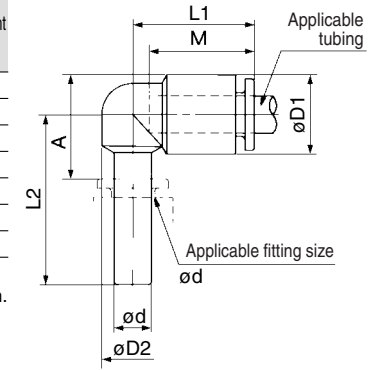


Plug-in Elbow: KQ2L



Applicable tubing O.D. (mm)	Applicable fitting size ϕd	Model	Note 1)		L1	L2	A	M	Effective area ⁽²⁾ (mm ²)		Weight (g)
			$\phi D1$	$\phi D2$					Nylon	Urethane	
3.2	3.2	KQ2L23-99	9.6	7	17	24.5	14	15.5	3	2.5	2
4	4	KQ2L04-99	10.4	8	18	25	14.5	16	4.2	4.2	3
6	6	KQ2L06-99	12.8	10	20	27.5	17	17	11.4	9.0	3
8	8	KQ2L08-99	15.2	12	22.5	31.5	21	18.5	21.6	14.9	5
10	10	KQ2L10-99	18.5	14	25.5	35.5	23.5	21	35.2	25.0	9
12	12	KQ2L12-99	20.9	16	27	37.5	26	22	50.2	39.7	10
16	16	KQ2L16-99	26.5	20.9	34	53	41	25	100	(84)	42

Note 1) $\phi D1$: Max. diameter
Note 2) (): Values for soft nylon.

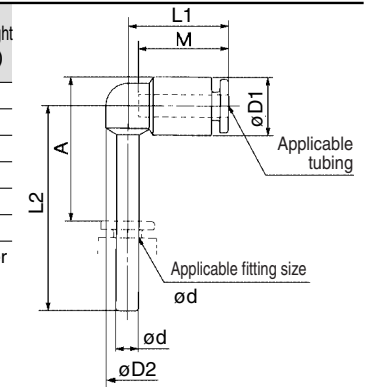


Extended Plug-in Elbow: KQ2W



Applicable tubing O.D. (mm)	Applicable fitting size ϕd	Model	Note)		L1	L2	A	M	Effective area (mm ²)		Weight (g)
			$\phi D1$	$\phi D2$					Nylon	Urethane	
3.2	3.2	KQ2W23-99	9.6	7	17.5	35	24.5	15.5	3	2.5	2
4	4	KQ2W04-99	10.4	8	18	37	26	16	4.2	4.2	3
6	6	KQ2W06-99	12.8	10	20	41.5	31	17	11.4	9.0	4
8	8	KQ2W08-99	15.2	10	22.5	48	37	18.5	21.6	14.9	6
10	10	KQ2W10-99	18.5	14	25.5	55	43.5	21	35.2	25.0	9
12	12	KQ2W12-99	20.9	16	27	59.5	48	22	50.2	39.7	13

Note) ϕD : Max. diameter

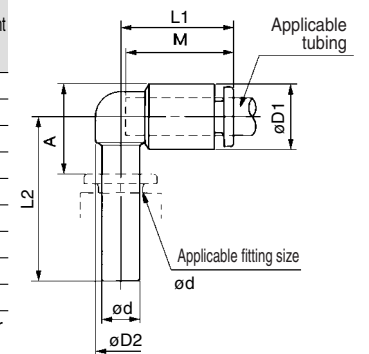


Reducer Elbow: KQ2L



Applicable tubing O.D. (mm)	Applicable fitting size ϕd	Model	Note)		L1	L2	A	M	Effective area (mm ²)		Weight (g)
			$\phi D1$	$\phi D2$					Nylon	Urethane	
3.2	4	KQ2L23-04	9.6	7	17	25	13.5	15.5	3	2.5	2
4	6	KQ2L04-06	10.4	8	18	26	14.5	16	4.2	4.2	3
	8	KQ2L04-08		35		22					
6	8	KQ2L06-08	12.8	10	19.5	30.5	18	17	11.4	9.0	12
	10	KQ2L06-10			20	38.5	24				
8	10	KQ2L08-10	15.2	12	22.5	33.5	20.5	18.5	21.6	14.9	20
	12	KQ2L08-12			23	40.5	26				
10	12	KQ2L10-12	18.5	17	26.5	42	29.5	21	35.2	25.0	29
12	16	KQ2L12-16	20.9	17	28.5	49.5	34.5	22	50.2	39.7	53








Note) $\phi D1$: Max. diameter

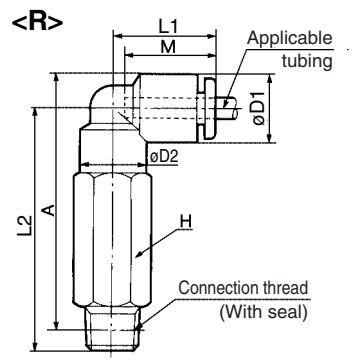
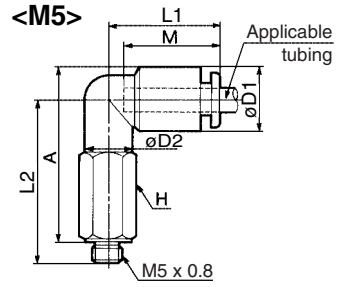


- K
- M
- H
- D
- MS
- T
- VMG

Series KQ2







Extended Male Elbow: KQ2W

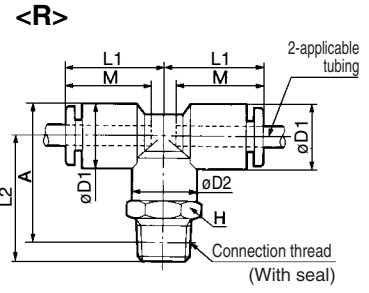
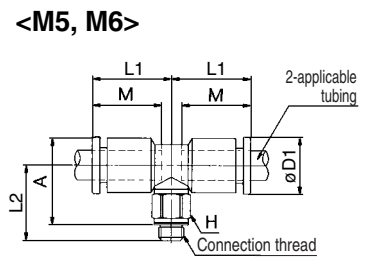
<M5>	Applicable tubing O.D. (mm)	Connection thread R	Model	H (width across flats)	⁽¹⁾		L1	L2	A*	M	Effective area ⁽²⁾ (mm ²)		Weight (g)
					øD1	øD2					Nylon	Urethane	
	3.2	M5 x 0.8	KQ2W23-M5	8	9.6	10	17.5	30	31	15.5	2.8	2.4	10
			KQ2W23-01S	10				37	38				19
			KQ2W23-02S	14				43	42				41
	4	M5 x 0.8	KQ2W04-M5	8	10.4	10	18	30	32	16	3.0	3.0	11
			KQ2W04-01S	10				37.5	38.5				23
			KQ2W04-02S	14				43.5	42.5				38
	6	M5 x 0.8	KQ2W06-M5	8	12.8	10	20	30.5	33.5	17	3	3	11
			KQ2W06-01S	10				40	42.5				26
			KQ2W06-02S	14				46	46.5				41
	6	M5 x 0.8	KQ2W06-03S	17	12.8	10	20	48	48	17	10.9	8.6	67
			KQ2W08-01S	12				43.5	47				30
			KQ2W08-02S	14				49.5	51				47
	8	M5 x 0.8	KQ2W08-03S	17	15.2	12	23	51.5	52.5	18.5	20.5	14.2	74
			KQ2W10-02S	17				56.5	59.5				66
			KQ2W10-03S	17				58.5	61				76
	10	M5 x 0.8	KQ2W10-04S	22	18.5	17	26.5	65	66	21	33.5	23.8	145
			KQ2W12-02S	17				57.5	62				68
			KQ2W12-03S	17				59.5	63.5				78
	12	M5 x 0.8	KQ2W12-04S	22	20.9	17	28.5	66	68.5	22	47.7	37.7	147
			KQ2W16-03S	22				69.5	76				101
			KQ2W16-04S	22				75	80				105
	16	M5 x 0.8	KQ2W16-03S	22	26.5	20.9	34	69.5	76	25	71	(71)	101
			KQ2W16-04S	22				75	80		105		
												100	(84)



* Reference dimensions after R thread installation.
 Note 1) øD: Max. diameter
 Note 2) (): Values for soft nylon

Male Branch Tee: KQ2T

<M5>	Applicable tubing O.D. (mm)	Connection thread R	Model	H (width across flats)	⁽¹⁾		L1	L2	A*	M	Effective area ⁽²⁾ (mm ²)		Weight (g)			
					øD1	øD2					Nylon	Urethane				
	3.2	M5 x 0.8	KQ2T23-M5	7	8.4	—	15.3	13.2	14.3	12.7	3.2	2.7	3.2			
			KQ2T23-01S	10	9.6	10	17.5	21.5	22.5	15.5	3.4	2.9	10			
			KQ2T23-02S	14	25.5	24.5	20									
	4	M5 x 0.8	KQ2T04-M5	7	9.3	—	15.6	13.7	15.3	12.7	4.5	4.5	3.5			
			KQ2T04-M6	8	14.7	15.3	12.7	4.5	4.5	4.4						
			KQ2T04-01S	10	22	23	16	6.0	4.1	13						
	4	M5 x 0.8	KQ2T04-02S	14	10.4	10	18	26	25	16	6.0	4.1	19			
			KQ2T06-M5	7	11.6	—	16.1	14.7	17.4				13.5	4.5	4.5	4.4
			KQ2T06-M6	8	15.7	15.7	13.5	4.5	5.3							
	6	M6 x 1.0	KQ2T06-01S	10	12.8	10	20	23	25.5	17	13.9	11.0	12			
			KQ2T06-02S	14	27	27.5	20									
			KQ2T06-03S	17	29	29	34									
	8	M6 x 1.0	KQ2T08-01S	12	15.2	12	23	24.5	28	18.5	26.3	18.2	14			
			KQ2T08-02S	14	28.5	30	22									
			KQ2T08-03S	17	30.5	31.5	36									
	10	M6 x 1.0	KQ2T10-01S	12	18.5	17	26.5	27	32	21	40.8	29.0	31			
			KQ2T10-02S	17				30	33				29			
			KQ2T10-03S	17				32	34.5				39			
	10	M6 x 1.0	KQ2T10-04S	22	18.5	17	26.5	36	37	21	40.8	29.0	66			
			KQ2T12-02S	17				31	35.5				31			
			KQ2T12-03S	17				33	37				41			
	12	M6 x 1.0	KQ2T12-04S	22	20.9	17	28.5	37	39.5	22	57.2	45.2	68			
			KQ2T16-03S	22	38	44.5	112									
			KQ2T16-04S	22	40.5	46	116									
	16	M6 x 1.0	KQ2T16-03S	22	26.5	20.9	34	38	44.5	25	71	(71)	112			
			KQ2T16-04S	22	40.5	46	116									
								100	(100)		116					



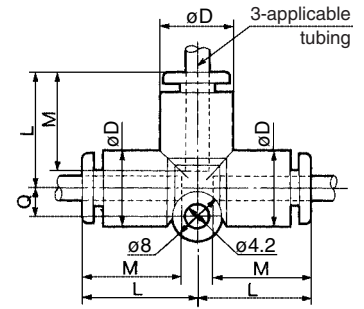
* Reference dimensions after R thread installation.
 Note 1) øD1: Max. diameter
 Note 2) (): Values for soft nylon

Union Tee: KQ2T



Applicable tubing O.D. (mm)	Model	øD ⁽¹⁾	L	Q	M	Effective area ⁽²⁾ (mm ²)		Weight (g)
						Nylon	Urethane	
3.2	KQ2T23-00	9.6	17.5	4.3	15.5	3.4	2.9	5
4	KQ2T04-00	10.4	18	4.5	16	6.4	4.4	7
6	KQ2T06-00	12.8	20	5.3	17	13.4	10.6	10
8	KQ2T08-00	15.2	23	6	18.5	25.6	17.7	15
10	KQ2T10-00	18.5	26.5	6.8	21	40	28.4	25
12	KQ2T12-00	20.9	28.5	7.5	22	57.4	45.4	29
16	KQ2T16-00	26.5	34	10	25	100	(84)	40

Note 1) øD: Max. diameter
 Note 2) (): Valves for soft nylon.

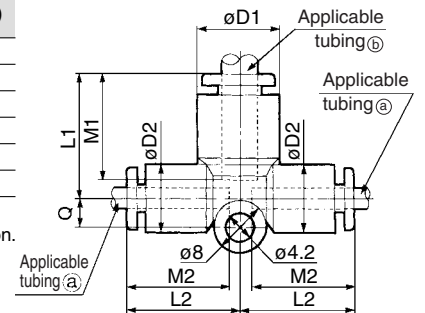


Different Diameter Tee: KQ2T



Applicable tubing O.D. (mm)		Model	øD ⁽¹⁾	øD2	L1	L2	Q	M1	M2	Effective area ⁽²⁾ (mm ²)		Weight (g)
Ⓐ	Ⓑ									Nylon	Urethane	
3.2	4	KQ2T23-04	10.4	9.6	18	17.5	4.3	16	15.5	3.8	3.5	5
4	6	KQ2T04-06	12.8	10.4	19.5	18	4.5	17	16	7.1	6.5	5
6	8	KQ2T06-08	15.2	12.8	22.5	20	5.3	18.5	17	16.4	16.4	8
8	10	KQ2T08-10	18.5	15.2	26.5	23	6	21	18.5	36	27.2	14
10	12	KQ2T10-12	20.9	18.5	28.5	26.5	6.8	22	21	56	44.5	21
12	16	KQ2T12-16	26.5	26.5	34	39	10	25	22	108.5	(92.2)	88

Note 1) øD1: Max. diameter
 Note 2) (): Values for soft nylon.

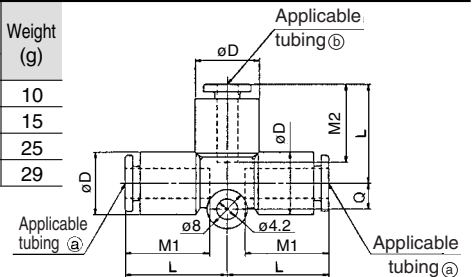


Different Diameter Tee: KQ2T



Applicable tubing O.D. (mm)		Model	øD ^{Note)}	L	Q	M1	M2	Effective area (mm ²)		Weight (g)
Ⓐ	Ⓑ							Nylon	Urethane	
6	4	KQ2T06-04	12.8	20	5.3	17	16	6.4	4.4	10
8	6	KQ2T08-06	15.2	23	6	18.5	17	13.4	10.6	15
10	8	KQ2T10-08	18.5	26.5	7.5	21	18.5	25.6	17.7	25
12	10	KQ2T12-10	20.9	28.5	7.5	22	21	40	28.4	29

Note) øD: Max. diameter

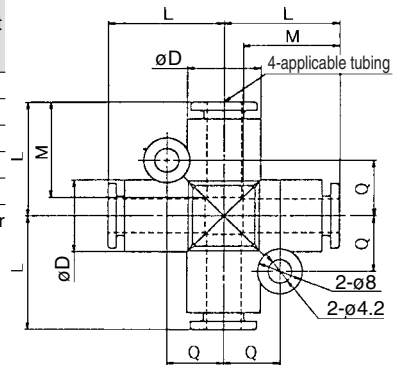


Cross: KQ2TW

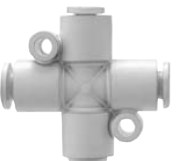


Applicable tubing O.D. (mm)	Model	øD ^{Note)}	L	Q	M	Effective area (mm ²)		Weight (g)
						Nylon	Urethane	
4	KQ2TW04-00	10.4	18	8.7	16	6.4	4.4	9
6	KQ2TW06-00	12.8	20	9.9	17	13.4	10.6	13
8	KQ2TW08-00	15.2	23	11.1	18.5	25.6	17.7	20
10	KQ2TW10-00	18.5	26.5	12.8	21	40	28.4	33
12	KQ2TW12-00	20.9	28.5	13.9	22	57.4	45.4	39

Note) øD: Max. diameter

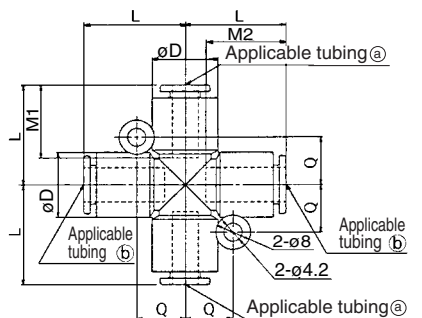


Different Diameter Cross: KQ2TX



Applicable tubing O.D. (mm)		Model	øD ^{Note)}	L	Q	M1	M2	Effective area (mm ²)		Weight (g)
Ⓐ	Ⓑ							Nylon	Urethane	
6	8	KQ2TX06-08	15.2	23	11.1	18.5	17	13.4	10.6	13
8	10	KQ2TX08-10	18.5	26.5	12.8	21	18.5	25.6	17.7	27
10	12	KQ2TX10-12	20.9	28.5	13.9	22	21	40	28.4	36

Note) øD: Max. diameter



- K□
- M□
- H□
- D□
- MS
- T□
- VMG

Series KQ2

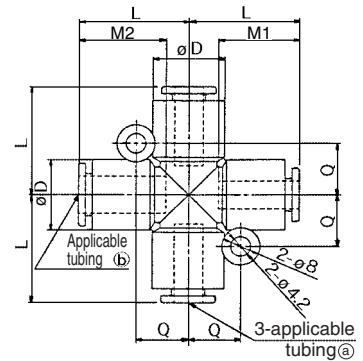
Different Diameter Cross: KQ2TY



Applicable tubing O.D. (mm)		Model	Note) ϕD	L	Q	M1	M2	Effective area (mm ²)		Weight (g)
(a)	(b)							Nylon	Urethane	
6	8	KQ2TY06-08	15.2	23	11.1	17	18.5	13.4	10.6	15
8	10	KQ2TY08-10	18.5	26.5	12.8	18.5	21	25.6	17.7	23
10	12	KQ2TY10-12	20.9	28.5	13.9	21	22	40	28.4	35



Note) ϕD : max. diameter



Male Run Tee: KQ2Y

<M5>



<M6>



<R>



Applicable tubing O.D. (mm)	Connection thread R	Model	H (width across flats)	$\phi D1$ ⁽¹⁾	$\phi D2$	L1	L2	L3	A*	M	Effective area ⁽²⁾ (mm ²)		Weight (g)
											Nylon	Urethane	
3.2	M5 x 0.8	KQ2Y23-M5	7	8.4	—	15.4	13.2	14.8	24.9	12.7	3.2	2.7	3.2
	1/8	KQ2Y23-01S	10	9.6	10	17.5	21.5	—	35	15.5	3.4	2.9	10
	1/4	KQ2Y23-02S	14				25.5	37	20				
4	M5 x 0.8	KQ2Y04-M5	7	9.3	—	15.6	13.7	14.8	25.4	12.7	4.5	4.5	3.5
	M6 x 1.0	KQ2Y04-M6	8				14.7						—
	1/8	KQ2Y04-01S	10	10.4	10	18	22	—	36	16	6.4	4.4	13
	1/4	KQ2Y04-02S	14				26	38	19				
6	M5 x 0.8	KQ2Y06-M5	7	11.6	—	17.1	14.7	17.1	28.7	13.5	4.5	4.5	4.5
	M6 x 1.0	KQ2Y06-M6	8				15.7						—
	1/8	KQ2Y06-01S	10	12.8	10	20	23	—	39	17	13.4	10.6	12
	1/4	KQ2Y06-02S	14				27	—	41				20
	3/8	KQ2Y06-03S	17	12	23	27	29	—	42.5	18.5	25.6	17.7	34
	1/8	KQ2Y08-01S	12				24.5	—	43.5				14
8	1/4	KQ2Y08-02S	14	15.2	12	23	28.5	—	45.5	21	40.0	28.4	22
	3/8	KQ2Y08-03S	17				30.5	47	36				
	1/8	KQ2Y10-01S	10	18.5	17	26.5	27	—	49.5	22	57.4	45.4	31
1/4	KQ2Y10-02S	14	30				—	50.5	29				
10	3/8	KQ2Y10-03S	17	20.9	17	28.5	32	—	52	25	81	(81)	39
	1/2	KQ2Y10-04S	22				36	—	54.5				66
	1/4	KQ2Y12-02S	17	26.5	20.9	34	31	—	53.5	25	113	(113)	31
	3/8	KQ2Y12-03S	22				37	—	57.5				68
12	1/2	KQ2Y12-04S	22	26.5	20.9	34	38	—	65.5	25	113	(113)	68
	3/8	KQ2Y16-03S	22				41	—	67				116
16	1/2	KQ2Y16-04S	22	26.5	20.9	34	41	—	67	25	113	(113)	116

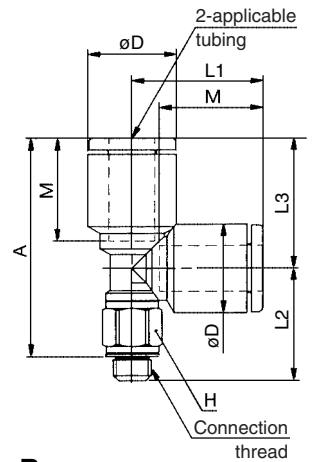


* Reference dimensions after R thread installation.

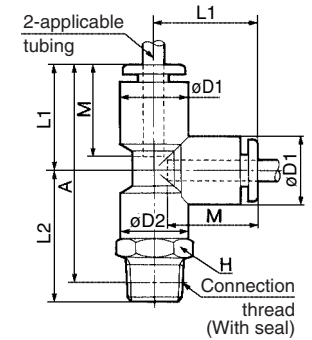
Note 1) ϕD : Max. diameter

Note 2) (): Values for soft nylon

<M5, M6>



<R>



Male Delta Union: KQ2D

<M5, M6>



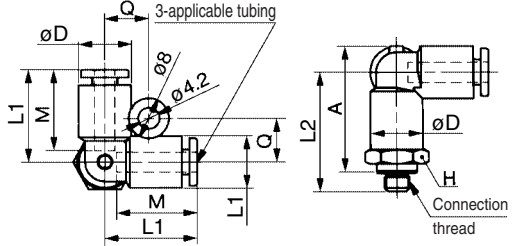
<R>



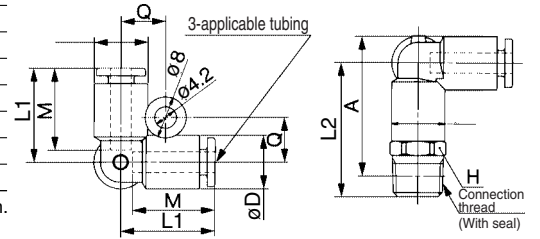
Applicable tubing O.D. (mm)	Connection thread R	Model	H (width across flats)	Note) ϕD	L1	L2	A*	M	Q	Effective area (mm ²)		Weight (g)
										Nylon	Urethane	
4	M5 x 0.8	KQ2D04-M5	11	10.4	18.5	24	25.5	16	8.7	2.2	2.2	10
	M6 x 1.0	KQ2D04-M6				24.5				4.3	4.3	
	1/8	KQ2D04-01S	26.5			6.0	6.0			12		
	1/4	KQ2D04-02S	30.5			29	29.5					
6	M5 x 0.8	KQ2D06-M5	13	12.8	20.5	26	28.5	17	9.9	4.3	4.3	12
	M6 x 1.0	KQ2D06-M6				26.5				13.9	11.0	
	1/8	KQ2D06-01S	29			31.5	33			14		
	1/4	KQ2D06-02S	32.5			33	34					
8	1/8	KQ2D08-01S	17	15.2	23.5	33.5	37	18.5	11.1	26.3	18.2	26
	1/4	KQ2D08-02S				36.5				38	35	
	3/8	KQ2D08-03S	34.5			34.5	39					
	1/2	KQ2D08-04S	37.5			38.5	40					
10	1/4	KQ2D10-02S	19	18.5	26.5	39.5	43	21	12.8	40.8	29.0	39
	3/8	KQ2D10-03S				40.5				43.5	40	
	1/2	KQ2D10-04S	44			45	62					
	1/4	KQ2D12-02S	42			46.5	55					
12	3/8	KQ2D12-03S	22	20.9	28.5	43	47	22	13.9	57.2	45.2	56
	1/2	KQ2D12-04S				46				48.5	63	

* Reference dimensions after R thread installation.
Note) ϕD : Max. diameter

<M5, M6>



<R>



K□

M□

H□

D□

MS

T□

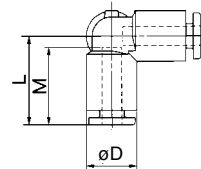
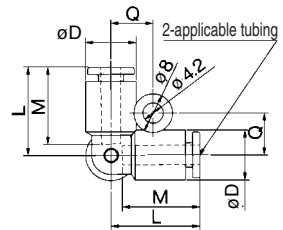
VMG

Delta Union: KQ2D



Applicable tubing O.D. (mm)	Model	Note) ϕD	L	Q	M	Effective area (mm ²)		Weight (g)
						Nylon	Urethane	
4	KQ2D04-00	10.4	18.5	8.7	16	6.0	4.1	5
6	KQ2D06-00	12.8	20.5	9.9	17	13.9	11.0	7
8	KQ2D08-00	15.2	23.5	11.1	18.5	26.3	18.2	11
10	KQ2D10-00	18.5	26.5	12.8	21	40.8	29.0	19
12	KQ2D12-00	20.9	28.5	13.9	22	57.2	45.2	24

Note) ϕD : Max. diameter



Branch "Y": KQ2U

<M5, M6>



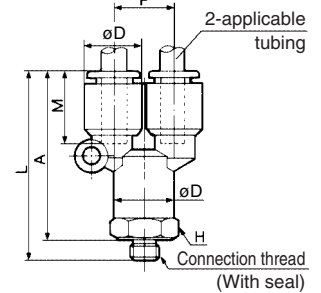
<R>



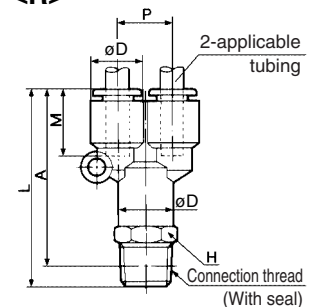
Applicable tubing O.D. (mm)	Connection thread R	Model	H (width across flats)	ϕD (1)	L	P	A*	M	Effective area (2) (mm ²)		Weight (g)
									Nylon	Urethane	
3.2	M5 x 0.8	KQ2U23-M5	10	9.6	38	9.6	34.5	15.5	2.2	2.2	9
	1/8	KQ2U23-01S	11		41		37		3.4	2.9	
	1/4	KQ2U23-02S	14		44		38				
4	M5 x 0.8	KQ2U04-M5	11	10.4	39.5	10.4	36	16	2.2	2.2	4
	M6 x 1.0	KQ2U04-M6			40		38		4.2	4.2	
	1/8	KQ2U04-01S	42		40		11				
	1/4	KQ2U04-02S	46		40				20		
6	M5 x 0.8	KQ2U06-M5	13	12.8	42.5	12.8	39	17	2.2	2.2	12
	M6 x 1.0	KQ2U06-M6			43		41.5		13.4	10.6	
	1/8	KQ2U06-01S	45.5		43		11				
	1/4	KQ2U06-02S	49		44.5				21		
8	3/8	KQ2U06-03S	17	51	34						
	1/8	KQ2U08-01S	17	15.2	52.5	15.2	48.5	18.5	25.6	17.7	15
	1/4	KQ2U08-02S			55.5		49.5		23		
3/8	KQ2U08-03S	56.5	50		35						
10	1/4	KQ2U10-02S	19		18.5		61		18.5	55	21
	3/8	KQ2U10-03S		62		55.5	40	28.4			
	1/2	KQ2U10-04S	65	57		65					
	1/4	KQ2U12-02S	64.5	58.5		32					
12	3/8	KQ2U12-03S	22	20.9	65.5	20.9	59	22	57.4	45.4	40
	1/2	KQ2U12-04S			68.5		60.5		65		
	3/8	KQ2U16-03S	76		69.5		106				
16	1/2	KQ2U16-04S	79		71		111				

* Reference dimensions after R thread installation.
Note 1) $\phi D1$: Max. diameter
Note 2) (): Values for soft nylon

<M5, M6>



<R>



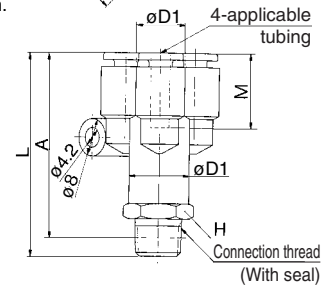
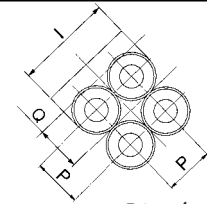
Series KQ2

Delta Branch: KQ2UD



Applicable tubing O.D. (mm)	Connection thread R	Model	H (width across flats)	Note) $\phi D1$	$\phi D2$	L	I	A*	Q	M	P	Effective area (mm ²)		Weight (g)
												Nylon	Urethane	
4	1/8	KQ2UD04-01S	13	10.4	12.8	43.5	21	39.5	9.7	16	10.4	4.2	4.2	17
	1/4	KQ2UD04-02S	14			47		41				25		
6	1/8	KQ2UD06-01S	17	12.8	15.2	50.5	26	46.5	11.7	17	12.8	13.4	10.6	29
	1/4	KQ2UD06-02S	18			53.5		47.5				29		

* Reference dimensions after R thread installation.
Note) $\phi D1$: Max. diameter

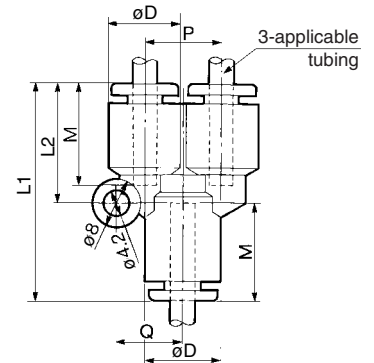


Union "Y": KQ2U



Applicable tubing O.D. (mm)	Model	$\phi D^{(1)}$	L1	L2	P	Q	M	Effective area (mm ²) ⁽²⁾		Weight (g)
								Nylon	Urethane	
3.2	KQ2U23-00	9.6	33	17.5	9.6	9	15.5	3.4	2.9	5
4	KQ2U04-00	10.4	34	18	10.4	9.7	16	4.2	4.2	7
6	KQ2U06-00	12.8	37	20	12.8	11.7	17	13.4	10.6	9
8	KQ2U08-00	15.2	42.5	24.5	15.2	13.7	18.5	25.6	17.7	11
10	KQ2U10-00	18.5	48	27.5	18.5	16.1	21	40	28.4	16
12	KQ2U12-00	20.9	51	30	20.9	18.1	22	57.4	45.4	23
16	KQ2U16-00	26.5	61.5	36.5	26.5	23	25	113	(96)	54

Note 1) ϕD : Max. diameter
Note 2) (): Values for soft nylon.

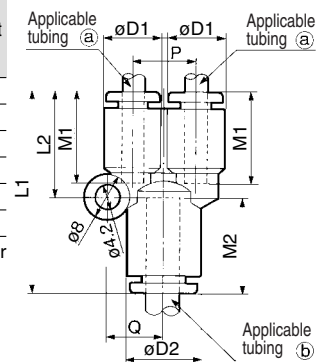


Different Diameter Union "Y": KQ2U



Applicable tubing O.D. (mm)		Model	Note) $\phi D1$	Note) $\phi D2$	L1	L2	P	Q	M1	M2	Effective area (mm ²)		Weight (g)
Ⓐ	Ⓑ										Nylon	Urethane	
3.2	4	KQ2U23-04	9.6	10.4	33.5	17.5	9.6	9	15.5	16	3.2	2.7	5
4	6	KQ2U04-06	10.4	12.8	35	18	10.4	9.7	16	17	4.2	4.2	6
6	8	KQ2U06-08	12.8	15.2	39.5	20	12.8	11.7	17	18.5	13.4	10.6	11
8	10	KQ2U08-10	15.2	18.5	45	24.5	15.2	13.7	18.5	21	25.6	17.7	18
10	12	KQ2U10-12	18.5	20.9	49	27.5	18.5	16.1	21	22	40	28.4	27
12	16	KQ2U12-16	26.5	26.5	66.5	41.5	26.5	23	22	25	57.4	45.4	100

Note) $\phi D1, \phi D2$: Max. diameter

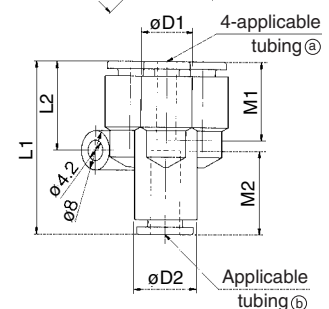
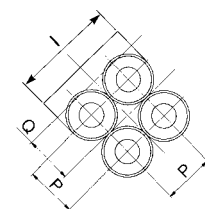


Different Diameter Double Union "Y": KQ2UD



Applicable tubing O.D. (mm)		Model	Note) $\phi D1$	Note) $\phi D2$	L1	L2	P	I	Q	M1	M2	Effective area (mm ²)		Weight (g)
Ⓐ	Ⓑ											Nylon	Urethane	
4	6	KQ2UD04-06	10.4	12.8	35.5	18.2	10.4	21	9.7	16	17	4.2	4.2	10
6	8	KQ2UD06-08	12.8	15.2	40.5	20.3	12.8	26	11.7	17	18.5	13.4	10.6	17

Note) $\phi D1, \phi D2$: Max. diameter

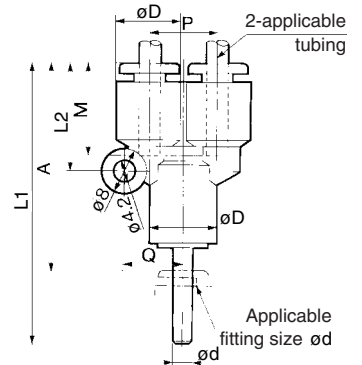


Plug-in "Y": KQ2U



Applicable tubing O.D. (mm)	Application fitting ϕd	Model	(1)		L1	L2	P	Q	A	M	Effective area (mm ²) (2)		Weight (g)
			ϕD								Nylon	Urethane	
3.2	3.2	KQ2U23-99	9.6	50	17.5	9.6	9	35	15.5		3.4	2.9	6
4	4	KQ2U04-99	10.4	51.5	18	10.4	9.7	35.5	16		4.2	4.2	12
6	6	KQ2U06-99	12.8	55.5	20	12.8	11.7	38.5	17		13.4	10.6	18
8	8	KQ2U08-99	15.2	64.5	24.5	15.2	13.7	46	18.5		25.6	17.7	21
10	10	KQ2U10-99	18.5	71.5	27.5	18.5	16.1	50.5	21		40	28.4	26
12	12	KQ2U12-99	20.9	75.5	30	20.9	18.1	53.5	22		57.4	45.4	32
16	16	KQ2U16-99	26.5	90	36.5	26.5	23	65	25		113	(96)	78

Note 1) ϕD : Max. diameter
 Note 2) (): Values for soft nylon.

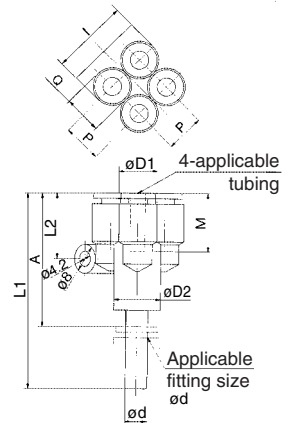


Double Plug-in "Y": KQ2XD



Applicable tubing O.D. (mm)	Application fitting Fitting size ϕd	Model	Note)		L1	L2	I	Q	A	P	M	Effective area (mm ²)		Weight (g)
			$\phi D1$	$\phi D2$								Nylon	Urethane	
4	6	KQ2XD04-06	10.4	12.8	54	18.2	21	9.7	37	10.4	16	4.2	4.2	10
6	8	KQ2XD06-08	12.8	15.2	62.5	20.3	26	11.7	44	12.8	17	13.4	10.6	23

Note) $\phi D1$: Max. diameter

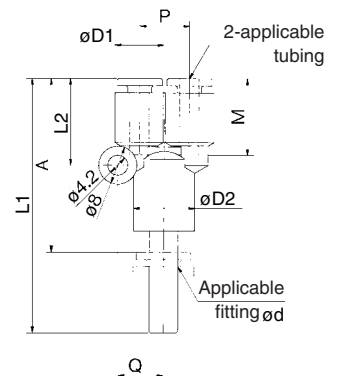


Different Diameter Plug-in "Y": KQ2X



Applicable tubing O.D. (mm)	Application fitting Fitting size ϕd	Model	Note)		L1	L2	A	P	Q	M	Effective area (mm ²)		Weight (g)
			$\phi D1$	$\phi D2$							Nylon	Urethane	
4	6	KQ2X04-06	10.4	12.8	53.5	18.5	36.5	10.4	9.7	16	4.2	4.2	7
6	8	KQ2X06-08	12.8	15.2	61.5	20.5	43	12.8	11.7	17	13.4	10.6	18
8	10	KQ2X08-10	15.2	18.5	68.5	24.5	47.5	15.2	13.7	18.5	25.6	17.7	28
10	12	KQ2X10-12	18.5	20.9	73.5	27.5	51.5	18.5	16.1	21	40	28.4	42

Note) $\phi D1$: Max. diameter



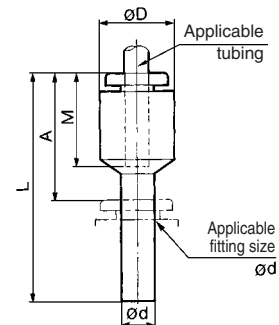
- K
- M
- H
- D
- MS
- T
- VMG

Series KQ2

Plug-in Reducer: KQ2R



Applicable tubing O.D. (mm)	Applicable fitting size ϕd	Model	ϕD ⁽¹⁾	L	A	M	Effective area ⁽²⁾ (mm ²)		Weight (g)		
							Nylon	Urethane			
3.2	4	KQ2R23-04	9.6	33.5	18.5	15.5	3.4	2.9	2		
4	6	KQ2R04-06	10.4	34.5	17.5	16	5.6	4	1.8		
	8	KQ2R04-08		36.5	18				2.0		
	10	KQ2R04-10	12.8	39.5	18.5				3.3		
6	4	KQ2R06-04	12.8	37	21	17	4	4	2.5		
	8	KQ2R06-08	12.8	37	18.5				13.1	10.4	2.5
	10	KQ2R06-10		39.5	18.5						3
	12	KQ2R06-12	15.2	42	20				4.7		
8	10	KQ2R08-10	15.2	41	20	18.5	26.1	18.0	4.0		
	12	KQ2R08-12		42					4.6		
10	12	KQ2R10-12	18.5	44.5	23	21	41.5	32.8	33		
	16	KQ2R10-16	20.9	50.5	25.5				(29.5)	42	
12	16	KQ2R12-16	20.9	50.5	25.5	22	58.3	(46.1)	37		

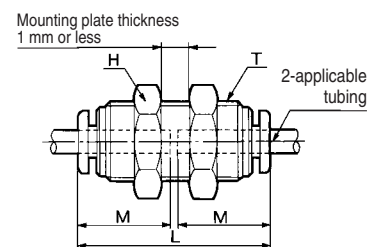


Note 1) ϕD : Max. diameter
 Note 2) (): Values for soft nylon.

Bulkhead Union: KQ2E



Applicable tubing O.D. (mm)	Model	T (M)	H (width across flats)	L	Mounting hole	M	Effective area ^{Note)} (mm ²)		Weight (g)
							Nylon	Urethane	
3.2	KQ2E23-00	M12 x 1	14	31.5	13	15.5	3.4	2.9	26
4	KQ2E04-00	M12 x 1	14	32.5	13	16	5.6	4	26
6	KQ2E06-00	M14 x 1	17	34.5	15	17	13.1	10.4	33
8	KQ2E08-00	M16 x 1	19	38	17	18.5	26.1	18.0	52
10	KQ2E10-00	M20 x 1	24	42.5	21	21	41.5	29.5	70
12	KQ2E12-00	M22 x 1	27	44	23	22	58.3	46.1	90
16	KQ2E16-00	M28 x 1.5	32	51	29	25	113	(96)	115

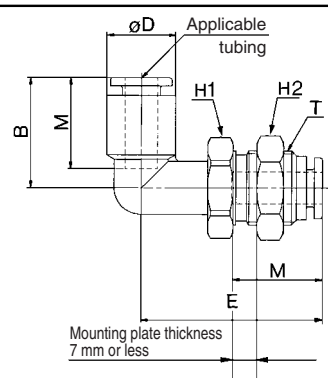


Note) (): Values for soft nylon.

Bulkhead Male Elbow: KQ2LE



Applicable tubing O.D. (mm)	Model	T	H1 (Hex. across flats)	H2 (Hex. across flats)	B	E	Note) ϕD	Mounting hole	M	Effective area ^{Note)} (mm ²)		Weight (g)
										Nylon	Urethane	
4	KQ2LE04-00	M12 x 1	14	14	18.5	31	10.4	13	16	4.2	4.2	18
6	KQ2LE06-00	M14 x 1	17	17	20.5	34	12.8	15	17	11.4	9.0	25
8	KQ2LE08-00	M16 x 1	17	19	23.5	38.5	15.2	17	18.5	21.6	14.9	33
10	KQ2LE10-00	M20 x 1	22	24	26.5	43.5	18.5	21	21	35.2	25.0	63
12	KQ2LE12-00	M22 x 1	24	27	28.5	45.5	20.9	23	22	50.2	39.7	77

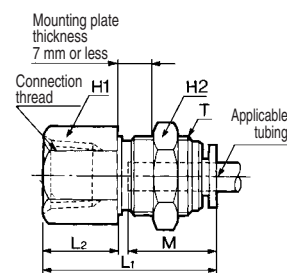


Note) ϕD : Max. diameter

Bulkhead Connector: KQ2E



Applicable tubing O.D. (mm)	Connection thread Rc	Model	T (M)	H1 (Hex. across flats)	H2 (Hex. across flats)	L1	L2	Mounting hole	M	Effective area ^{Note)} (mm ²)		Weight (g)			
										Nylon	Urethane				
3.2	1/4	KQ2E23-02	M12 x 1	17	14	31.5	15	13	15.5	3.4	2.9	13			
4	1/8	KQ2E04-01	M12 x 1	14	14	27.5	11	13	16	5.6	4	16			
	1/4	KQ2E04-02											31	15	35
6	1/8	KQ2E06-01	M14 x 1	17	17	28	11	15	17	13.1	10.4	25			
	1/4	KQ2E06-02											31.5	15	40
	3/8	KQ2E06-03											33.5	17	29
8	1/8	KQ2E08-01	M16 x 1	17	19	27.5	7.5	17	18.5	26.1	18.0	28			
	1/4	KQ2E08-02											33	13	27
	3/8	KQ2E08-03											35	15	48
10	1/4	KQ2E10-02	M20 x 1	22	24	34.5	12.5	21	21	41.5	29.5	53			
	3/8	KQ2E10-03											36.5	15	67
12	3/8	KQ2E12-03	M22 x 1	24	27	37	14	23	22	58.3	46.1	92			
	1/2	KQ2E12-04											41	18	59
16	3/8	KQ2E16-03	M28 x 1.5	30	32	40	14	29	25	96	(96)	127			
	1/2	KQ2E16-04											44	18	113

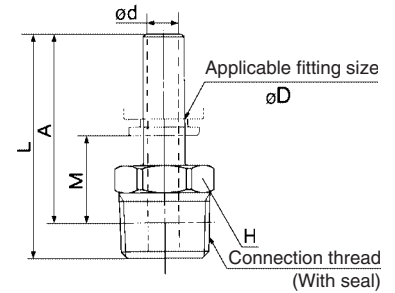


Note) (): Values for soft nylon.

Adaptor: KQ2N



Applicable fitting size ϕd	Connection thread R	Model	H (width across flats)	L	A*	M	ϕd	Weight (g)
4	M5 x 0.8	KQ2N04-M5	7	32	29	13	2.5	2
	1/8	KQ2N04-01S	10	34	30	14		6
6	M5 x 0.8	KQ2N06-M5	7	33	30	13	2.5	2
	1/8	KQ2N06-01S	10	35	31	14		5
	1/4	KQ2N06-02S	14	37.5	31.5	14.5	14	
8	1/4	KQ2N08-02S	14	39	33	14.5	6	17
	3/8	KQ2N08-03S	17	41	34.5	16		30
10	3/8	KQ2N10-03S	17	46	39.5	18.5	7.5	31

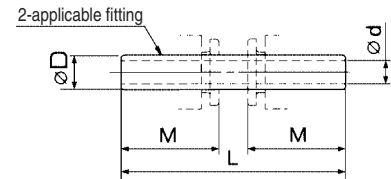


Nipple: KQ2N

* Reference dimensions after R thread is screwed in.



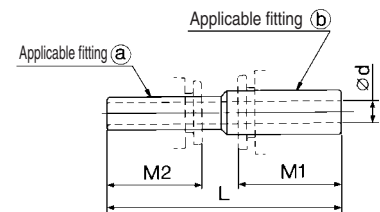
Applicable fitting ϕD	Model	L	M	ϕd	Weight (g)
4	KQ2N04-99	37	16	2.5	1
6	KQ2N06-99	39	17	4	2
8	KQ2N08-99	43	18.5	6	2
10	KQ2N10-99	49	21	7.5	4
12	KQ2N12-99	52	22	9	20.6
16	KQ2N16-99	57	25	13	31



Reducer Nipple: KQ2N



Applicable fitting		Model	L	M1	M2	ϕd	Weight (g)
(a)	(b)						
4	6	KQ2N04-06	38	17	16	2.5	2
6	8	KQ2N06-08	42	18.5	17	4	2
8	10	KQ2N08-10	47	21	18.5	6	13.2
10	12	KQ2N10-12	51	22	21	8	18.2
12	16	KQ2N12-16	55	25	22	9	29

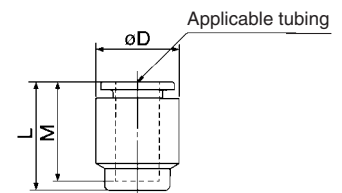


Tube Cap: KQ2C

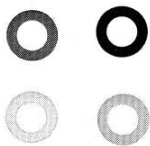


Applicable tubing O.D. (mm)	Model	Note) ϕD	L	M	Weight (g)
4	KQ2C04-00	10.4	17	16	3
6	KQ2C06-00	12.8	18.5	17	3
8	KQ2C08-00	15.2	20.5	18.5	4
10	KQ2C10-00	18.5	23	21	6
12	KQ2C12-00	20.9	24	22	8
16	KQ2C16-00	26.5	28	25	13

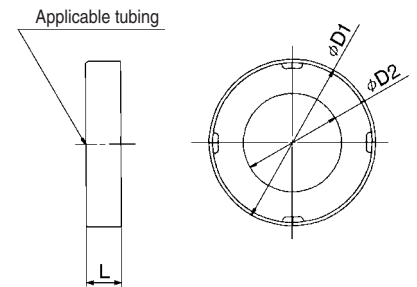
Note) ϕD : Max. diameter



Color Cap: KQ2C



Applicable tubing O.D. (mm)	Model	$\phi D1$	$\phi D2$	L	Weight (g)	Application
4	KQ2C-04 □	10.1	5.2	2.9	0.1	
4	KQ2C-04A- □	8.5	5	2.2	0.1	KQH, KQ2H04-M5, M6 KQS, KQ2S04-M5, M6
4	KQ2C-04B- □	9.7	5	2.2	0.1	KQL, KQ2L04-M5, M6 KQT, KQ2T04-M5, M6 KQY, KQ2Y04-M5, M6
6	KQ2C-06 □	12.1	7.2	2.9	0.1	
6	KQ2C-06A- □	10.5	7	2.2	0.1	KQH, KQ2H06-M5, M6 KQS, KQ2S06-M5, M6
6	KQ2C-06B- □	12.0	7	2.2	0.1	KQL, KQ2L06-M5, M6 KQT, KQ2T06-M5, M6 KQY, KQ2Y06-M5, M6
8	KQ2C-08 □	14.1	9.2		0.1	
10	KQ2C-10 □	17.1	11.2	2.9	0.2	
12	KQ2C-12 □	19.1	13.2		0.2	
16	KQ2C-16 □	26.3	17.2	3.9	0.3	



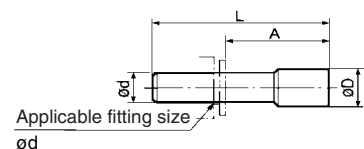
□ → B (Black), R (Red), YR (Orange), BR (Brown), Y (Yellow), G (Green), CB (Sky blue), GR (Gray), W (White), BU (Blue)

Plug: KQ2P, KQP



Applicable fitting size ϕd	Model (Note)		ϕD	L	A	Weight (g)
3.2	KQ2P-23	KQP-23	5	31.5	16	1
4	KQ2P-04	KQP-04	6	32	16	1
6	KQ2P-06	KQP-06	8	35	18	1
8	KQ2P-08	KQP-08	10	39	20.5	2
10	KQ2P-10	KQP-10	12	43	22	3.5
12	KQ2P-12	KQP-12	14	45.5	24	5
16	KQ2P-16	KQP-16	20.9	47	22	8

Note) KQ2P (White), KQP (Blue)



Series KQ2

Made to Order Specifications:

Please consult with SMC for detailed specifications, dimensions and delivery.

1. Oil-free applications using Vaseline®

For use in oil-free applications, for example, paint air lines.

Specifications Same as Series KQ2.

Dimensions Same as Series KQ2.

How to Order Add "-X12" at the end of the standard part number.
(Example: KQ2H06-02-**X12**)

2. Stainless One-touch fittings

For use in highly corrosive atmospheres where brass is not acceptable.

Specifications Same as Series KQ2.

Dimensions Same as Series KQ2. (Some may be different, please consult with SMC)

Materials
in each part

Body*	Stainless steel □, PBT
Stud*	Stainless steel □ (Thread portion)
Chuck	Stainless steel 304
Guide*	Stainless steel □, POM
Collet, Release button	POM
Seal, O-ring	NBR

* Every one of Stainless steel 303, Stainless steel 304 and Stainless steel 316 is possible to use.

How to Order Please consult with SMC.

