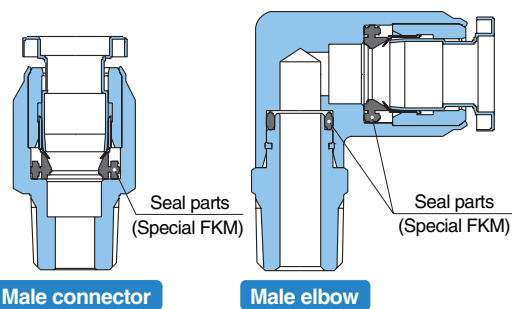


All Stainless steel 316 except seal parts



Specifications

Operating fluid	Air, Water, Steam <small>Note 1)</small>
Operating pressure range <small>Note 2)</small>	-14.5 to 145psi (-100kPa to 1.0MPa)
Proof pressure	435psi (3.0MPa)
Ambient and fluid temperature <small>Note 3)</small>	23 to 302°F (-5 to 150°C) (With no freezing)
Operating	Non-grease/Non-Lubricated
Sealant (Thread portion)	With sealant

Note1) Standard seal (special FKM compound) is suitable for steam use.

Note2) KQG fittings are not recommended for vacuum retention, such as leakage testers, because zero leakage is not guaranteed.

Note3) 248°F (120°C) for extended periods of time, use of an inner tube support sleeve is recommended.

Applicable tube

Tube material <small>Note4)</small>	FEP, PFA, Nylon, Soft nylon Polyurethane, Polyolefin	
Tube O. D.	Inch	ø5/32", ø1/4", ø5/16", ø3/8", ø1/2"
	Metric	ø4, ø6, ø8, ø10, ø12

Note 4) When using polyurethane tubing in dynamic applications, use of an inner tube support sleeve is recommended.

Tube size	Tube model										Applicable inner sleeve	
	TU	TIUB	TUS	T	TIA	TH	TIH	TL	TIL	Model	Length	
0402	—	—	—	—	—	—	—	—	—	TJ-0402	18	
0425	—	—	—	—	—	—	—	—	—	TJ-0425	18	
0403	—	—	—	—	—	—	—	—	—	TJ-0403	18	
0604	—	—	—	—	—	—	—	—	—	TJ-0604	19	
0645	—	—	—	—	—	—	—	—	—	—	—	
0805	—	—	—	—	—	—	—	—	—	TJ-0805	20.5	
0806	—	—	—	—	—	—	—	—	—	TJ-0806	20.5	
1065	—	—	—	—	—	—	—	—	—	TJ-1065	23	
1075	—	—	—	—	—	—	—	—	—	TJ-1075	23	
1008	—	—	—	—	—	—	—	—	—	TJ-1208	24	
1208	—	—	—	—	—	—	—	—	—	—	—	
1209	—	—	—	—	—	—	—	—	—	TJ-1209	24	
1210	—	—	—	—	—	—	—	—	—	TJ-1210	24	
05	—	—	—	—	—	—	—	—	—	—	—	
07	—	—	—	—	—	—	—	—	—	—	—	
11	—	—	—	—	—	—	—	—	—	—	—	
13	—	—	—	—	—	—	—	—	—	—	—	

Note) Inner sleeve is not available for inch sizes.

Locations in North America

- Atlanta
 - Indianapolis [M]
 - Richmond
 - Austin
 - Los Angeles [M]
 - Rochester
 - Boston
 - Milwaukee
 - San Francisco
 - Charlotte
 - Minneapolis
 - St. Louis
 - Chicago
 - Montreal
 - Tampa
 - Cincinnati
 - Nashville
 - Toronto [M]
 - Cleveland
 - New Jersey
 - Vancouver
 - Dallas
 - Phoenix
 - Windsor
 - Detroit
 - Portland
- [M] = Manufacturing

Locations Worldwide!

The Americas

- Argentina
- Bolivia
- Brazil
- Canada
- Chile
- Mexico
- U.S.A.
- Venezuela

Europe

- Austria
- Bulgaria
- Croatia
- Czech
- Denmark
- Estonia
- Finland
- France
- Germany
- Hungary
- Ireland
- Italy
- Latvia
- Netherlands
- Norway
- Poland
- Romania
- Russia
- Slovakia
- Slovenia
- Sweden
- Spain/Portugal
- Switzerland
- U.K.

Asia

- China
- Hong Kong
- India
- Japan
- Malaysia
- Philippines
- South Korea
- Singapore
- Taiwan
- Thailand

Oceania

- Australia
- New Zealand



SMC Corporation of America
3011 N. Franklin Road
Indianapolis IN 46226

1-800-762-7621 (1-800-SMC-SMC1)
www.smcusa.com

SMC Pneumatics (Canada) Ltd.
6768 Financial Drive Mississauga
Ontario L5N 7J6 Canada

(905) 812-0400
www.smc Pneumatics.ca

© 2005 SMC Corporation of America, All Rights Reserved.

All reasonable efforts to ensure the accuracy of the information detailed in this catalog were made at the time of publishing. However, SMC can in no way warrant the information herein contained as specifications are subject to change without notice.

SEP05-JBS25M-LA



SUS316

Stainless steel 316

One-touch Fittings

Series KQG



Superior Resistance to Heat and Chemicals

SUS316 Stainless Steel

One-touch Fittings



KQGT Branch Tee (Male Branch Tee)



Applicable tube O.D. inch	Port size NPT	Model KQGT	Applicable tube O.D. mm	Port size R	Model KQGT
5/32	10-32UNF	KQGT03-32	4	M5	KQGT04-M5
	1/8	KQGT03-N01S		1/8	KQGT04-01S
1/4	10-32UNF	KQGT07-32	6	M5	KQGT06-M5
	1/8	KQGT07-N01S		1/8	KQGT06-01S
	1/4	KQGT07-N02S		1/4	KQGT06-02S
5/16	1/8	KQGT09-N01S	8	1/8	KQGT08-01S
	1/4	KQGT09-N02S		1/4	KQGT08-02S
	3/8	KQGT09-N03S		3/8	KQGT08-03S
3/8	1/4	KQGT11-N02S	10	1/4	KQGT10-02S
	3/8	KQGT11-N03S		3/8	KQGT10-03S
1/2	3/8	KQGT13-N03S	12	3/8	KQGT12-03S
	1/2	KQGT13-N04S		1/2	KQGT12-04S

KQGS Internal Hexagon Socket Head Male Connector



Applicable tube O.D. inch	Port size NPT	Model KQGS	Applicable tube O.D. mm	Port size R	Model KQGS
5/32	10-32UNF	KQGS03-32	4	M5	KQGS04-M5
	1/8	KQGS03-N01S		1/8	KQGS04-01S
1/4	10-32UNF	KQGS07-32	6	M5	KQGS06-M5
	1/8	KQGS07-N01S		1/8	KQGS06-01S
	1/4	KQGS07-N02S		1/4	KQGS06-02S
5/16	1/8	KQGS09-N01S	8	1/8	KQGS08-01S
	1/4	KQGS09-N02S		1/4	KQGS08-02S
	3/8	KQGS09-N03S		3/8	KQGS08-03S
3/8	1/4	KQGS11-N02S	10	1/4	KQGS10-02S
	3/8	KQGS11-N03S		3/8	KQGS10-03S
1/2	3/8	KQGS13-N03S	12	3/8	KQGS12-03S
	1/2	KQGS13-N04S		1/2	KQGS12-04S

KQGH Straight Union



Applicable tube O.D. inch	Model KQGH	Applicable tube O.D. mm	Model KQGH
5/32	KQGH03-00	4	KQGH04-00
1/4	KQGH07-00	6	KQGH06-00
5/16	KQGH09-00	8	KQGH08-00
3/8	KQGH11-00	10	KQGH10-00
1/2	KQGH13-00	12	KQGH12-00

KQGT Union Tee



Applicable tube O.D. inch	Model KQGT	Applicable tube O.D. mm	Model KQGT
5/32	KQGT03-00	4	KQGT04-00
1/4	KQGT07-00	6	KQGT06-00
5/16	KQGT09-00	8	KQGT08-00
3/8	KQGT11-00	10	KQGT10-00
1/2	KQGT13-00	12	KQGT12-00

KQGL Union Elbow



Applicable tube O.D. inch	Model KQGL	Applicable tube O.D. mm	Model KQGL
5/32	KQGL03-00	4	KQGL04-00
1/4	KQGL07-00	6	KQGL06-00
5/16	KQGL09-00	8	KQGL08-00
3/8	KQGL11-00	10	KQGL10-00
1/2	KQGL13-00	12	KQGL12-00

KQGU Branch "Y"



Applicable tube O.D. inch	Model KQGU	Applicable tube O.D. mm	Model KQGU
5/32	KQGU03-00	4	KQGU04-00
1/4	KQGU07-00	6	KQGU06-00
5/16	KQGU09-00	8	KQGU08-00
3/8	KQGU11-00	10	KQGU10-00
1/2	KQGU13-00	12	KQGU12-00

KQGH Male Connector



Applicable tube O.D. inch	Port size NPT	Model	Applicable tube O.D. mm	Port size R	Model
		KQGH			KQGH
5/32	10-32UNF	KQGH03-32	4	M5	KQGH04-M5
	1/8	KQGH03-N01S		1/8	KQGH04-01S
1/4	10-32UNF	KQGH07-32	6	M5	KQGH06-M5
	1/8	KQGH07-N01S		1/8	KQGH06-01S
	1/4	KQGH07-N02S		1/4	KQGH06-02S
5/16	1/8	KQGH09-N01S	8	1/8	KQGH08-01S
	1/4	KQGH09-N02S		1/4	KQGH08-02S
	3/8	KQGH09-N03S		3/8	KQGH08-03S
3/8	1/4	KQGH11-N02S	10	1/4	KQGH10-02S
	3/8	KQGH11-N03S		3/8	KQGH10-03S
1/2	3/8	KQGH13-N03S	12	3/8	KQGH12-03S
	1/2	KQGH13-N04S		1/2	KQGH12-04S

KQGE Bulkhead Union



Applicable tube O.D. inch	Model KQGE	Applicable tube O.D. mm	Model KQGE
5/32	KQGE03-00	4	KQGE04-00
1/4	KQGE07-00	6	KQGE06-00
5/16	KQGE09-00	8	KQGE08-00
3/8	KQGE11-00	10	KQGE10-00
1/2	KQGE13-00	12	KQGE12-00

KQGL Male Elbow



Applicable tube O.D. inch	Port size NPT	Model	Applicable tube O.D. mm	Port size R	Model
		KQGL			KQGL
5/32	10-32UNF	KQGL03-32	4	M5	KQGL04-M5
	1/8	KQGL03-N01S		1/8	KQGL04-01S
1/4	10-32UNF	KQGL07-32	6	M5	KQGL06-M5
	1/8	KQGL07-N01S		1/8	KQGL06-01S
	1/4	KQGL07-N02S		1/4	KQGL06-02S
5/16	1/8	KQGL09-N01S	8	1/8	KQGL08-01S
	1/4	KQGL09-N02S		1/4	KQGL08-02S
	3/8	KQGL09-N03S		3/8	KQGL08-03S
3/8	1/4	KQGL11-N02S	10	1/4	KQGL10-02S
	3/8	KQGL11-N03S		3/8	KQGL10-03S
1/2	3/8	KQGL13-N03S	12	3/8	KQGL12-03S
	1/2	KQGL13-N04S		1/2	KQGL12-04S