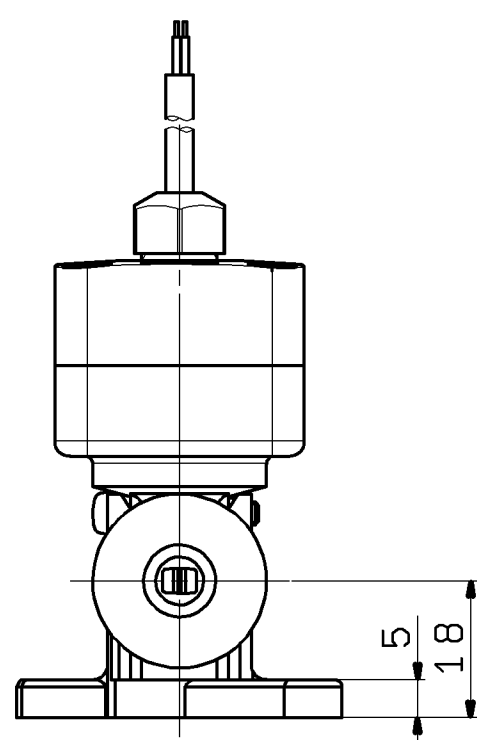
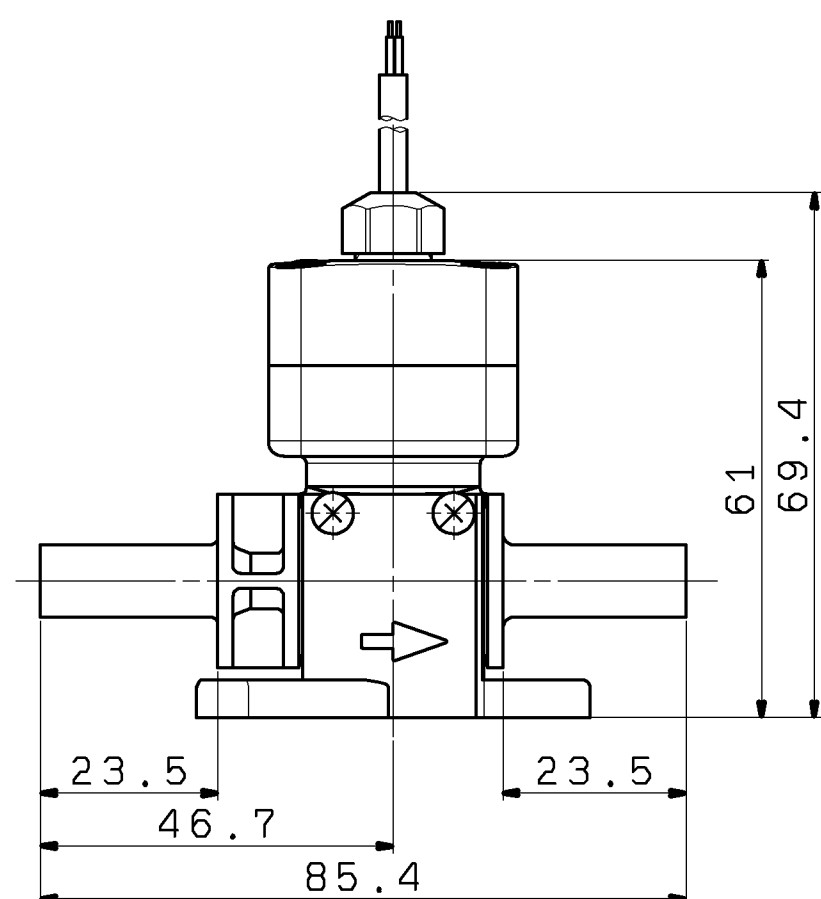
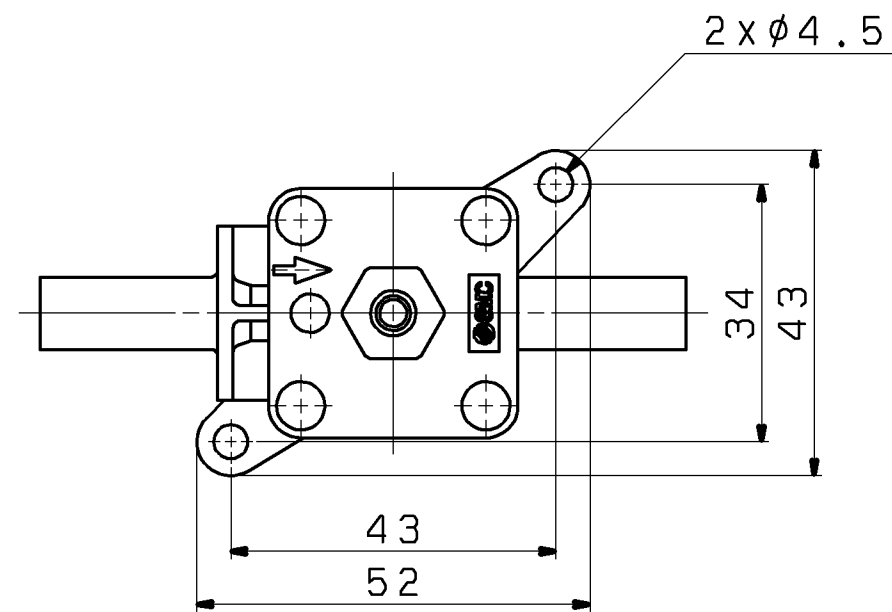


ON 9MO



How to order

LFK 30-T11 - * - * - B

Fluid range •
30 | 0.4 to 4L/min

Fitting •
Symbol | Tube O.D
T11 | 3/8"

•Option
Nil | With out bracket
B | With bracket

•Option
Nil | NONE
C | e-con connectorx1pc.
M | MB connector

•Output spec
1 | Voltage output
2 | Current output

Specification

Model No.	LFK30-T11-1-*(-B)	LFK30-T11-2-*(-B)
Fluid	Pure water or liquid not to corrode Teflon(Viscosity 3mPa·s or less)	
Measuring fluid range	0.4 to 4L/min	
Operating pressure range	0 to 1MPa *Note1	
Fluid temperature	0 to 90°C	
Linerarity	±2%F.S. or less (25°C water)	
Repeatability	±1%F.S. or less(25°C water)	
Temp.characteristic	±5%F.S. or less(0 to 50°C, 25°C standard)	
Analog output *Refer to Figure2	Output voltage:1 to 5V, Output impedance:1kΩ	Output current:4 to 20mA, Max. load impedance:300Ω for 12VDC, 600Ω for 24VDC
Source voltage	DC12~24V ripple ±10% or less	
Protection structure	IP65	
Connection caliber	3/8" tube	
Lead wire	vinyle cabtire code 2m φ3.4 0.23mm ²	
Material of wet part	Body:newPFA, Sensor:newPFA	

Note

1. Operating pressure range is changed depending on fluid temperature. (See Figre1)

Withstand Pressure should be 1.5 times max operating pressure.

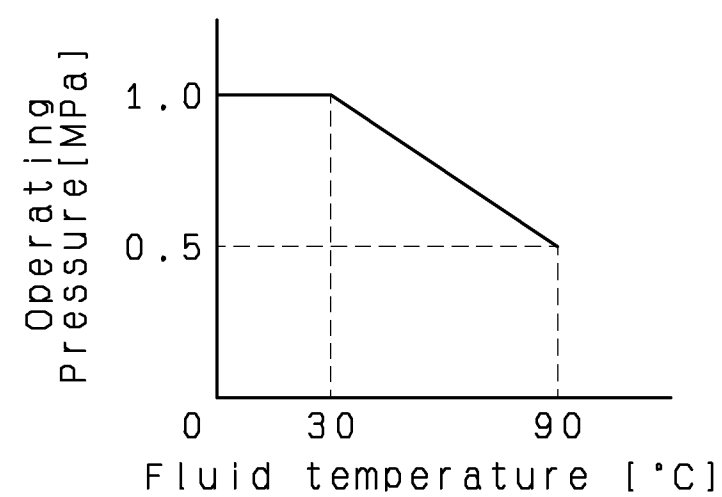


Figure1. Operating Pressure range

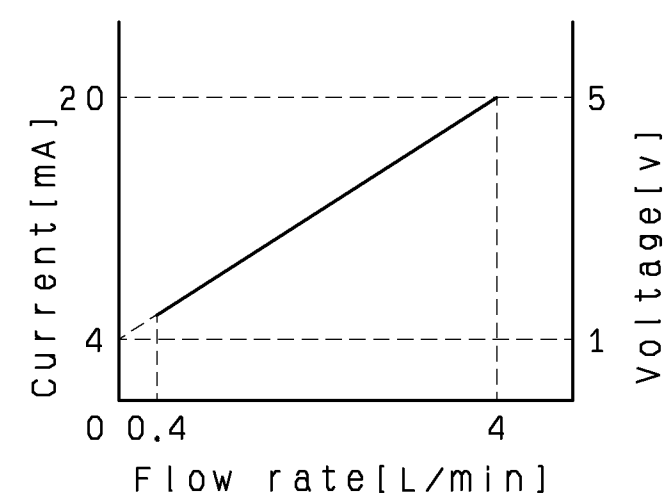
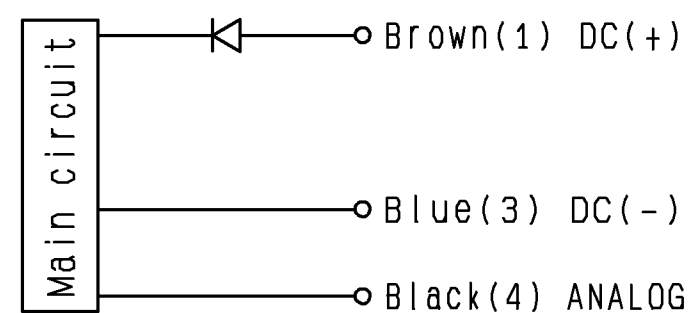


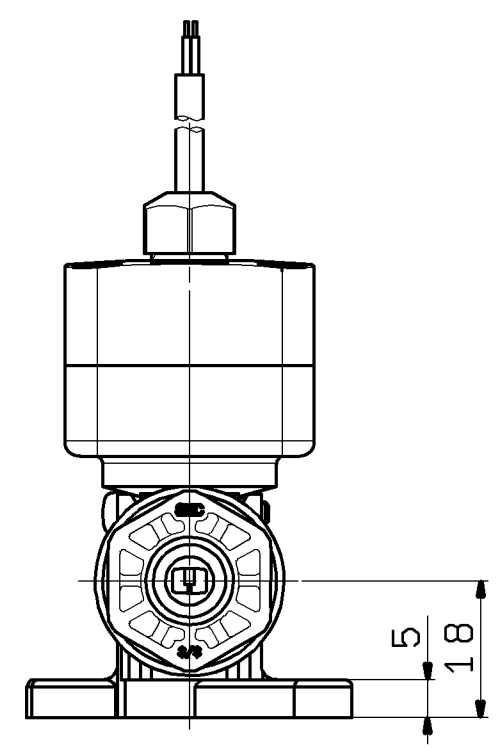
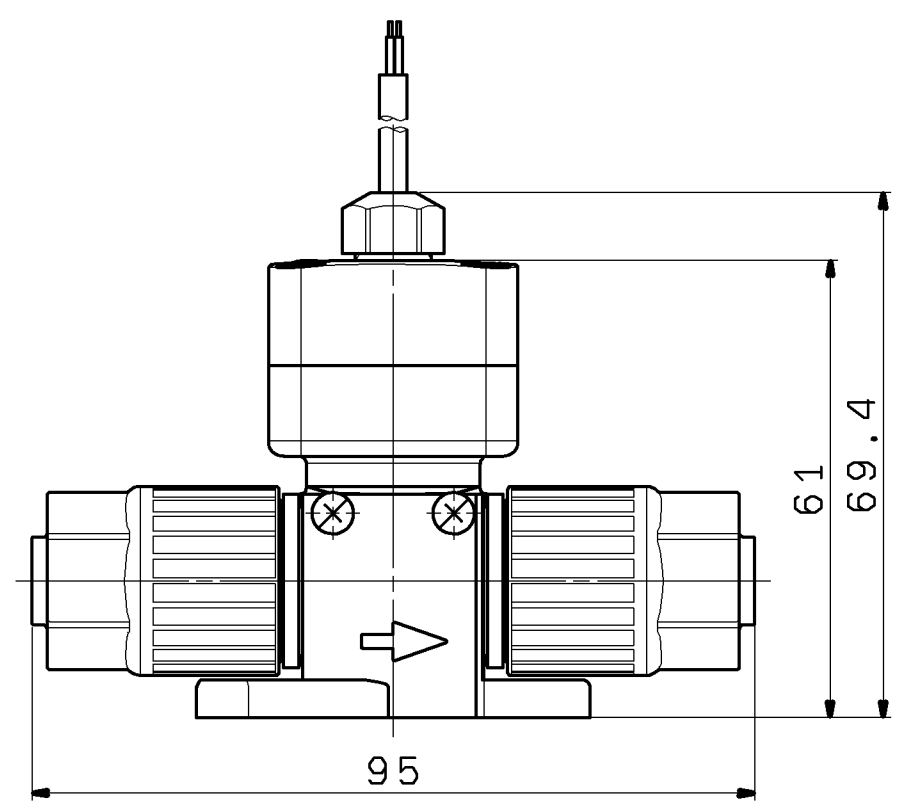
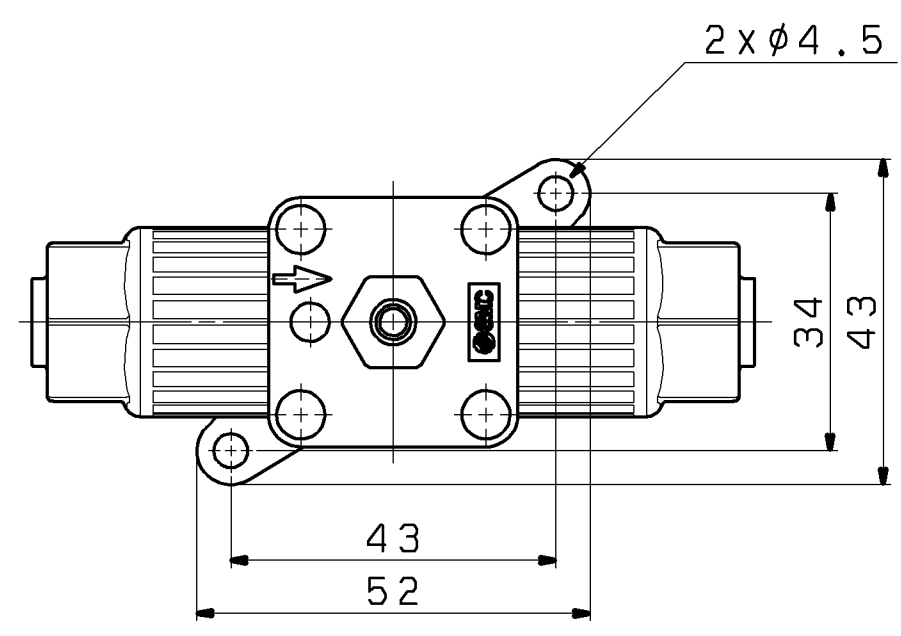
Figure2. Analog output



Electric circuits

FINISH			
PAINT			
MASS			
PACKING			
MATERIAL			
MATERIAL SIZE			
REV. QTY	INITIAL RELEASE	2016-09-23	T.Uchino
	DESCRIPTION		
	DATE PREPARED		
	REV. NO		
TOLERANCES JIS B 0405		SCALE	
RANGE (mm)	GRADE	DRAWN	M.Saito
		DATE	2016-09-23
0.5 ≤ D ≤ 3	0.05	DESIGNED	T.Uchino
3 < D ≤ 6	0.05	DATE	2016-09-23
6 < D ≤ 30	0.1	CHECKED	
30 < D ≤ 120	0.15	DATE	
120 < D ≤ 400	0.2	APPROVED	Y.Okita
400 < D ≤ 1000	0.3	DATE	2016-09-24
1000 < D ≤ 2000	0.5		
DWG NAME		Vortex Flow Switch	
DWG NO		© LFK30-T11-*-*(-B)	
REVISION			

ON 9MO



△ How to order

LFK **30**-**Z****11**-*-***-B**

Fluid range • **30** 0.4 to 4L/min

LQ3 Integral fitting •

Fitting •

Symbol	Tube O.D
11	3/8"

•Option

Nil	With out bracket
B	With bracket

•Option

Nil	None
C	e-con connectorx1pc.
M	M8 connector

•Output spec

1	Voltage output
2	Current output

△ Specification

Model No.	LFK30-Z11-1-*(-B)	LFK30-Z11-2-*(-B)
Fluid	Pure water or liquid not to corrode PFA(Viscosity 3mPa·s or less)	
Measuring fluid range	0.4 to 4L/min	
Operating pressure range	0 to 1MPa *Note1	
Fluid temperature	0 to 90°C	
Linearity	±2%F.S. or less (25°C water)	
Repeatability	±1%F.S. or less(25°C water)	
Temp.characteristic	±5%F.S. or less(0 to 50°C, 25°C standard)	
Analog output	Output voltage:1 to 5V, Output impedance:1kΩ	Output current:4 to 20mA, Max. load impedance:300Ω for 12VDC,600Ω for 24VDC
*Refer to Figure2		
Source voltage	DC12~24V ripple ±10% or less	
Protection structure	IP65	
Connection caliber	3/8"tube	
Material of wet part	Body:newPFA, Sensor:newPFA	
Lead wire	Vinyle cabtire code 2m φ3.4 0.23mm ²	

Note

1. Operating pressure range is changed depending on fluid temperature. (See Figre1)

Withstand Pressure should be 1.5 times max operating pressure.

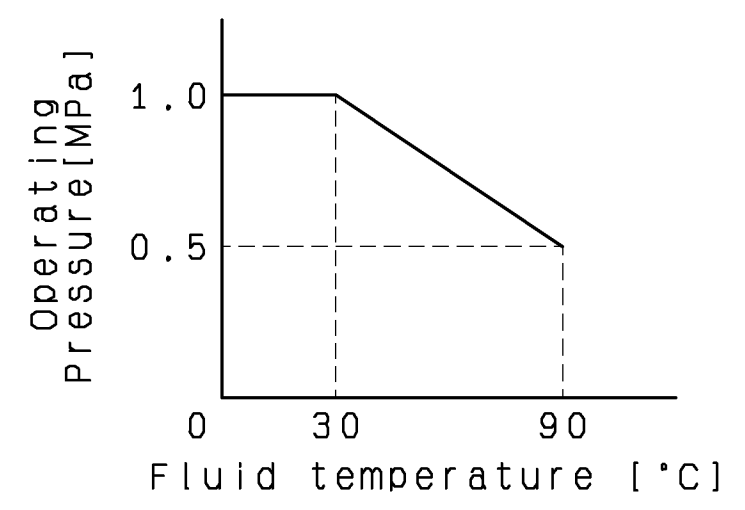


Figure1. Operating Pressure range

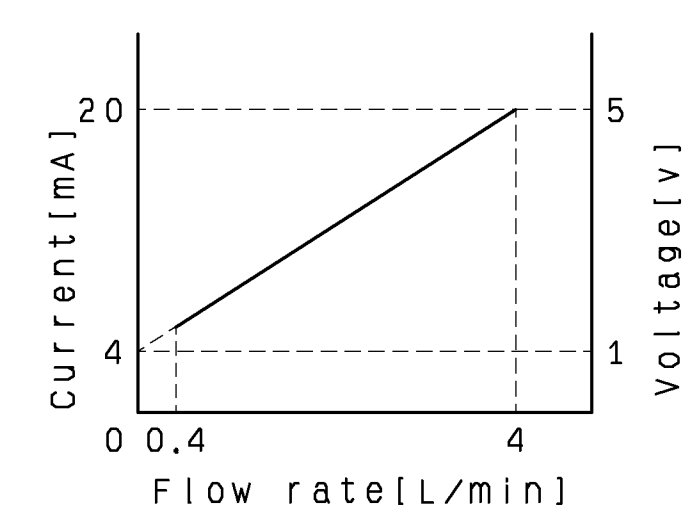
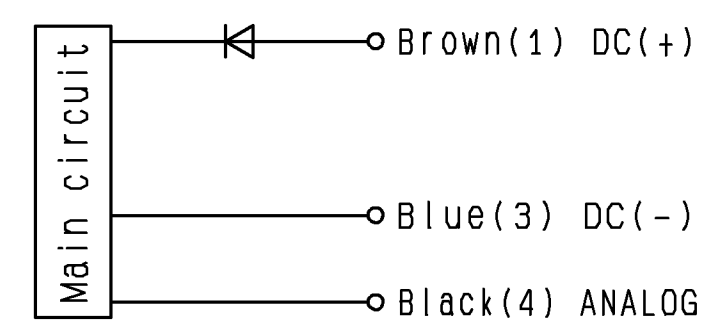


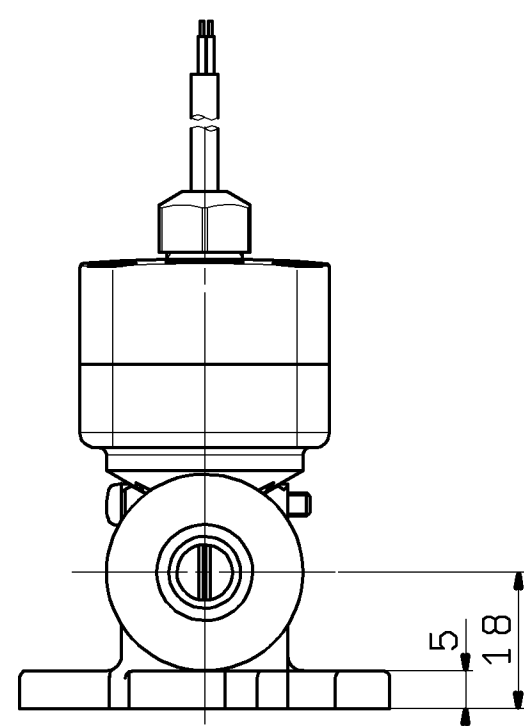
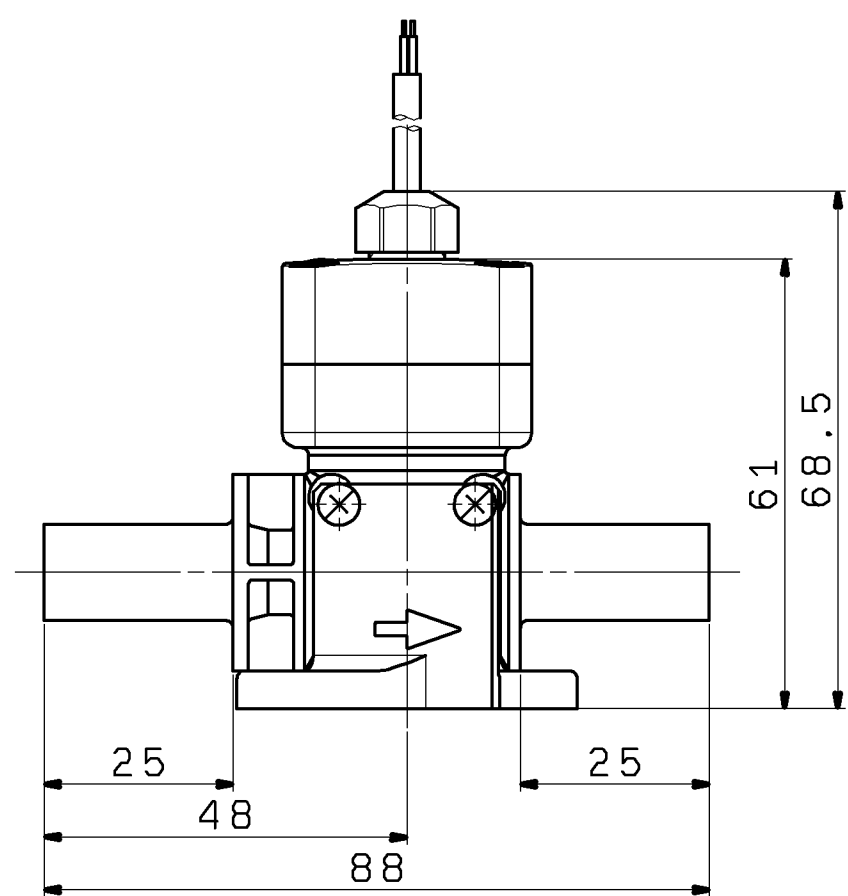
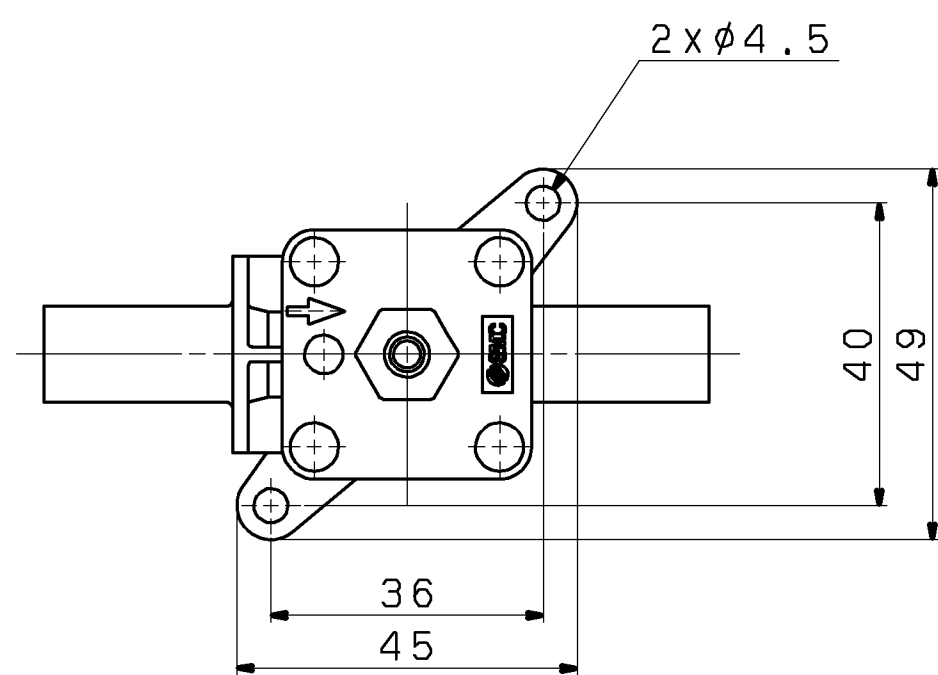
Figure2. Analog output



△ Electric circuits

FINISH			
PAINT			
MASS			
PACKING			
MATERIAL			
MATERIAL SIZE			
MODEL			
QTY			
THIRD ANGLE			
REVISION			
SCALE	FREE	DWG NAME	Vortex Flow Switch
DWG NO			
REV	QTY	DESCRIPTION	DATE PREPARED
3		SPECIFICATION CHANGE	2016-06-27 T.Uchino
4		CHANGE THE SPECIFICATION AND DRAWING NUMBER	2013-08-26 T.Uchino
		INITIAL RELEASE	2013-04-19 T.Uchino
TOLERANCES JIS B 0405		DRAWN	M.Fukuhara
GRADE		DATE	2016-06-27
RANGE (mm)	T	M	C
0.5 ≤ D ≤ 3	0.05	0.1	0.2
3 < D ≤ 6	0.05	0.1	0.3
6 < D ≤ 30	0.1	0.2	0.5
30 < D ≤ 120	0.15	0.3	0.8
120 < D ≤ 400	0.2	0.5	1.2
400 < D ≤ 1000	0.3	0.8	2
1000 < D ≤ 2000	0.5	1.2	3
DESIGNED	T.Uchino	CHECKED	
DATE	2016-06-27	DATE	
APPROVED	Y.Okita	DATE	2016-06-28

ON 9MO



How to order

LFK 40-T13 - * - * - B

Fluid range •
40 | 1.8 to 20L/min

Fitting •
Symbol | Tube O.D
T13 | 1/2"

•Option
Nil | With out bracket
B | With bracket

•Option
Nil | NONE
C | e-con connectorx1pc.
M | MB connector

•Output spec
1 | Voltage output
2 | Current output

Specification

Model No.	LFK40-T13-1-*(-B)	LFK40-T13-2-*(-B)
Fluid	Pure water or liquid not to corrode Teflon(Viscosity 3mPa·s or less)	
Measuring fluid range	1.8 to 20L/min	
Operating pressure range	0 to 1MPa *Note1	
Fluid temperature	0 to 90°C	
Linerarity	±2%F.S. or less (25°C water)	
Repeatability	±1%F.S. or less(25°C water)	
Temp.characteristic	±5%F.S. or less(0 to 50°C, 25°C standard)	
Analog output *Refer to Figure2	Output voltage:1 to 5V,Output impedance:1kΩ	Output current:4 to 20mA, Max.load impedance:300Ω for 12VDC,600Ω for 24VDC
Source voltage	DC12~24V ripple ±10% or less	
Protection structure	IP65	
Connection caliber	1/2"tube	
Lead wire	vinyle cabtire code 2m φ3.4 0.23mm ²	
Material of wet part	Body:newPFA, Sensor:newPFA	

Note

1.Operating pressure range is changed depending on fluid temperature. (See Figre1)

Withstand Pressure should be 1.5 times max operating pressure.

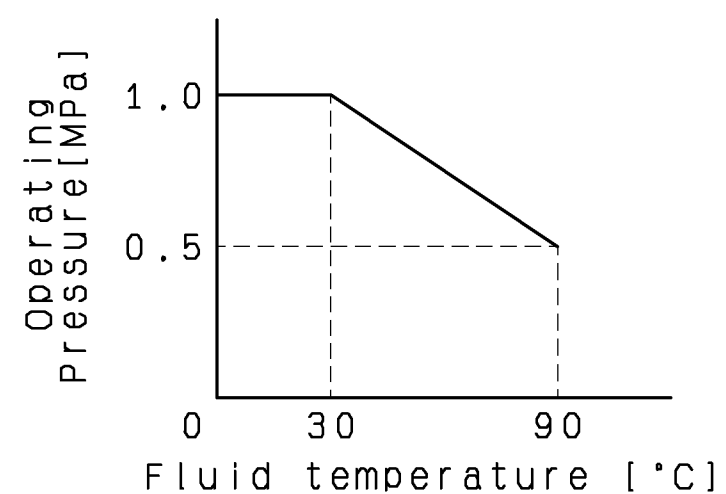


Figure1. Operating Pressure range

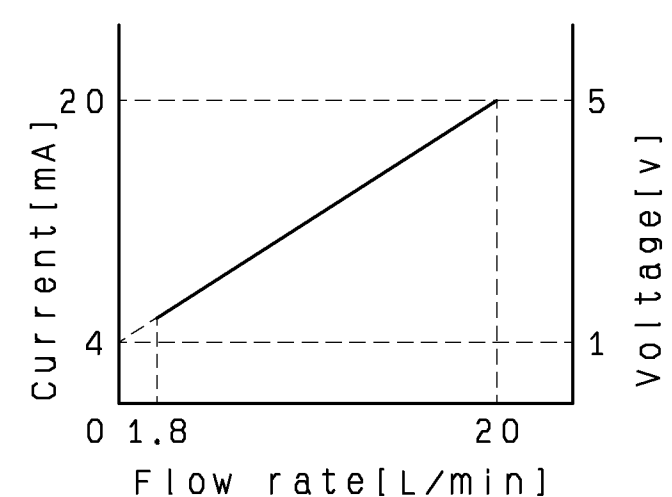
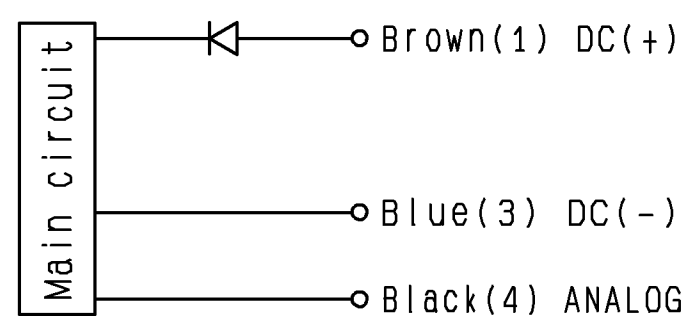


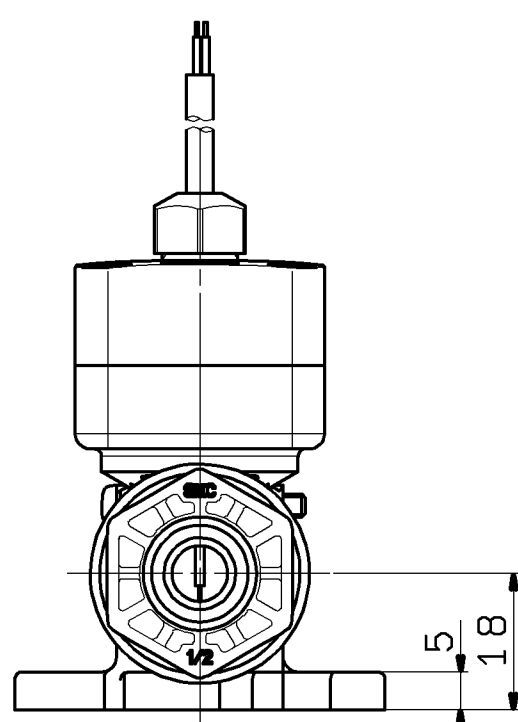
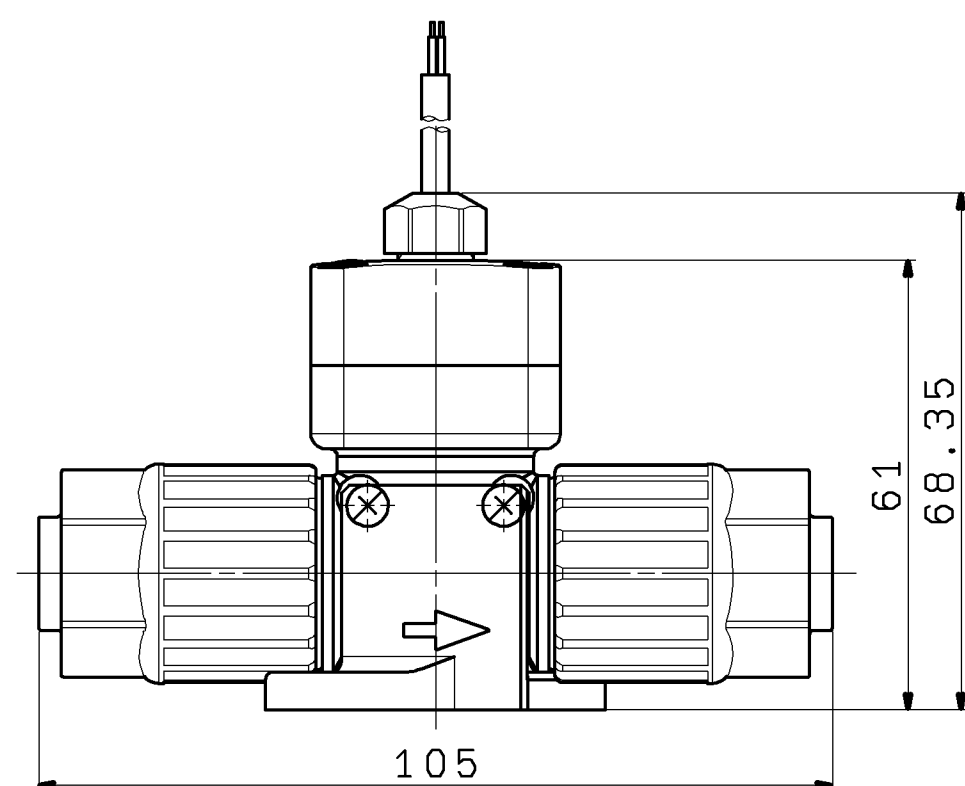
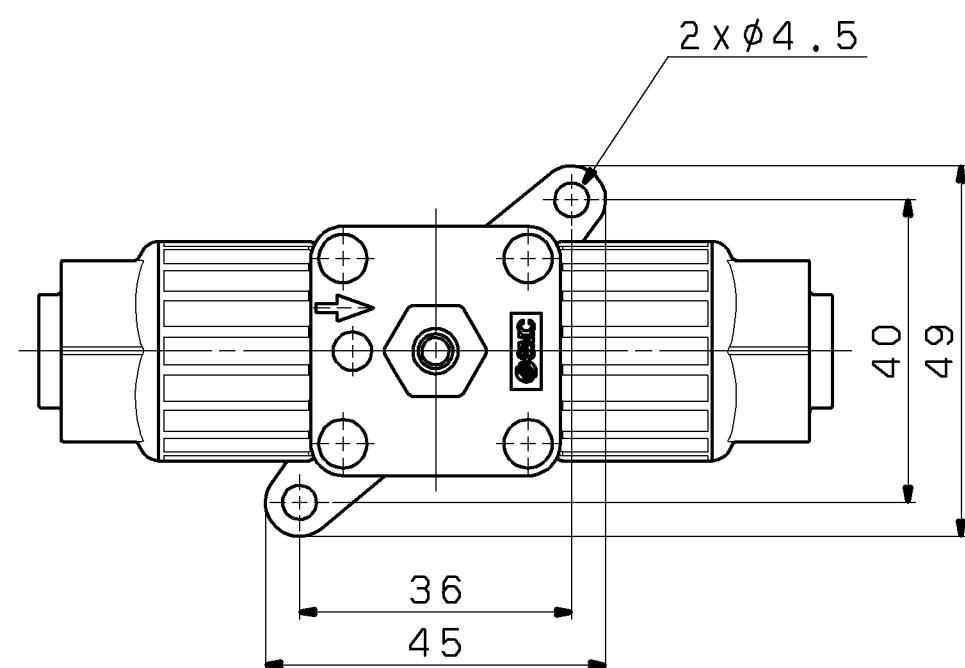
Figure2. Analog output



Electric circuits

FINISH		
PAINT		
MASS		
PACKING		
MATERIAL		
MATERIAL SIZE		
MODEL		QTY
THIRD ANGLE		
INITIAL RELEASE	2016-09-23	T.Uchino
DESCRIPTION		
DATE PREPARED		
REV NO		
TOLERANCES JIS B 0405		
RANGE (mm)	GRADE	
0.5 ≤ D ≤ 3	± 0.05	0.1 0.2
3 < D ≤ 6	± 0.05	0.1 0.3
6 < D ≤ 30	± 0.1	0.2 0.5
30 < D ≤ 120	± 0.15	0.3 0.8
120 < D ≤ 400	± 0.2	0.5 1.2
400 < D ≤ 1000	± 0.3	0.8 2
1000 < D ≤ 2000	± 0.5	1.2 3
DRAWN	M.Saito	SCALE
DATE	2016-09-23	FREE
DESIGNED	T.Uchino	DWG NAME
DATE	2016-09-23	Vortex Flow Switch
CHECKED		DWG NO
DATE		LFK40-T13-*-*(-B)
APPROVED	Y.Okita	REVISION
DATE	2016-09-24	

ON 9MO



△ How to order

LFK 40-Z 13-*-*(-B)

Fluid range • 40 1.8 to 20L/min

LQ3 Integral fitting •

Fitting •

Symbol	Tube O.D
13	1/2"

•Option

Nil	With out bracket
B	With bracket

•Option

Nil	None
C	e-con connectorx1pc.
M	M8 connector

•Output spec

1	Voltage output
2	Current output

△ Specification

Model No.	LFK40-Z13-1-*(-B)	LFK40-Z13-2-*(-B)
Fluid	Pure water or liquid not to corrode PFA(Viscosity 3mPa·s or less)	
Measuring fluid range	1.8 to 20L/min	
Operating pressure range	0 to 1MPa *Note1	
Fluid temperature	0 to 90°C	
Linerarity	±2%F.S. or less (25°C water)	
Repeatability	±1%F.S. or less(25°C water)	
Temp.characteristic	±5%F.S. or less(0 to 50°C, 25°C standard)	
Analog output	Output voltage:1 to 5V, Output impedance:1kΩ	Output current:4 to 20mA, Max. load impedance:300Ω for 12VDC, 600Ω for 24VDC
*Refer to Figure2		
Source voltage	DC12~24V ripple ±10% or less	
Protection structure	IP65	
Connection caliber	1/2" tube	
Material of wet part	Body:newPFA, Sensor:newPFA	
Lead wire	Vinyle cabtire code 2m φ3.4 0.23mm ²	

Withstand Pressure should be 1.5 times max operating pressure.

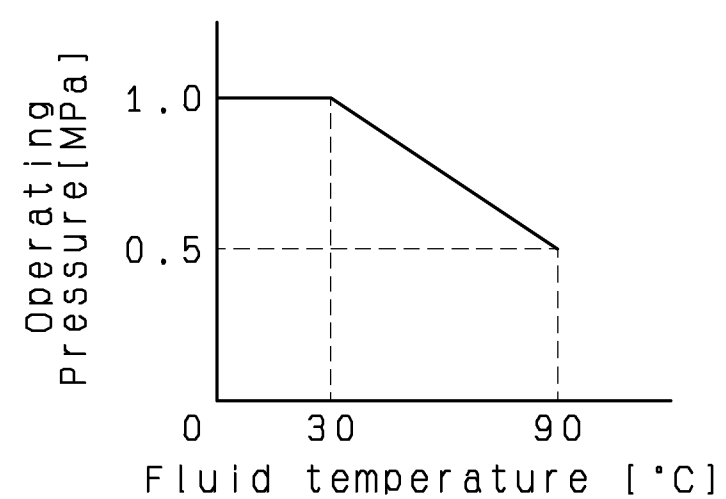


Figure1. Operating Pressure range

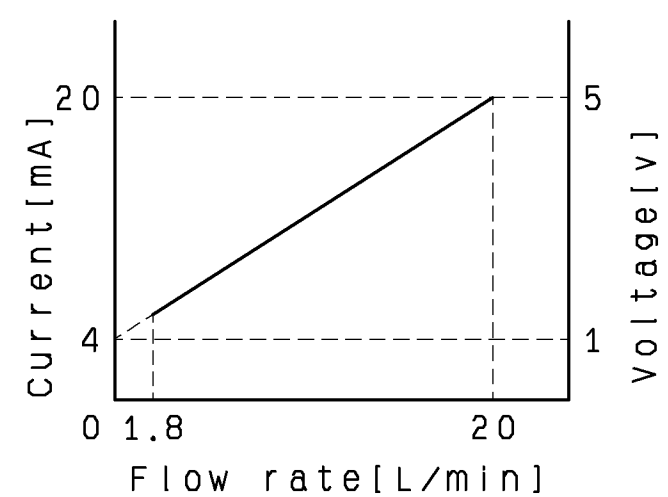
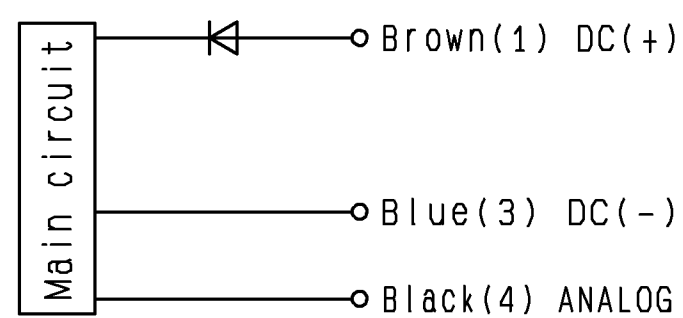


Figure2. Analog output



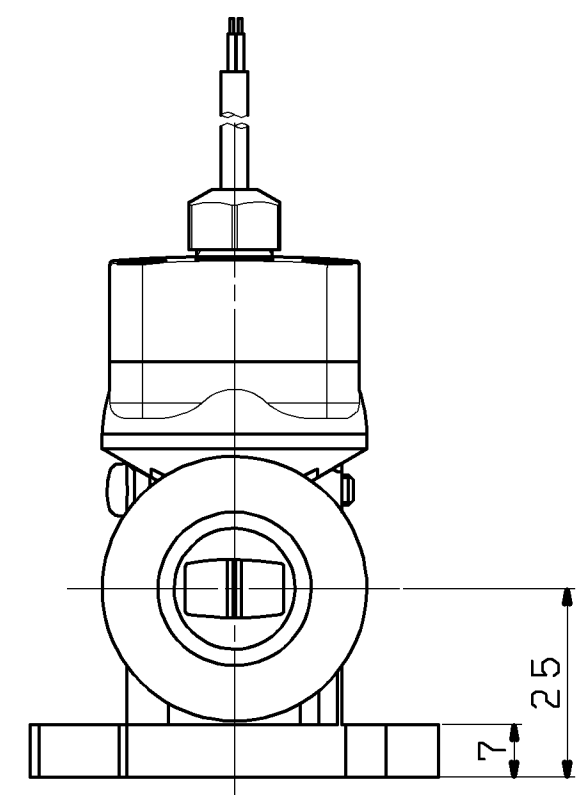
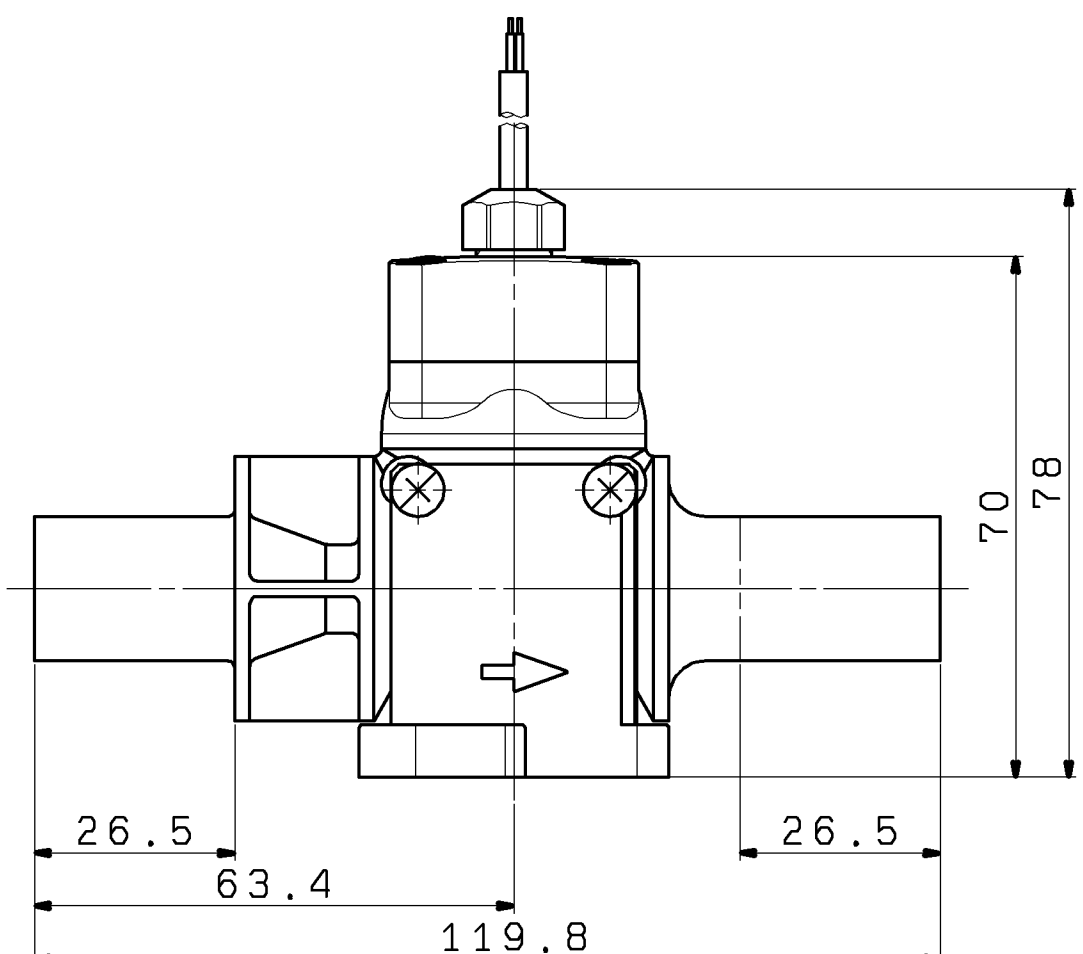
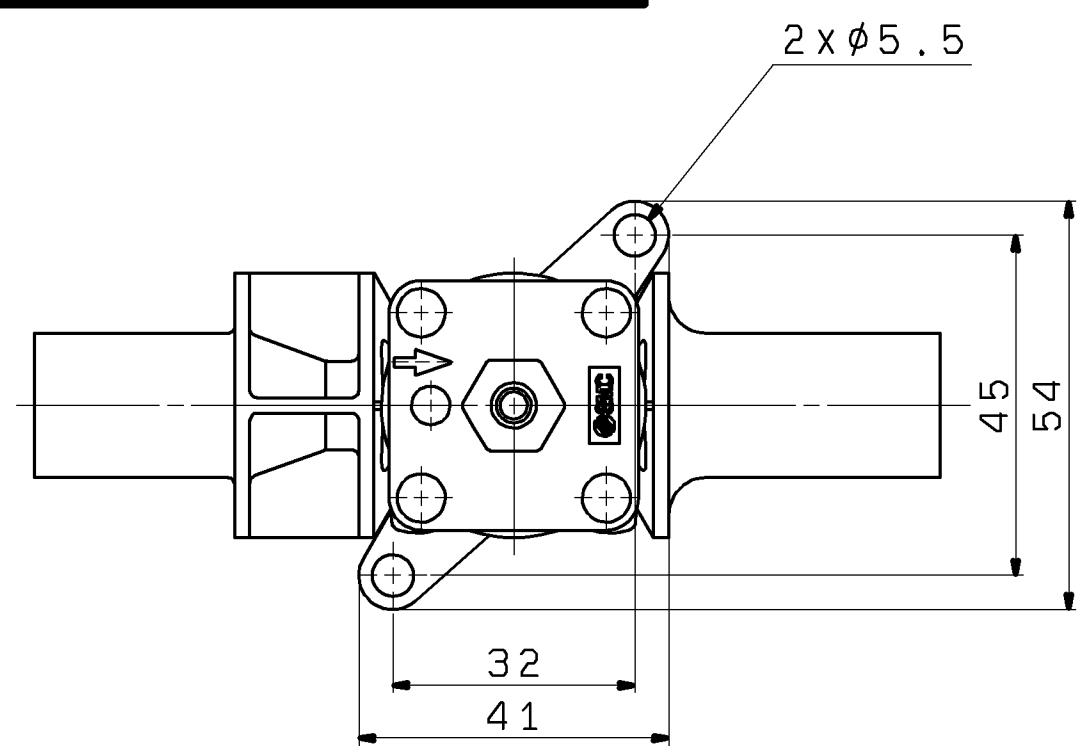
△ Electric circuits

Note

1.Operating pressure range is changed depending on fluid temperature. (See Figre1)

FINISH			
PAINT			
MASS			
PACKING			
MATERIAL			
MATERIAL SIZE			
REV. QTY	DESCRIPTION	DATE PREPARED	REV. NO
3	SPECIFICATION CHANGE	2016-06-27 T.Uchino	LV30***-DMU0456
4	CHANGE THE SPECIFICATION AND DRAWING NUMBER	2013-08-26 T.Uchino	LV30***-DMR0860
	INITIAL RELEASE	2013-04-19 T.Uchino	-
TOLERANCES JIS B 0405		DRAWN M.Fukuhara	SCALE
RANGE (mm)	GRADE	DATE	FREE
0.5<D<3	±0.05	DESIGNED T.Uchino	DWG NAME
3<D<6	±0.05	DATE	Vortex Flow Switch
6<D<30	±0.1	2016-06-27	DWG NO
30<D<120	±0.15	CHECKED	1
120<D<400	±0.2	DATE	REVISION
400<D<1000	±0.3	APPROVED Y.Okita	2
1000<D<2000	±0.5	DATE	
DWG REC LFK40-Z13-1/2-*(-B)→LFK40-Z13-2-*(-B)		DWG ID BA36470802	

ON 9MO



How to order

LFK 50-T19 - * - * - B

Fluid range •
50 4 to 40L/min

Fitting •
Symbol Tube O.D
T19 3/4"

•Option
Nil With out bracket
B With bracket

•Option
Nil NONE
C e-con connectorx1pc.
M MB connector

•Output spec
1 Voltage output
2 Current output

Specification

Model No.	LFK50-T19-1-*(-B)	LFK50-T19-2-*(-B)
Fluid	Pure water or liquid not to corrode Teflon(Viscosity 3mPa·s or less)	
Measuring fluid range	4 to 40L/min	
Operating pressure range	0 to 0.6MPa *Note1	
Fluid temperature	0 to 90°C	
Linerarity	±2%F.S. or less (25°C water)	
Repeatability	±1%F.S. or less(25°C water)	
Temp.characteristic	±5%F.S. or less(0 to 50°C, 25°C standard)	
Analog output *Refer to Figure2	Output voltage:1 to 5V,Output impedance:1kΩ	Output current:4 to 20mA, Max.load impedance:300Ω for 12VDC,600Ω for 24VDC
Source voltage	DC12~24V ripple ±10% or less	
Protection structure	IP65	
Connection caliber	3/4"tube	
Lead wire	vinyle cabtire code 2m φ3.4 0.23mm ²	
Material of wet part	Body:newPFA, Sensor:newPFA	

Note

1.Operating pressure range is changed depending on fluid temperature. (See Figre1)

Withstand Pressure should be 1.5 times max operating pressure.

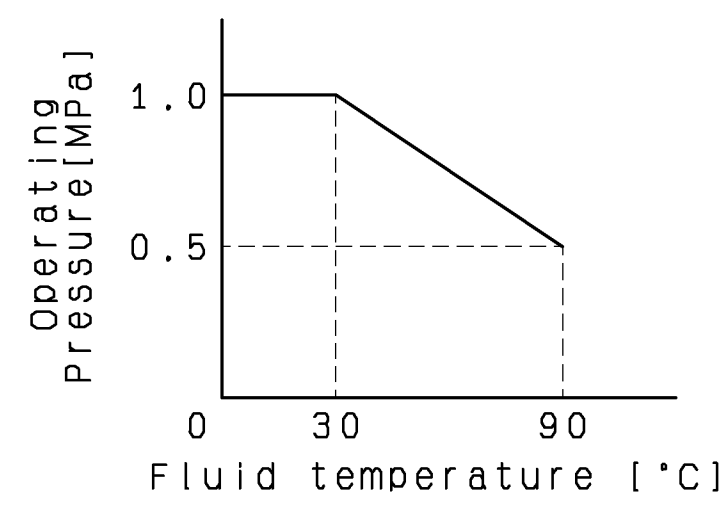


Figure1. Operating Pressure range

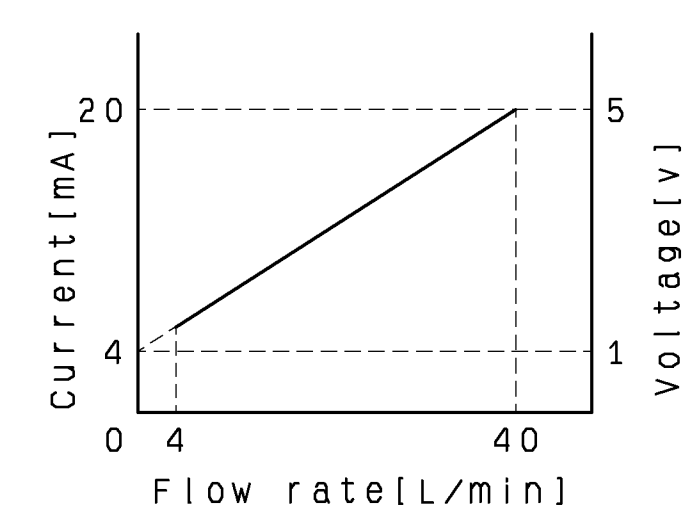
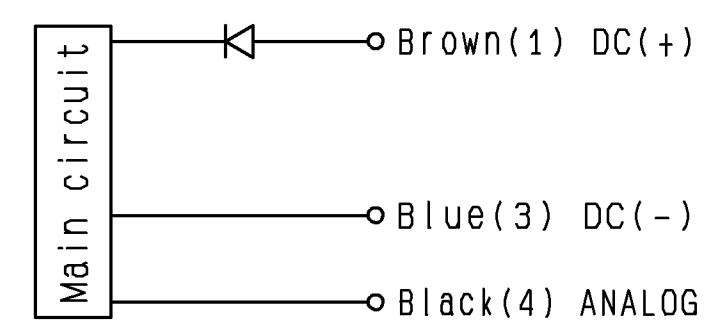


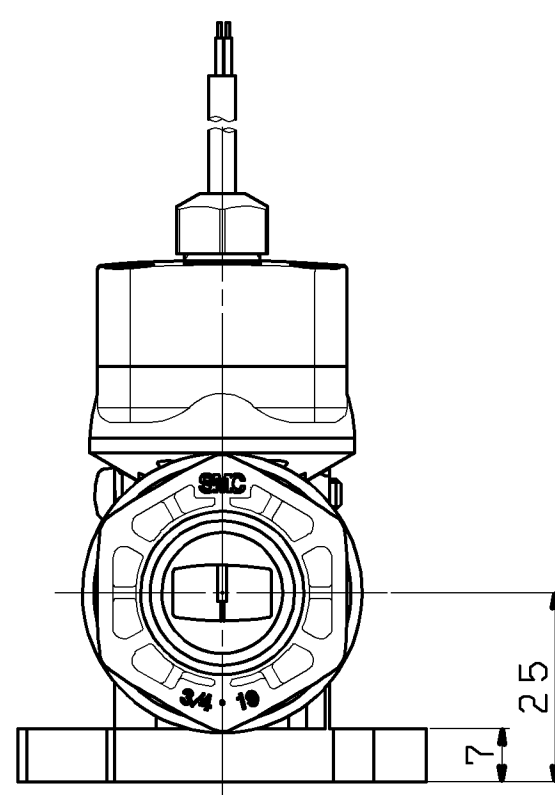
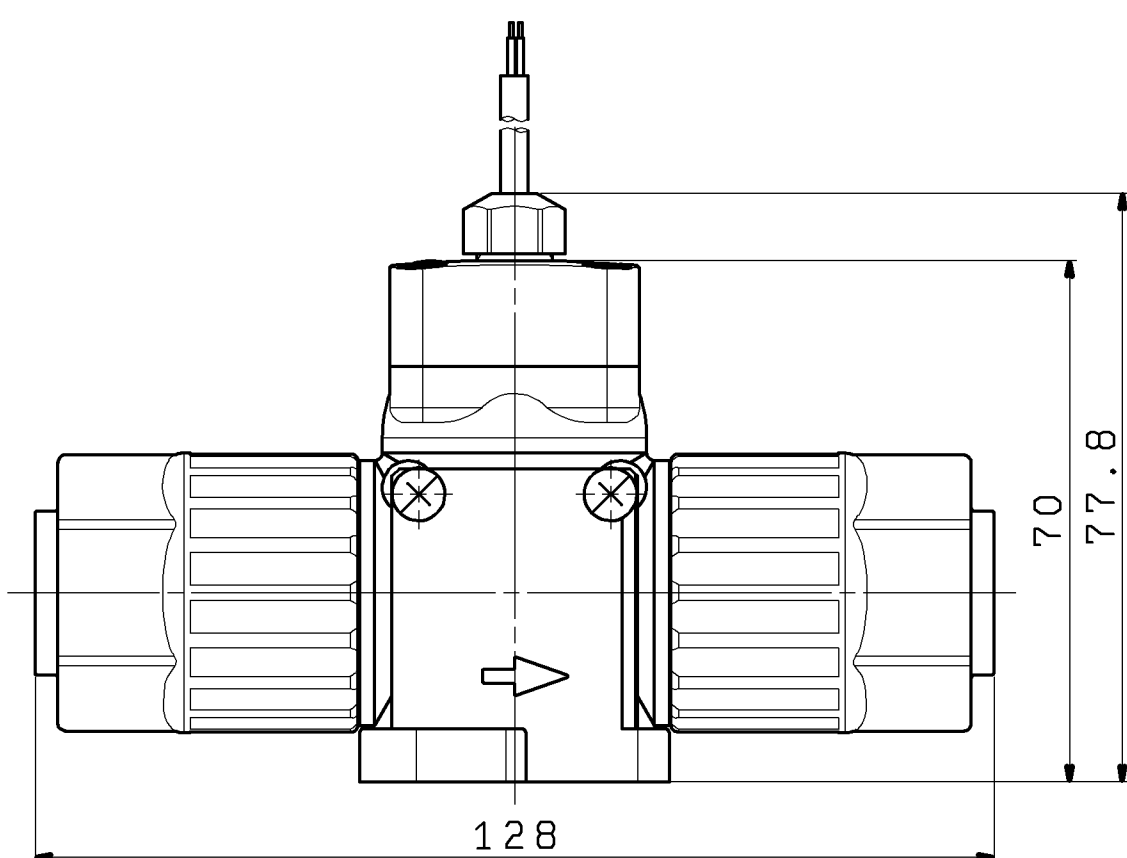
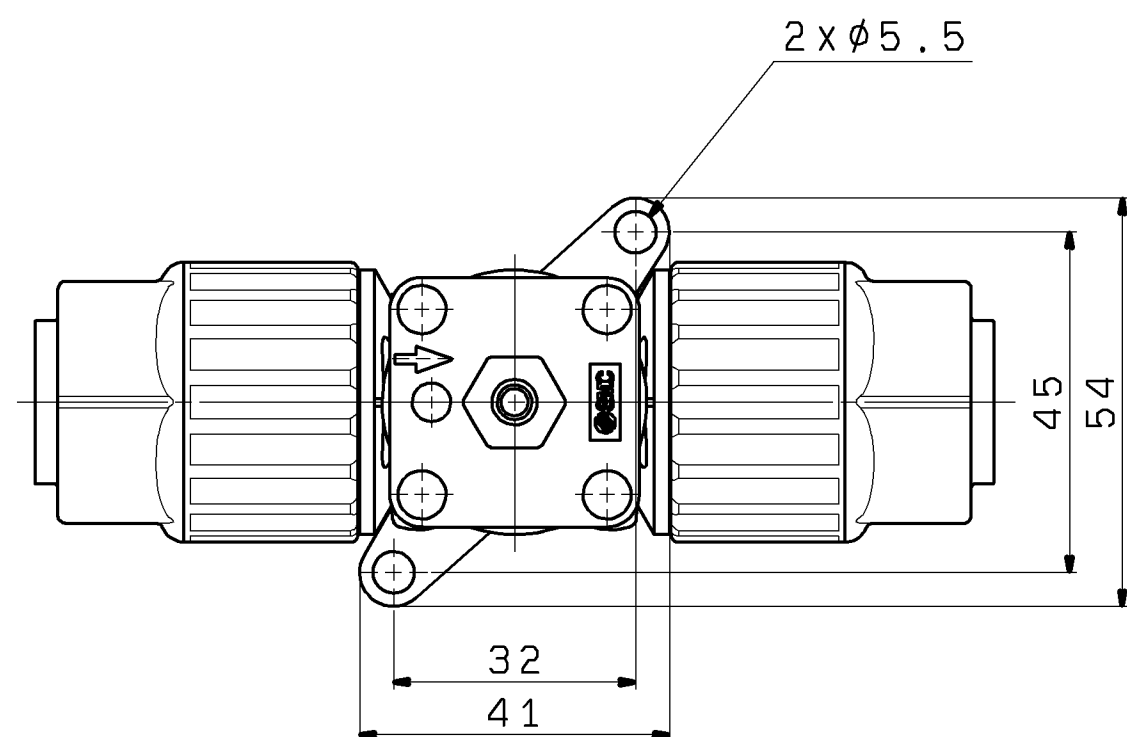
Figure2. Analog output



Electric circuits

FINISH		
PAINT		
MASS		
PACKING		
MATERIAL		
MATERIAL SIZE		
REV. QTY	INITIAL RELEASE	2016-09-23 T.Uchino
	DESCRIPTION	
	DATE PREPARED	
	REV. NO	
TOLERANCES JIS B 0405		
GRADE		
RANGE (mm)	T	M
0.5 ≤ D ≤ 3	±0.05	±0.1
3 < D ≤ 6	±0.05	±0.1
6 < D ≤ 30	±0.1	±0.2
30 < D ≤ 120	±0.15	±0.3
120 < D ≤ 400	±0.2	±0.5
400 < D ≤ 1000	±0.3	±0.8
1000 < D ≤ 2000	±0.5	±1.2
DRAWN	M.Saito	SCALE
DATE	2016-09-23	FREE
DESIGNED	T.Uchino	DWG NAME
DATE	2016-09-23	Vortex Flow Switch
CHECKED		DWG NO
DATE		
APPROVED	Y.Okita	REVISION
DATE	2016-09-24	
© LFK50-T19-*-*(-B)		

ON 9MO



△ How to order

LFK 50-Z 19 -* -* -B

Fluid range • 50 4 to 40L/min

LQ3 Integral fitting •

Fitting •

Symbol	Tube O.D
19	3/4"

•Option

Nil	With out bracket
B	With bracket

•Option

Nil	None
C	e-con connectorx1pc.
M	M8 connector

•Output spec

1	Voltage output
2	Current output

△ Specification

Model No.	LFK50-Z19-1-*(-B)	LFK50-Z19-2-*(-B)
Fluid	Pure water or liquid not to corrode PFA(Viscosity 3mPa·s or less)	
Measuring fluid range	4 to 40L/min	
Operating pressure range	0 to 0.6MPa*Note1	
Fluid temperature	0 to 90°C	
Linearity	±2%F.S. or less (25°C water)	
Repeatability	±1%F.S. or less(25°C water)	
Temp.characteristic	±5%F.S. or less(0 to 50°C, 25°C standard)	
Analog output	Output voltage:1 to 5V, Output impedance:1kΩ	Output current:4 to 20mA, Max. load impedance:300Ω for 12VDC,600Ω for 24VDC
*Refer to Figure2		
Source voltage	DC12~24V ripple ±10% or less	
Protection structure	IP65	
Connection caliber	3/4"tube	
Material of wet part	Body:newPFA, Sensor:newPFA	
Lead wire	Vinyle cabtire code 2m φ3.4 0.23mm ²	

Note

1.Operating pressure range is changed depending on fluid temperature. (See Figre1)

Withstand Pressure should be 1.5 times max operating pressure.

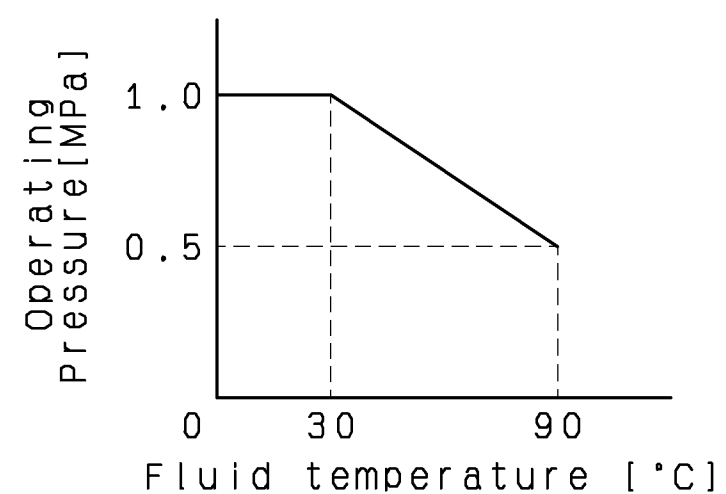


Figure1. Operating Pressure range

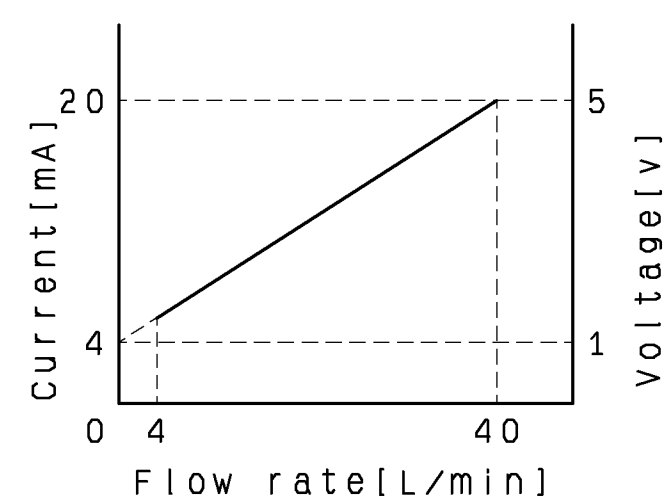
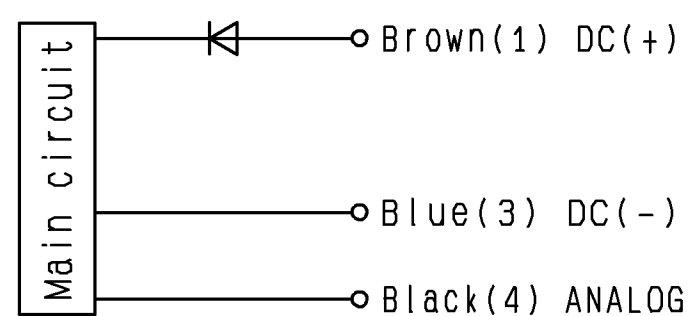


Figure2. Analog output



△ Electric circuits

3	SPECIFICATION CHANGE	2016-06-27	T.Uchino	LV30***-DMU0456	FINISH	
4	CHANGE THE SPECIFICATION AND DRAWING NUMBER	2013-08-26	T.Uchino	LV30***-DMR0860	PAINT	
	INITIAL RELEASE	2013-04-19	T.Uchino	-	MASS	
REV	QTY	DESCRIPTION	DATE PREPARED	REV NO	PACKING	
					MATERIAL	
					MATERIAL SIZE	
TOLERANCES JIS B 0405				SCALE		
GRADE				FREE		
RANGE (mm)	T	M	C	DATE	2016-06-27	
0.5<D≤3	0.05	0.1	0.2	DESIGNED	T.Uchino	DWG NAME
3<D≤6	0.05	0.1	0.3	DATE	2016-06-27	Vortex Flow Switch
6<D≤30	0.1	0.2	0.5	CHECKED		DWG NO
30<D≤120	0.15	0.3	0.8	DATE		1
120<D≤400	0.2	0.5	1.2	APPROVED	Y.Okita	REVISION
400<D≤1000	0.3	0.8	2	DATE	2016-06-28	2
1000<D≤2000	0.5	1.2	3			

DWG NAME

DWG REC| LFK50-Z19-1/2-*(-B)→LFK50-Z19-1/2-*(-B) | DWG ID| BA36472602

SMC Corporation

FINISH: 表面処理 / PAINT: 塗装 / MASS: 質量
PACKING: 包装区分 / MATERIAL: 材質
MATERIAL SIZE: 材料寸法