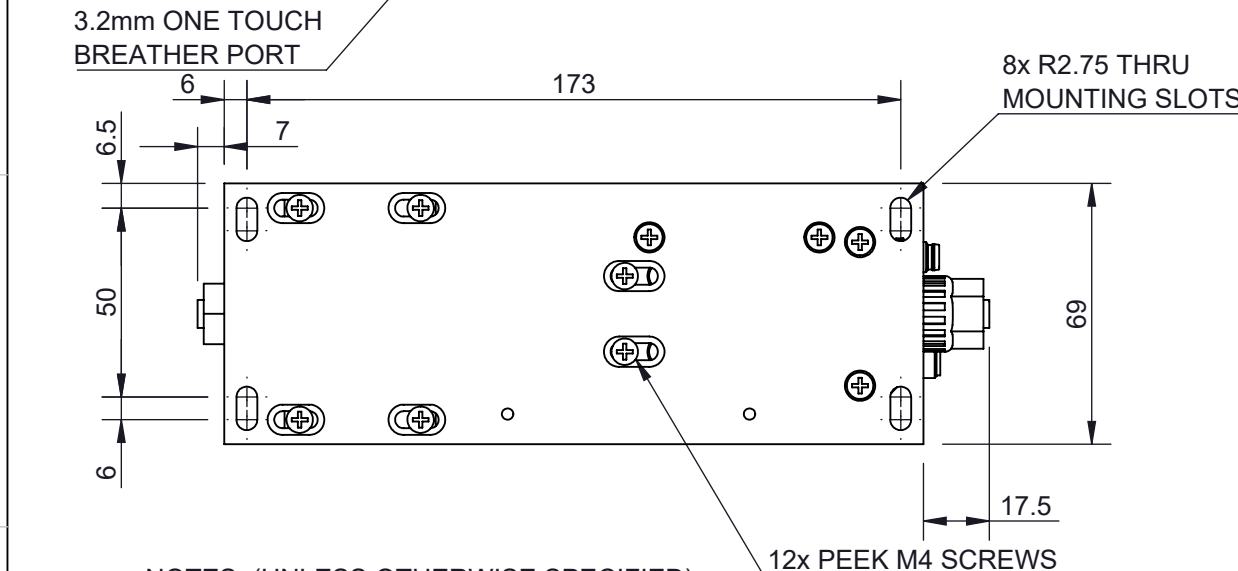
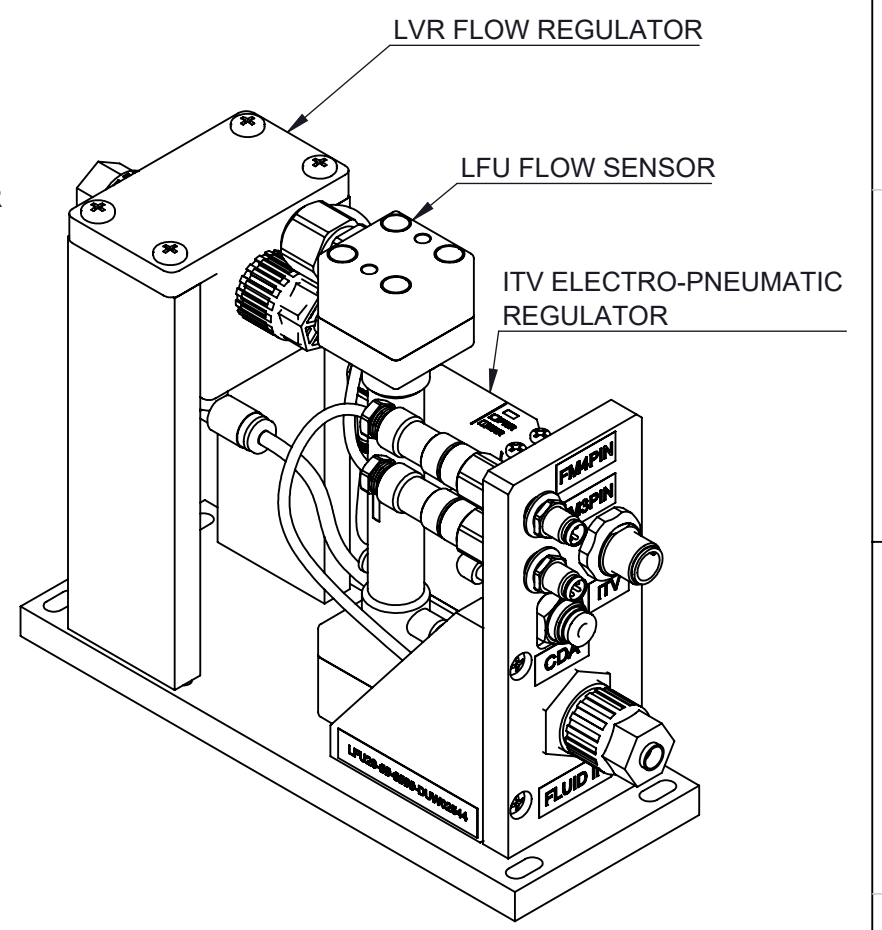
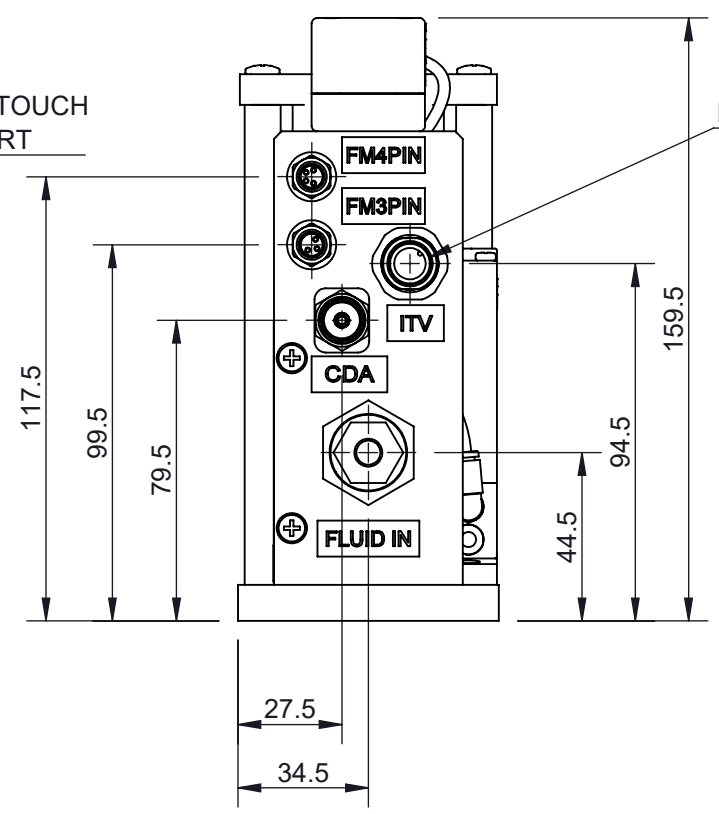
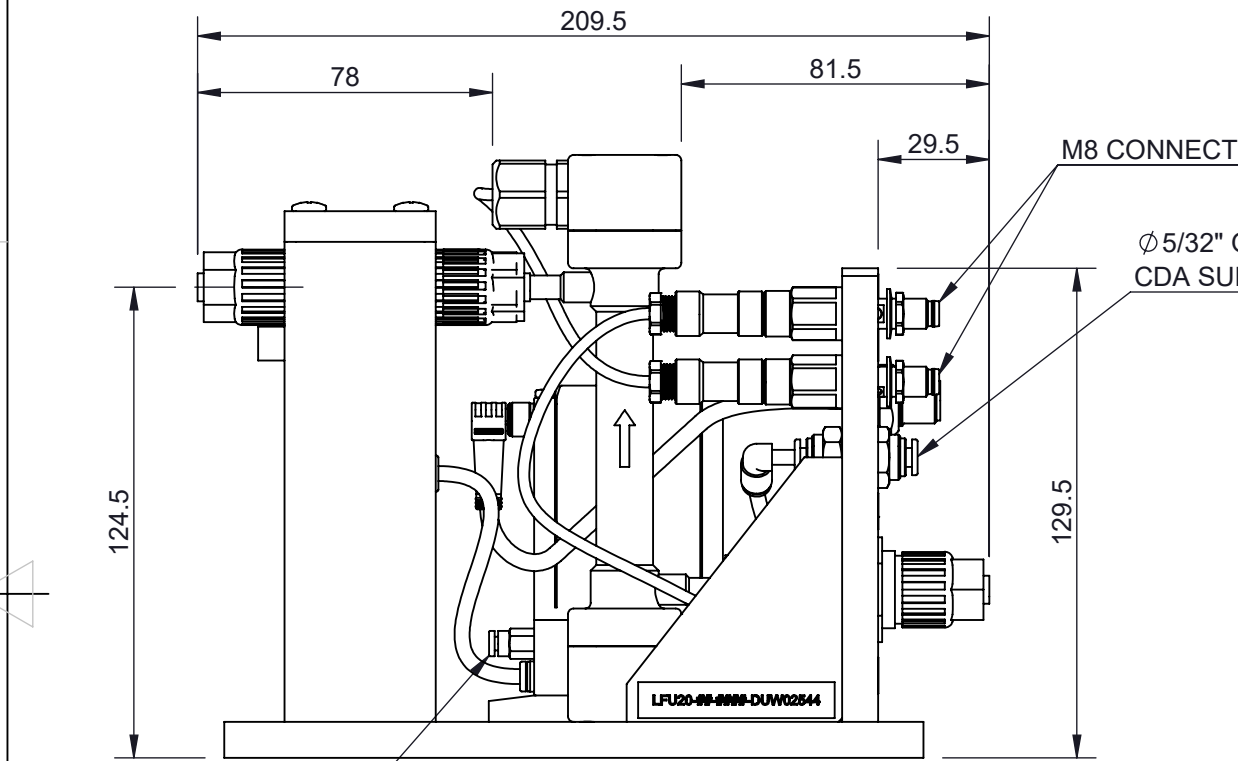


REV.	ZONE	ECN	DESCRIPTION	DATE	BY
1		US132204-A	TYPO, WIRE COLOR ON PINS 3 & 4	5/1/2020	MAM
2		US132204-B	UPDATED SPECS ON SHEET 2	7/21/2020	MAM
3		US132204-B	ADDED SEPARATE SPECS FOR 0250 FLOW.	7/28/2020	MAM



HOW TO ORDER

LFU20-##-####-DUW02544

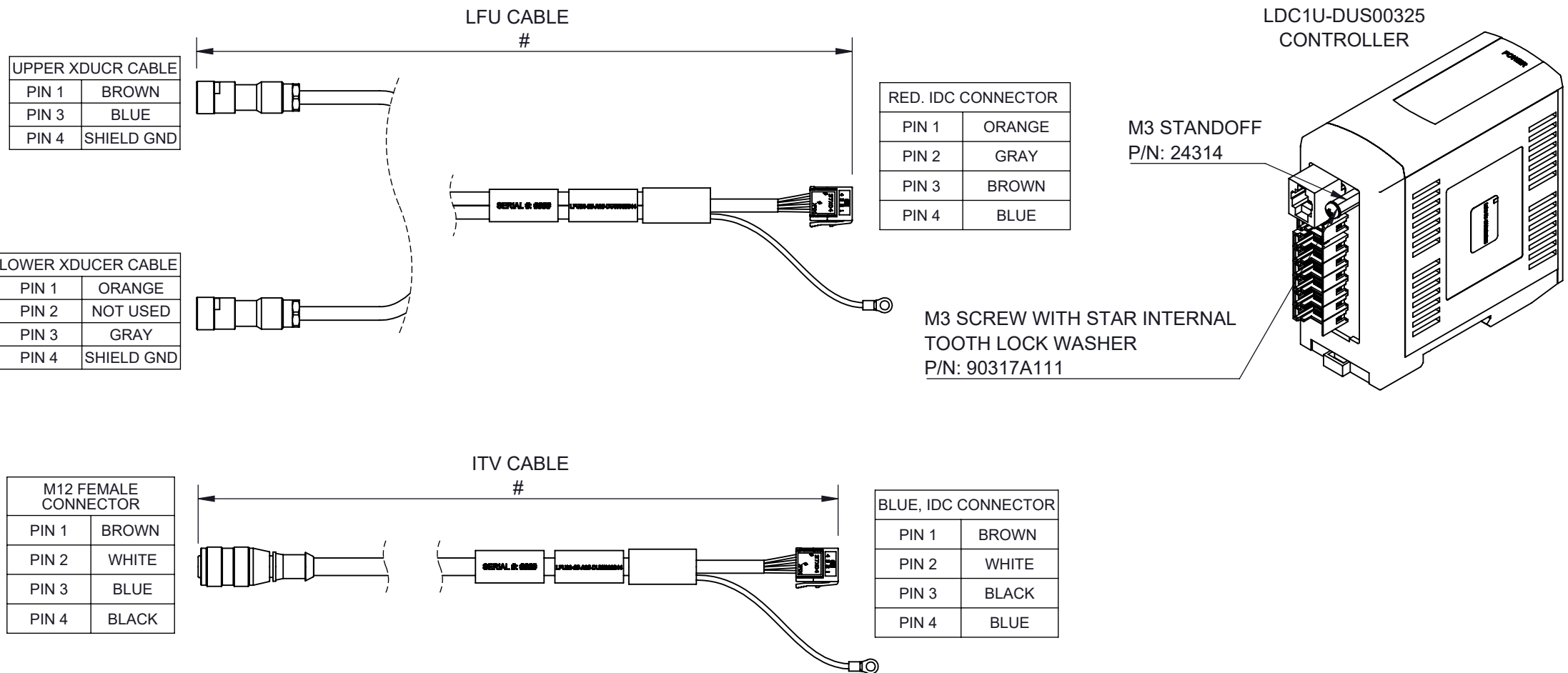
CABLE LENGTH		CALIBRATED FLOW	
02	2m	0250	250mL
03	3m	0500	500mL
05	5m	1000	1000mL
10	10m	1500	1500mL

- NOTES: (UNLESS OTHERWISE SPECIFIED)
- ALL DIMENSIONS ARE FOR REFERENCE ONLY.
 - ALL DIMENSIONS ARE IN mm.
 - SEE SHEET 2 FOR CONTROLLER DETAILS AND SPECIFICATIONS.
 - MACHINED PARTS MEET FM4910 ANSI STANDARD.
 - TESTED AND CALIBRATED PER STANDARD SMC PROCEDURES.

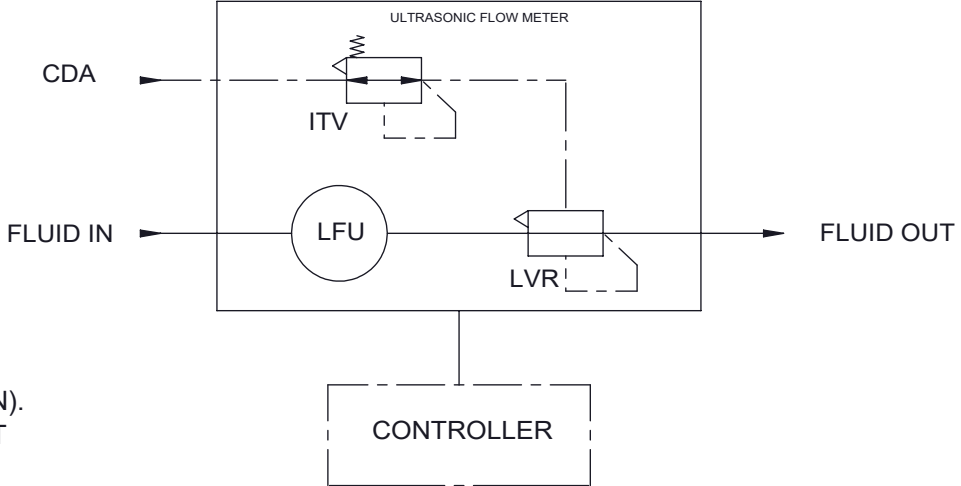
ITEM NO.	PART NUMBER	DESCRIPTION	QTY.
1	LFU20-##-####-A01-DUW02544	LOW FLOW FLUID CONTROLLER	1

UNITS mm	SCALE FREE	SMC Corporation of America <small>THIS DRAWING CONTAINS CONFIDENTIAL INFORMATION PROPRIETARY TO SMC CORPORATION OF AMERICA. IT MUST NOT BE REPRODUCED OR DISCLOSED TO OTHERS OR USED IN ANY OTHER WAY, IN PART OR IN WHOLE, EXCEPT AS AUTHORIZED IN WRITING BY SMC CORPORATION OF AMERICA.</small>	
DRAWN BY MICHAEL J. REIDY		DATE 12/10/2018	
APPROVED BY		DESCRIPTION LOW FLOW FLUID CONTROLLER	
REFER TO EDM SYSTEM			
PRINTED DOCUMENTS ARE UNCONTROLLED REFER TO EDM SYSTEM FOR CONTROLLED DOCUMENT			
CAD FILE LFU20-##-####-DUW02544		SIZE B	DRAWING/PART No. LFU20-##-####-DUW02544
			SHEET 1 OF 2
			REVISION 3

SPECIFICATIONS	
ACCURACY	0500 ±3% Setpoint @ ≥30%F.S.Flow
	1000 ±0.75% F.S @ <30%F.S. Flow
	1500 ±3% F.S.@ ≥30%F.S. Flow ±5% F.S @ <30%F.S. Flow
RISE TIME(s)	3
SETTLING TIME(s)	5
STABILITY	±3% Setpoint @ 10-100% F.S.
OPERATING PRESSURE	20-60 PSI
POWER	24 VDC +/- 10%
CURRENT CONSUMPTION	<200mA (<4.8 W) @ 24 VDC
CONTROL INPUT SIGNAL	0-10 VDC (SEE NOTE 7)
FEEDBACK OUTPUT SIGNAL	0-10 VDC
AMBIENT TEMPERATURE	10-50°C (NO FREEZING) (SEE NOTE 1)
FLUID TEMPERATURE	10-50°C (NO FREEZING) (SEE NOTE 4)
ORIENTATION	VERTICAL



FLUID SCHEMATIC



CONTROLLER CONFIGURATION AND PID SETTINGS				
FW REVISION	PID PARAMETER	PRE-FILTER SETTINGS	FILTER SETTINGS	LOW LEVEL CUTOFF
2010.0608	P = 12.00 I = 5.50 D = 1.00 I CORR. FACTOR = 1.00	TIME DOMAIN FILTER = 0 BAD DATA REJECTION = 5 PREFILTER AVERAGE TIME = 20	FLOW DAMPING = 0.5 SENSITIVITY = 9 HYSTERESIS = 1 MIN. HYSTERESIS = 50	10mL

SPECIFICATION NOTES:

- TEMPERATURE BASED ON 30%-80% RELATIVE HUMIDITY (NO CONDENSATION).
- EXCESSIVE IMPACTS DIRECTLY ON PART MAY EFFECT THE PERFORMANCE.
- ENSURE THE PRODUCT IS MOUNTED VERTICALLY TO AVOID BUBBLE ENTRAPMENT.
- KEEP EACH ITV AND LFU WIRE HARNESS WITH UNIT IT WAS CALIBRATED WITH. DO NOT USE CABLES FROM OTHER LFC UNITS.
- INFINILINK PID+ MUST BE RAN ON UNIT BEFORE USE.
- FOR OPTIMAL PERFORMANCE, FLUID TEMPERATURE MUST REMAIN CONSISTANT AND HAVE SIMILAR VISCOSITY TO DI WATER.
- ACTUAL RANGE DEPENDS ON THE LOW FLOW CUT OFF SETTING BASED ON THE FLOW RANGE OF THE UNIT.