

ON SMD

HOW TO ORDER

LVQ 2 0 0 - Z 0 7 □

BODY CLASS

CLASS	ORIFICE SIZE
2	φ6

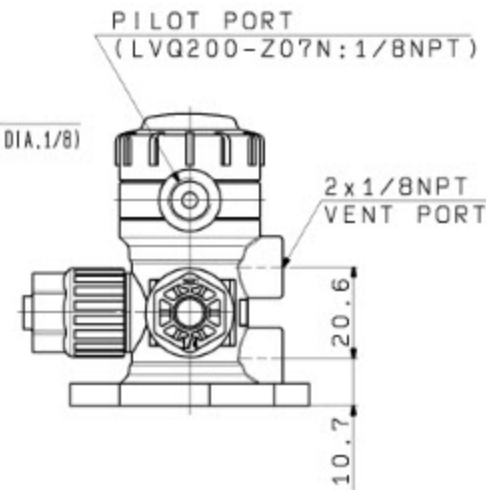
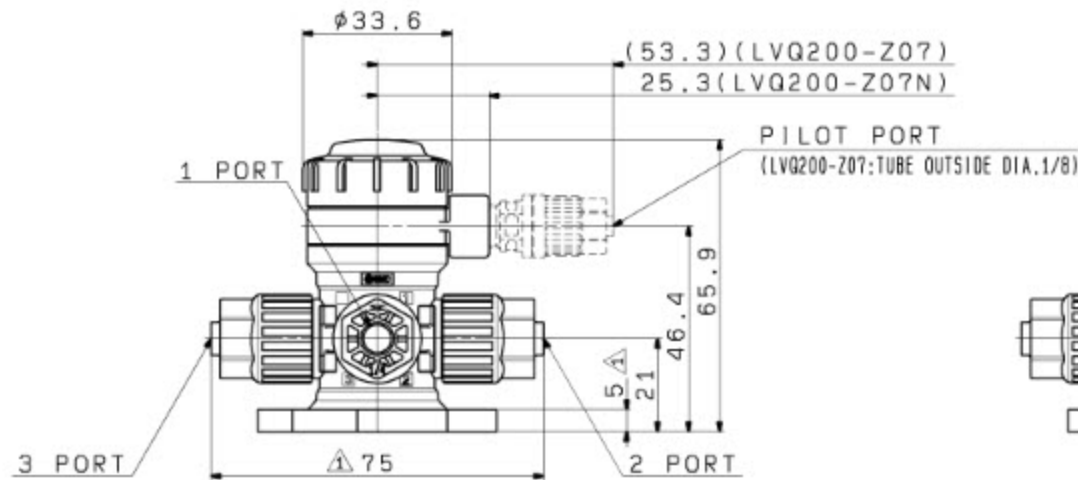
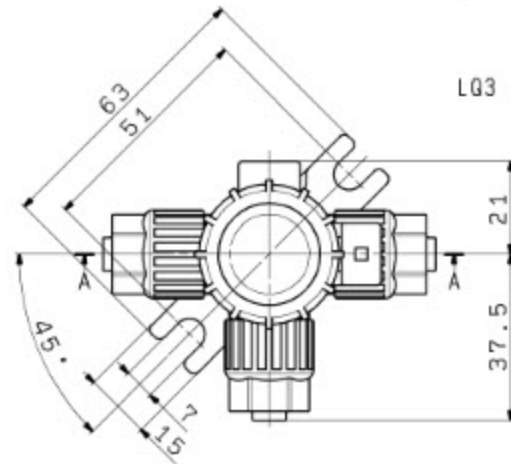
PILOT PORT TYPE

NIL	LQ3 INTEGRAL FITTING	TUBE OUTSIDE DIA. 1/8
	N	THREAD TYPE 1/8NPT

FITTING

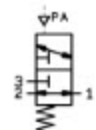
SYMBOL	TUBE O.D	CLASS
07	1/4"x5/32"	2

LQ3 INTEGRAL FITTING



△ SPECIFICATIONS

OPERATING PRESSURE MPa	1PORT-2,3PORT	0 to 0.6
	2,3PORT-1PORT	0 to 0.2
PILOT PRESSURE MPa		0.45 to 0.6
MEDIA		DI WATER-CHEMICAL LIQUID
ORIFICE SIZE mmφ		6
Cv FACTOR		0.35
FLUID TEMPERATURE °C		0 to 100
AMBIENT TEMPERATURE °C		0 to 60
MATERIALS OF DIAPHRAGM		PTFE
MAIN PARTS BODY		NEW PFA
PORT SIZE		TUBE SIZE 1/4"x5/32"



SYMBOL

FINISH: 表面処理 / PAINT: 塗装 / PACKING: 包装材
MATERIAL: 材質 / MATERIAL SIZE: 材料寸法



3 TO DIMG SPECIFICATIONS, AND ADDITION IN DIMENSION (SIS-15-12T: HATTA, LVQ200-Z07)	FINISH		
INITIAL RELEASE (1997-11-MY: Okita)	PAINT		
REV. BY	DESCRIPTION	DATE PREPARED	REV. NO.
TOLERANCES JIS B 0405	SCALE	FREE	
RANGE (mm)	GRADE	THIRD ANGLE	
0.5-0.63	F	DWG NAME	
0.64	H	DIAPHRAGM TYPE AIR OPERATED VALVE	
0.63	K	DWG NO.	
0.63-1.25	M	© LVQ200-Z07*	
1.25-2.5	N	REVISION	
2.5-5	P	1	
5-10	R	DWG REC	
10-20	S	DWG ID: BA07981002	
20-50	T	SMC Corporation	
50-100	V		
100-200	X		

DWG NAME

DWG REC

DWG ID: BA07981002

SMC Corporation

ON SAC

HOW TO ORDER

LVQ 4 0 0 - Z

BODY CLASS	
CLASS	ORIFICE SIZE
4	φ12

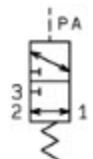
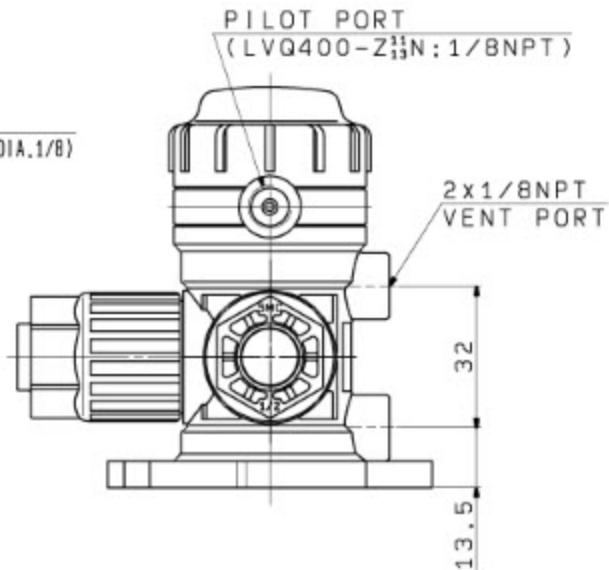
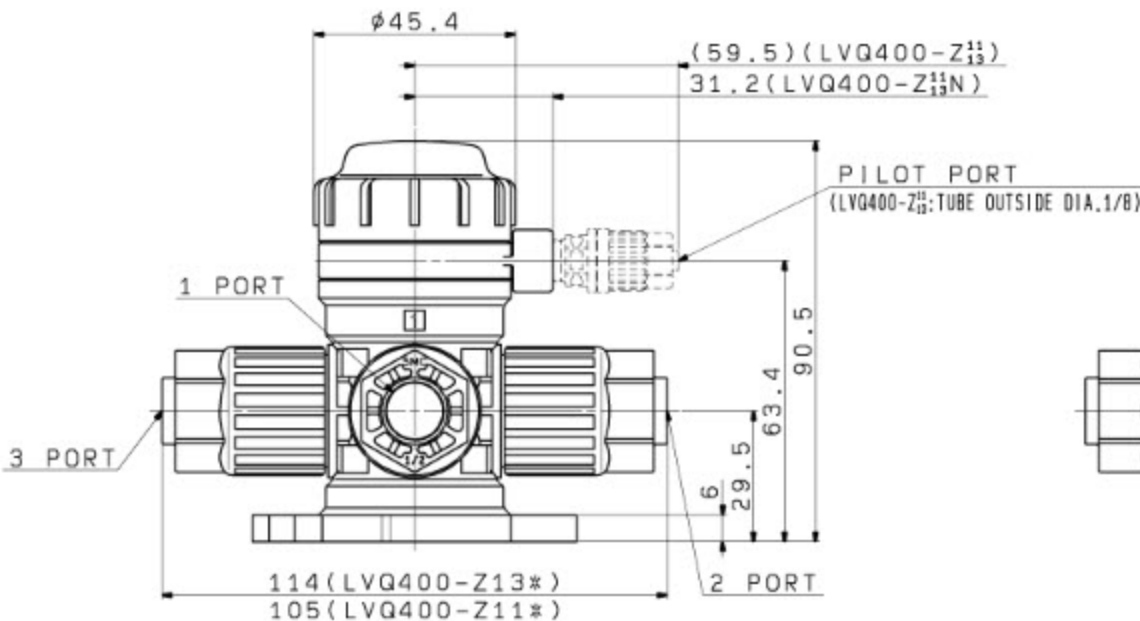
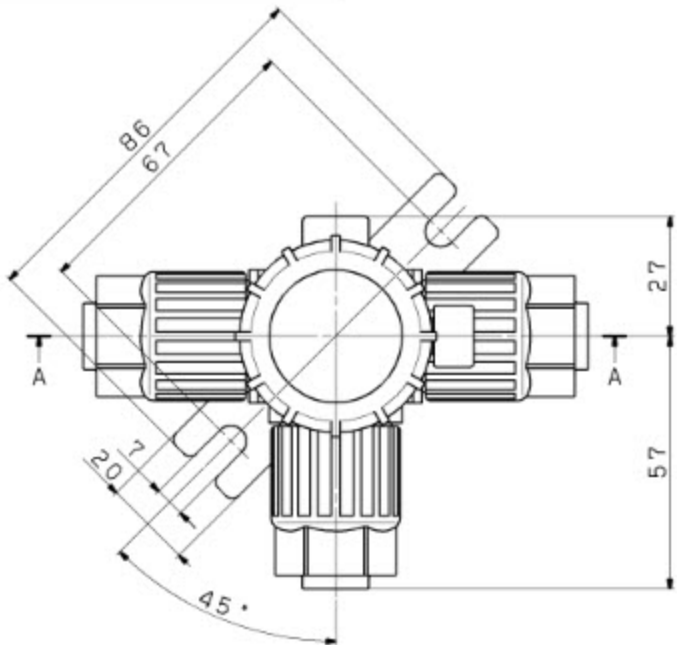
PILOT PORT TYPE		
NIL	LQ3 INTEGRAL FITTING	TUBE OUTSIDE DIA. 1/8
N	THREAD TYPE	1/8NPT

LQ3 INTEGRAL FITTING

FITTING		
SYMBOL	TUBE SIZE	CLASS
11	3/8"x1/4"	3
13	1/2"x3/8"	4

SPECIFICATIONS

OPERATING PRESSURE MPa	1PORT-2,3PORT	0 to 0.6
	2,3PORT-1PORT	0 to 0.2
PILOT PRESSURE MPa		0.45 to 0.6
MEDIA	PURE WATER·CHEMICAL LIQUID	
ORIFICE SIZE mmφ	12	
Cv. FACTOR		1.3(LVQ400-Z11*)
		1.9(LVQ400-Z13*)
FLUID TEMPERATURE °C	0 to 100	
AMBIENT TEMPERATURE °C	0 to 60	
MATERIALS OF MAIN PARTS	DIAPHRAGM	PTFE
	BODY	NEW PFA
PORT SIZE	TUBE SIZE 3/8"x1/4"(LVQ400-Z11*)	
	TUBE SIZE 1/2"x3/8"(LVQ400-Z13*)	



SYMBOL

FINISH:表面処理 / PAINT:塗料 / MASS:質量
PACKING:包装区分 / MATERIAL:材質
MATERIAL SIZE:材料寸法



1 TO CHANGE OPERATING PRESSURE MPa		712-N-18Y, Okita & LVQ400-DWG030	FINISH	
INITIAL RELEASE		712-N-18Y, Okita	PAINT	
QTY	DESCRIPTION	DATE PREPARED	REV NO	MODEL
TOLERANCES JIS B 0405		DRAWN Y. Furuhashi	SCALE	THIRD ANGLE
RANGE (mm)	GRADE	DATE 2012-05-18	FREE	
0.50-63	F, H, K, L, M, N, P, R, S, T, V, W, X, Y, Z	DESIGNED Y. Okita	DWG NAME	
3<D63	F, H, K, L, M, N, P, R, S, T, V, W, X, Y, Z	DATE 2012-05-18	DIAPHRAGM TYPE AIR OPERATED VALVE	
6<D63	F, H, K, L, M, N, P, R, S, T, V, W, X, Y, Z	CHECKED	DWG NO	REVISION
10<D63	F, H, K, L, M, N, P, R, S, T, V, W, X, Y, Z	DATE	© LVQ400-Z11*	1
15<D63	F, H, K, L, M, N, P, R, S, T, V, W, X, Y, Z	APPROVED T. Maruyama	DWG ID: BA07975603	
20<D63	F, H, K, L, M, N, P, R, S, T, V, W, X, Y, Z	DATE 2012-05-18	SMC Corporation	

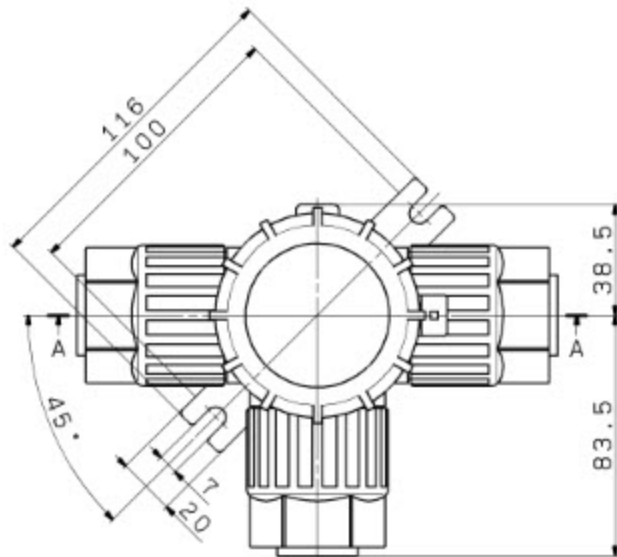
DWG NAME

DWG REC

DWG ID: BA07975603

SMC Corporation

ON 9AD



HOW TO ORDER

LVQ600-Z

BODY CLASS	
CLASS	ORIFICE SIZE
6	φ22

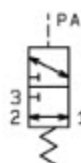
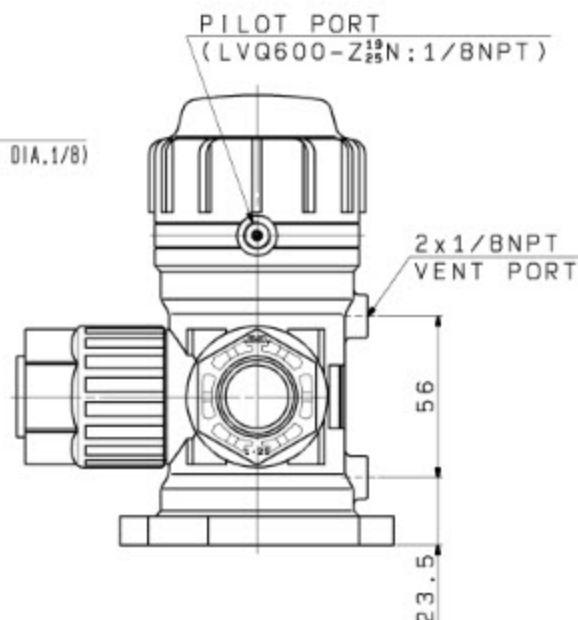
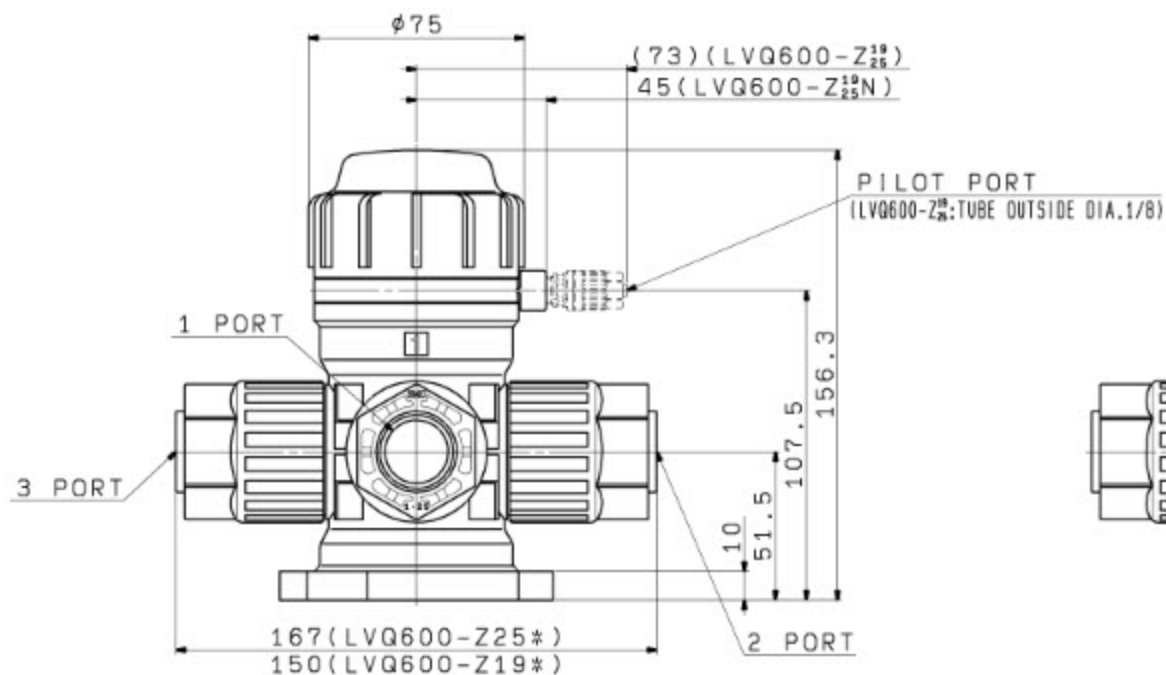
PILOT PORT TYPE	
NIL	LQ3 INTEGRAL FITTING TUBE OUTSIDE DIA. 1/8
N	THREAD TYPE 1/8NPT

LQ3 INTEGRAL FITTING

FITTING	
SYMBOL	TUBE O.D CLASS
19	3/4" x 5/8" 5
25	1" x 7/8" 6

SPECIFICATIONS

OPERATING PRESSURE MPa	1PORT-2,3PORT	0 to 0.6
PILOT PRESSURE MPa	2,3PORT-1PORT	0 to 0.2
MEDIA		PURE WATER-CHEMICAL LIQUID
ORIFICE SIZE mmφ		22
Cv. FACTOR		5 (LVQ600-Z19*) 8 (LVQ600-Z25*)
FLUID TEMPERATURE °C		0 to 100
AMBIENT TEMPERATURE °C		0 to 60
MATERIALS OF MAIN PARTS	DIAPHRAGM BODY	PTFE NEW PFA
PORT SIZE		TUBE SIZE 3/4" x 5/8" (LVQ600-Z19*) TUBE SIZE 1" x 7/8" (LVQ600-Z25*)



SYMBOL

FINISH: 表面処理 / PAINT: 塗装 / MASS: 質量
PACKING: 包装方法 / MATERIAL: 材質
MATERIAL SIZE: 材質寸法



TOLERANCES UNLESS OTHERWISE SPECIFIED		SCALE		FINISH	
RANGE (mm)	T	H	C	PAINT	
0.5-0.625	±0.05	±0.1	±0.2	MASS	
0.625-1.25	±0.06	±0.15	±0.3	PACKING	
1.25-2.5	±0.08	±0.2	±0.4	MODEL	011
2.5-5	±0.1	±0.25	±0.5	THIRD ANGLE	☉
5-10	±0.15	±0.3	±0.6		
10-20	±0.2	±0.4	±0.8		
20-50	±0.3	±0.6	±1.2		
50-100	±0.4	±0.8	±1.6		
100-200	±0.5	±1.2	±2.4		
DRAWN Y. Furuhashi		DATE 2012-05-18		DWG NAME	
DESIGNED Y. Okita		DATE 2012-05-18		DIAPHRAGM TYPE AIR OPERATED VALVE	
CHECKED		DATE		DWG NO	
APPROVED T. Maruyama		DATE 2012-05-18		© LVQ600-Z19* 25*	
DWG REC		DWG ID: BA11161102		SMC Corporation	

DWG NAME DIAPHRAGM TYPE AIR OPERATED VALVE