

Manually Operated Chemical Valve

Non-Metallic Exterior

Series LVQH

How to Order Valve

LVQH **2** 0 - Z **07** - **1**

Body class

Symbol	Body class	Orifice dia.
2	2	ø4
3	3	ø8
4	4	ø10
5	5	ø16
6	6	ø22

LQ3

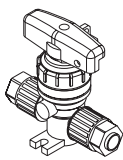
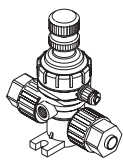
Handle operation type

1	Quarter-turn
2	Multi-turn

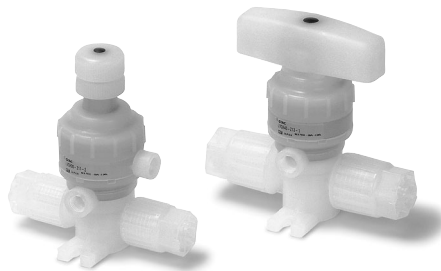
Applicable tubing size

Symbol	Connecting tubing O.D.	Body class					
		2	3	4	5	6	
Inch sizes							
03	1/8	○					
07	1/4	○	○				
11	3/8		○	○			
13	1/2			○	○		
19	3/4				○	○	○
25	1					○	○

Variations

Type	Model	Orifice dia.				
		LVQH20	LVQH30	LVQH40	LVQH50	LVQH60
		Connecting fitting size				
		Symbol				
Quarter-turn		○	○	○	○	○
Multi-turn		○	○	○	○	○

Specifications

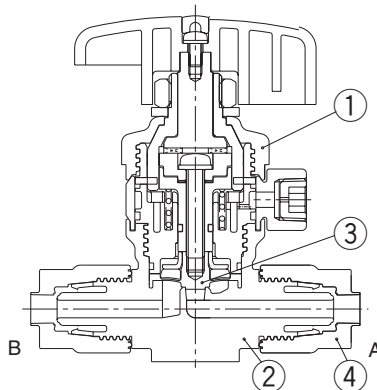


Model		LVQH20	LVQH30	LVQH40	LVQH50	LVQH60	
Tubing O.D.	Inch	1/4	3/8	1/2	3/4	1	
Orifice diameter	mmø	4	8	10	16	22	
Flow rate characteristics	Av x 10 ⁻⁶ m ²	8.4	31.2	45.6	120	192	
	Cv	0.35	1.3	1.9	5	8	
Withstand pressure	(MPa)	1					
Operating pressure	<flown A to B>	-98kPa to 0.5MPa			-98kPa to 0.4MPa		
Back pressure	(MPa)	0.3 or less			0.2 or less		
Valve leakage	(cm ³ /min)	0 (with water pressure)					
Fluid temperature	(°C)	0 to 100					
Ambient temperature	(°C)	0 to 60					
Weight	(kg)	LVQH□-1	0.12	0.28	0.31	1.00	1.13
		LVQH□-2	0.09	0.19	0.24	0.77	0.88

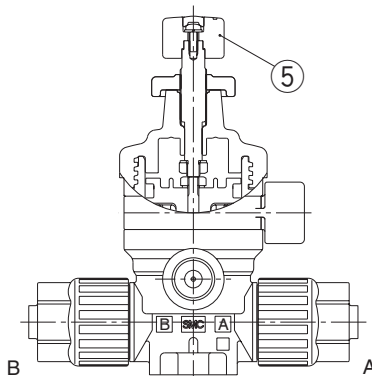
Series LVQH

Construction

Quarter-turn



Multi-turn (with flow rate adjustment)

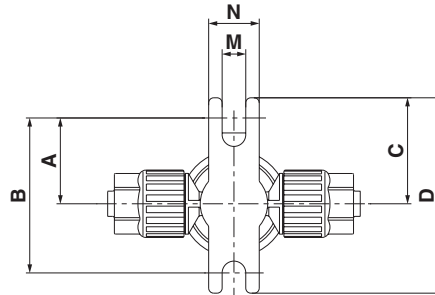
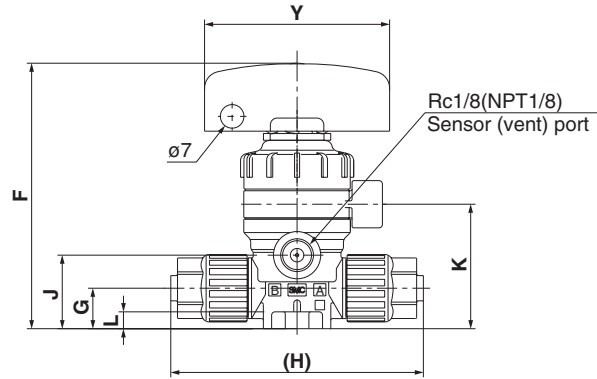
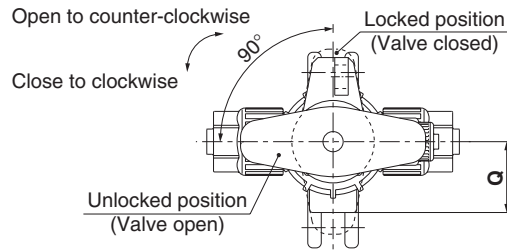


Parts list

No.	Description	Material
1	Actuator section	PVDF
2	Body	PFA
3	Diaphragm	PTFE
4	Nut	PFA
5	Flow rate adjustment unit	PVDF

Series LVQH

Dimensions



Model	A	B	C	D	F	G	H	J	K	L	M	N	Q	Y
LVQH20-Z□□-1	25.5	46	31.5	58	79	12	75	21.8	37	5	7	15	21	55
LVQH30-Z□□-1	23.5	47	29.5	59	103	16.5	103	32	50	6	7	20	25	80
LVQH40-Z□□-1	23.5	47	29.5	59	108	22	114	37.5	55.5	6	7	20	25	80
LVQH50-Z□□-1	35	70	41	82	165	25	150	50.2	78.2	10	7	20	38.5	110
LVQH60-Z□□-1	35	70	41	82	175	32	167	60	88	10	7	20	38.5	110

(mm)

Multi-turn (with flow rate adjustment)

Model	S
LVQH20-Z□□-2	83
LVQH30-Z□□-2	113.5
LVQH40-Z□□-2	119
LVQH50-Z□□-2	171.5
LVQH60-Z□□-2	182.5

