

# Made to Order Common Specifications: -XC82: Bottom Mounting Type



## 57 Bottom Mounting Type

Symbol  
**-XC82**

Since the guide rod does not protrude from the bottom at the retraction of the rod, relief holes for guide rods are not required.

### Applicable Series

Series	Description	Model	Action	Note	Vol. no. (for std model)
MGP	Compact guide cylinder	MGPM	Double acting		2-2 From P. 432

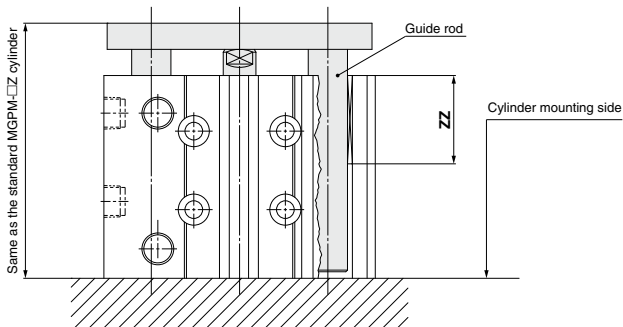
### How to Order

**MGP M 32 - 50 Z - -XC82**

- Compact guide cylinder
- Bearing Type
  - M Slide bearing
- Bore size (mm)
 

12	12 mm
16	16 mm
20	20 mm
25	25 mm
32	32 mm
40	40 mm
50	50 mm
63	63 mm
80	80 mm
100	100 mm
- Port thread type
- Cylinder stroke (mm)
 

Bore size (mm)	Applicable stroke (mm)
12 to 25	75, 100
32 to 100	25, 50, 75, 100
- Auto switch
- Suffix for auto switch
- Bottom mounting type



(Note) The total length (ZZ) of the guide rod bushing is shorter than the standard type.