

AIR CHUCK SERIES MHR BORE SIZES: Ø10, 15, 20, 30MM

- ✓ 2 and 3 Finger Versions
- ✓ Auto Switch Available
- ✓ High Positioning Accuracy
- ✓ Compact Design
- ✓ Mounting Options: Axial, Lateral and Vertical
- ✓ Clean Room Applications



TECHNICAL SPECIFICATIONS

Model Specifications	2 Finger Type				3 Finger Type	
	10	15	20	30	10	15
Nominal Size	10	15	20	30	10	15
Action	Double acting					
Holding Force N	12	24	33	58	7	13
at 0.5MPa / 73PSI	12	25	34	59	6.5	12
Opening/Closing Stroke	10	14	16	19	16	19
(Both sides)	16	22	28	37	22	27
Finger closing width (mm)	6	8	12	18	6	8
Finger opening width (mm)	100(95)	180(175)	390(380)	760(740)	120(125)	225(230)
Stroke (mm)	M3x0.5	M3x0.5	M5x0.8	M5x0.8	M3x0.5	M3x0.5
Weight (g)	0.01mm	0.01mm	0.01mm	0.01mm	0.01mm	0.01mm
Connection Port	Air	Air	Air	Air	Air	Air
Repeatability	0.2~0.6MPa	0.15~0.6MPa			0.2~0.6MPa	0.15~0.6MPa
Fluid	(29~87PSI)	22~87PSI			29~87PSI	22~87PSI
Operating Pressure	0 ~ 6.0 °C (3.2 ~ 14.0 °F)					
Ambient and Fluid Temperature	180 c.p.m					
Max Operating Frequency	Non lube					
Lubrication	M3x0.5					
Relief Port (Clean Room only)	M5x0.8					

ACCESSORIES

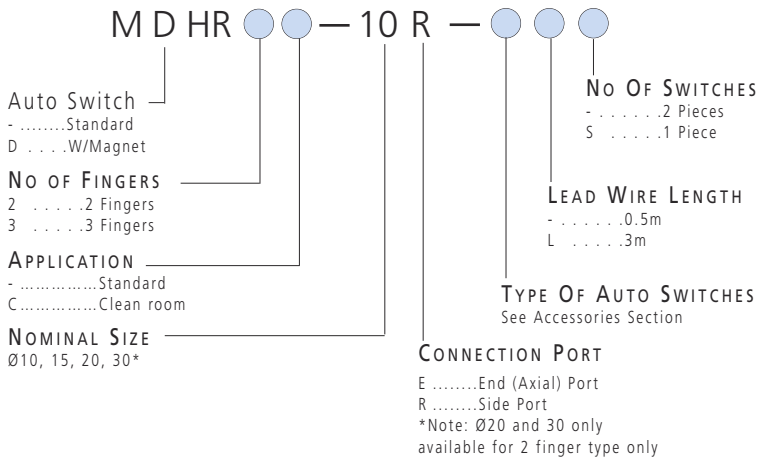
AUTO SWITCHES

Auto Switch Model No	D-F9NL	D-F9NVL	D-F9PL	D-F9PVL	D-F9BL	D-F9BVL
Electrical Entry	In-line	Perpendicular	In-line	Perpendicular	In-line	Perpendicular
Wiring	3 Wire	3 Wire	3 Wire	3 Wire	2 Wire	2 Wire
Output	NPN	NPN	PNP	PNP	-	-
Applications	24VDC relay, Sequence Controller					
Supply Voltage	24VDC (10 ~ 28VDC)					
Current Consumption	8mA or Less	8mA or Less	10mA or Less	10mA or Less	-	-
Load Voltage	28VDC or Less	28VDC or Less	-	-	24VDC(10~28VDC)	24VDC(10~28VDC)
Load Current	50mA or Less	50mA or Less	50mA or Less	50mA or Less	5~30mA	5~30mA
Internal Voltage Drop	0.4V or Less	0.4V or Less	1.5V or Less	1.5V or Less	4.5V or Less	4.5V or Less
Leakage Current	10µA or Less at 24VDC					
Indicator Lamp	ON: Red Light emitting diode					

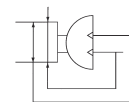
Note: Pre-wired Switches with 3/4 Pin Connectors available, please consult SMC Customer Service

HOW TO ORDER

SERIES MHR



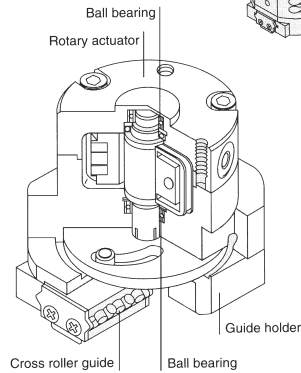
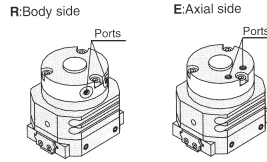
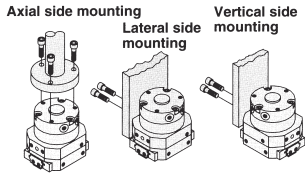
SYMBOLS



FOR MORE TECHNICAL INFORMATION ON THIS SERIES, PLEASE REFER TO CAT:N360

PRODUCT
SELECTOR
MOUNTING

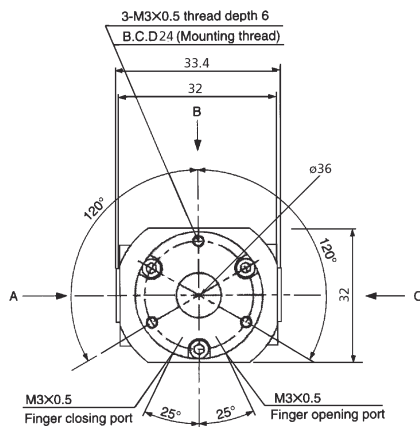
Mounting can be done from 3 directions.



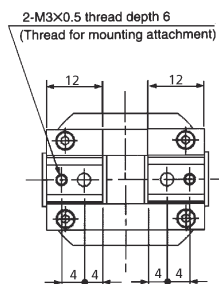
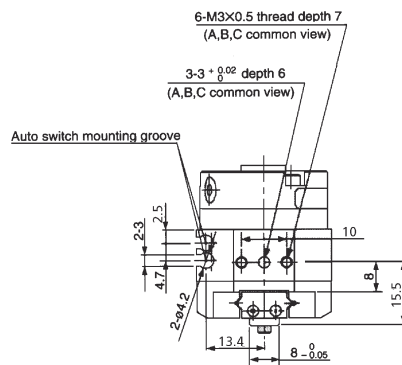
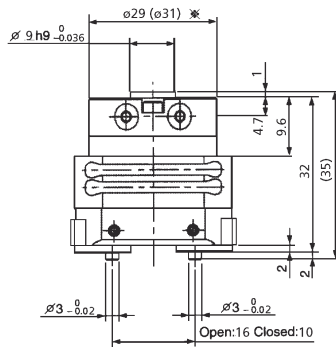
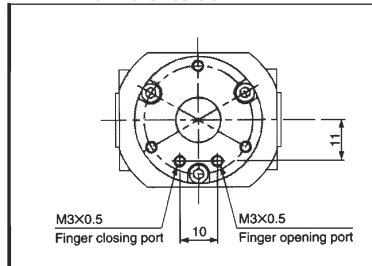
FOR MORE TECHNICAL INFORMATION ON
THIS SERIES, PLEASE REFER TO CAT:N360

DIMENSIONS

WITH AUTO SWITCH (BUILT-IN MAGNET): MDHR2-10R/10E



MDHR2-10E Port Position



DIMENSIONS
SEE NEXT PAGE

SEE INSIDE FRONT COVER FOR
DETAILS OF YOUR LOCAL SALES OFFICE

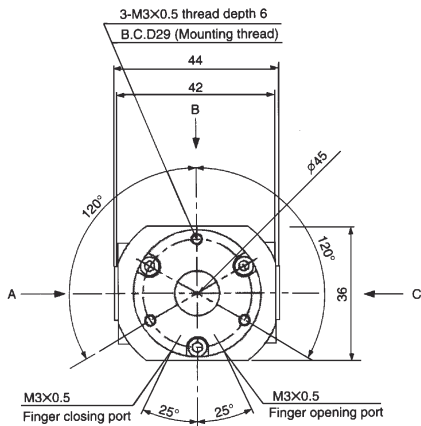


FOR FURTHER TECHNICAL
DETAILS ON THIS
PRODUCT REQUEST
CATALOG REFERENCE
N360

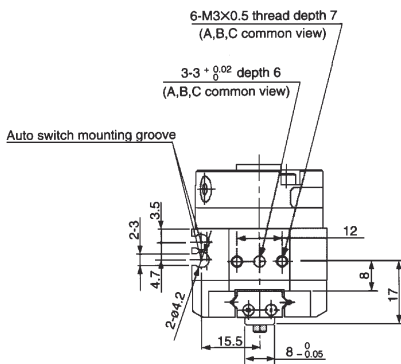
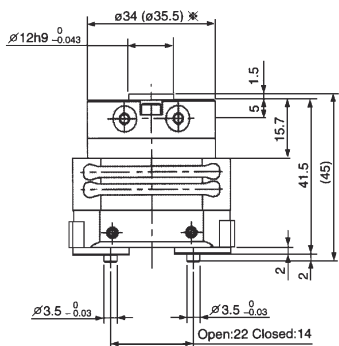
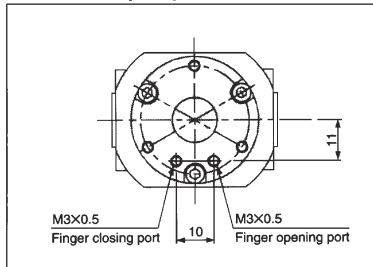
DIMENSIONS

WITH AUTO SWITCH (BUILT-IN MAGNET): MDHR2-15R/15E

DIMENSIONS
SEE NEXT PAGE

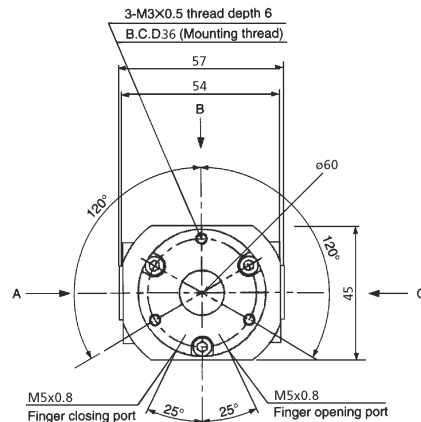
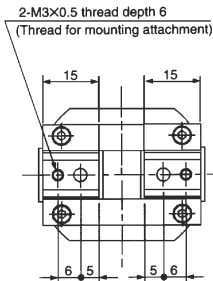


MDHR2-15E port position

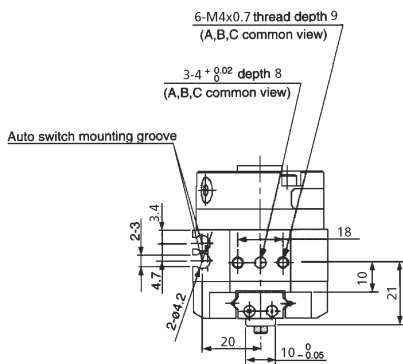
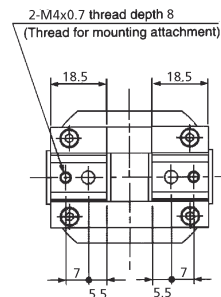
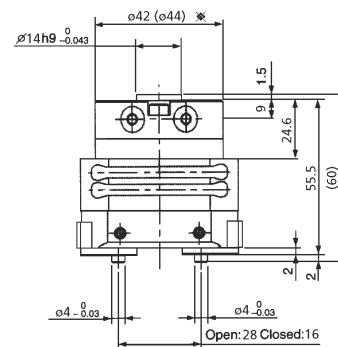
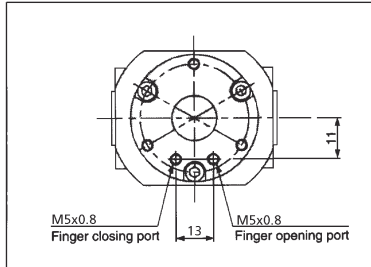


DIMENSIONS

WITH AUTO SWITCH (BUILT-IN MAGNET): MDHR2-20R/20E



MDHR2-20E Port Position



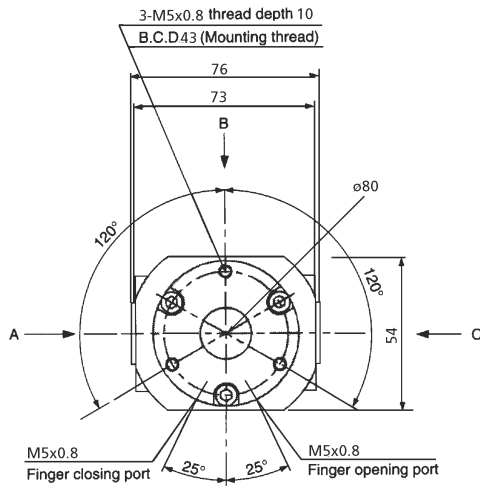
FOR MORE TECHNICAL INFORMATION ON THIS SERIES, PLEASE REFER TO CAT:N360



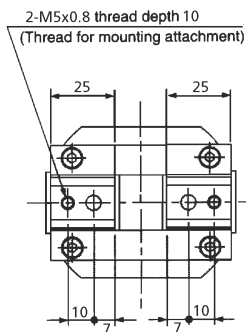
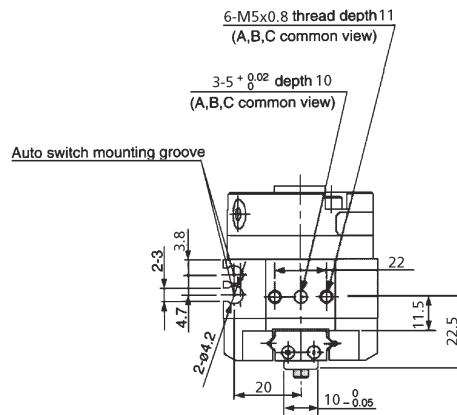
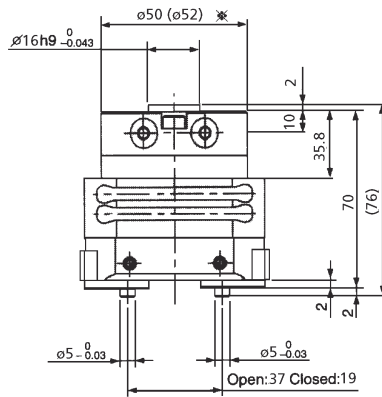
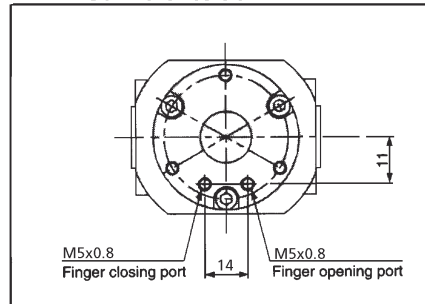
FOR FURTHER TECHNICAL
DETAILS ON THIS
PRODUCT REQUEST
CATALOG REFERENCE
N360

DIMENSIONS

WITH AUTO SWITCH (BUILT-IN MAGNET): MDHR2-30R/30E



MDHR2-30E Port Position



SEE INSIDE FRONT COVER FOR
DETAILS OF YOUR LOCAL SALES OFFICE

DIMENSIONS
SEE NEXT PAGE



FOR FURTHER TECHNICAL
DETAILS ON THIS
PRODUCT REQUEST
CATALOG REFERENCE
N360