

Compact Series (Without Auto Switch)

Series *MHZA2-6/MHZAJ2-6*

How to Order

MHZA **2** — **6** **D** □ □

MHZAJ **2** — **6** **D** □ □

With dust cover ●

Number of fingers ●

2	2 fingers
---	-----------

Bore size ●

6	6mm
---	-----

Action ●

D	Double acting
S	Single acting (normally open)
C	Single acting (normally closed)

Finger option ●

[Standard type]
Nil: Basic

1: Side tapped mounting

2: Through holes in opening/closing direction

3: Flat type fingers

● Dust cover type

Nil	Chloroprene rubber (CR)
F	Fluoro rubber (FKM)
S	Silicon rubber (Si)

● Body option

Nil: Basic

E: End boss type Side ported (double acting/single acting)

K: End boss type Axial port with ø4 One-touch fitting (single acting)

H: End boss type Axial port with ø4 hose nipple (single acting)

M: End boss type Axial M3 port (single acting)

Specifications



Fluid		Air	
Operating pressure	Double acting		0.15 to 0.7MPa
	Single acting	Normally open	0.3 to 0.7MPa
Normally closed			
Ambient and fluid temperature		-10 to 60 °C	
Repeatability		±0.01mm	
Maximum operating frequency		180c.p.m.	
Lubrication		Non-lube	
Action		Double acting, Single acting	

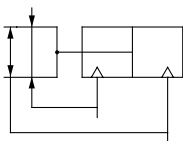
Models

Action	Model	Bore size (mm)	Gripping force ^{Note 1)}		Opening/Closing stroke (both sides) mm	Weight g	
			Gripping force per finger Effective value N				
			External gripping force	Internal gripping force			
Double acting	MHZA2-6D	6	3.3	6.1	4	26	
	MHZAJ2-6D	6					
Single acting	Normally open	MHZA2-6S	1.9	—	4	26	
		MHZAJ2-6S					6
	Normally closed	MHZA2-6C	6	—	3.7	4	26
		MHZAJ2-6C	6				

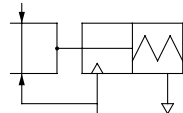
Note 1) Values based on pressure of 0.5MPa, gripping point L = 20mm, at center of stroke.

Symbols:

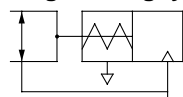
Double acting type



Single acting type, normally open



Single acting type, normally closed



Options

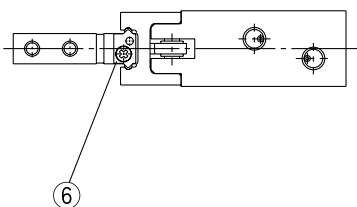
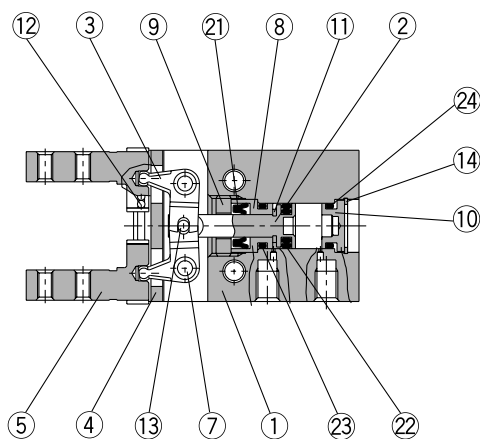
• Body options/End boss type

Symbol	Piping port position	Type of piping port	Applicable model	
		MHZA2-6/MHZAJ2-6	Double acting	Single acting
Nil	Standard	M3 x 0.5	●	●
E	Side ported	M3 x 0.5	●	●
K	Axial port	With ø4 One-touch fitting	—	●
H		With ø4 hose nipple	—	●
M		M3 x 0.5	—	●

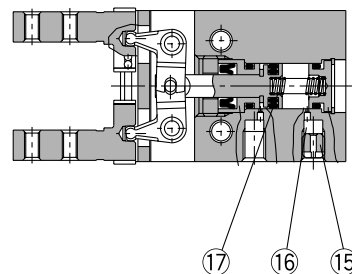
Series MHZA2-6/MHZAJ2-6

Construction/Standard Type MHZA2-6

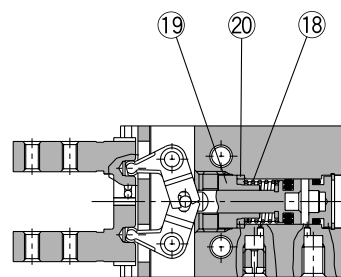
Double acting/with fingers open



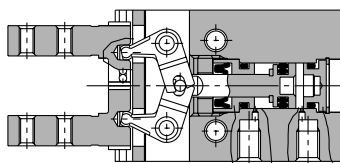
Single acting/normally open



Single acting/normally closed



Double acting/with fingers closed



Parts list

No.	Description	Material	Note
1	Body	Aluminum alloy	Hard anodized
2	Piston	Stainless steel	
3	Lever	Stainless steel	Heat treated
4	Guide	Stainless steel	Heat treated
5	Finger	Stainless steel	Heat treated
6	Roller stopper	Stainless steel	
7	Lever shaft	Stainless steel	Nitrided
8	Holder	Brass	Electroless nickel plated
9	Holder lock	Stainless steel	
10	Cap	Aluminum alloy	Clear anodized
11	Bumper	Urethane rubber	
12	Steel balls	High carbon chromium bearing steel	
13	Needle roller	High carbon chromium bearing steel	

Parts list

No.	Description	Material	Note
14	C type snap ring	Carbon steel	Nickel plated
15	Exhaust plug	Brass	Electroless nickel plated
16	Exhaust filter	Polyvinyl formal	
17	N.O. spring	Stainless steel spring wire	
18	N.C. spring	Stainless steel spring wire	
19	N.C. holder	Brass	Electroless nickel plated
20	N.C. spacer	Stainless steel	
21	Rod seal	NBR	
22	Piston seal	NBR	
23	Gasket	NBR	
24	Gasket	NBR	

Replacement parts: Seal kits

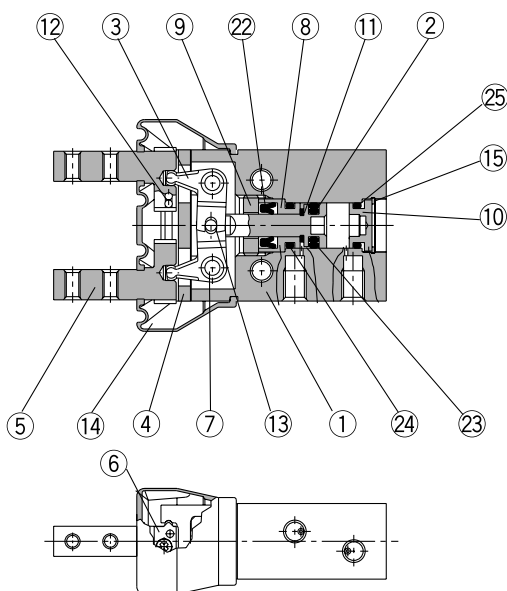
Seal kit no.	Description
MHZA6-PS	Kit includes items 21, 22, 23 and 24 from the table above.

* Seal kits consist of items 21, 22, 23 and 24 in one kit, and can be ordered using the seal kit number.

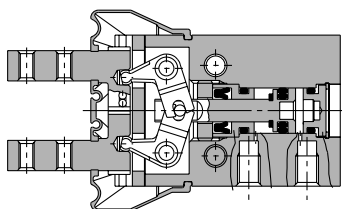
Note) Contact SMC when replacing seals.

Construction/With Dust Cover MHZAJ2-6

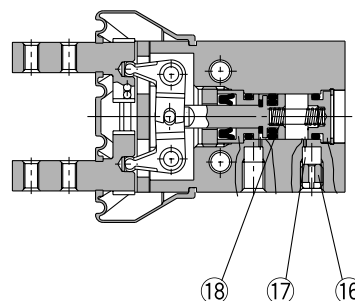
Double acting/with fingers open



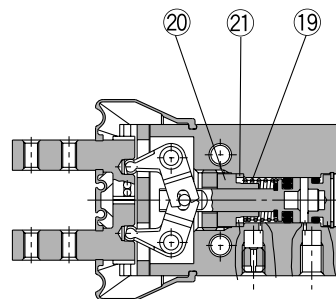
Double acting/with fingers closed



Single acting/normally open



Single acting/normally closed



Parts list

No.	Description	Material	Note
1	Body	Aluminum alloy	Hard anodized
2	Piston	Stainless steel	
3	Lever	Stainless steel	Heat treated
4	Guide	Stainless steel	Heat treated
5	Finger	Stainless steel	Heat treated
6	Roller stopper	Stainless steel	
7	Lever shaft	Stainless steel	Nitrided
8	Holder	Brass	Electroless nickel plated
9	Holder lock	Stainless steel	
10	Cap	Aluminum alloy	Clear anodized
11	Bumper	Urethane rubber	
12	Steel balls	High carbon chromium bearing steel	
13	Needle roller	High carbon chromium bearing steel	

Replacement parts: Seal kits

Seal kit no.	Description
MHZAJ6-PS	Kit includes items 22, 23, 24 and 25 from the table above.

* Seal kits consist of items 22, 23, 24 and 25 in one kit, and can be ordered using the seal kit number.

Note) Contact SMC when replacing seals.

Parts list

No.	Description	Material	Note
14	Dust cover	CR	Chloroprene rubber
		FKM	Fluoro rubber
		Si	Silicon rubber
15	C type snap ring	Carbon steel	Nickel plated
16	Exhaust plug	Brass	Electroless nickel plated
17	Exhaust filter	Polyvinyl formal	
18	N.O. spring	Stainless steel spring wire	
19	N.C. spring	Stainless steel spring wire	
20	N.C. holder	Brass	Electroless nickel plated
21	N.C. spacer	Stainless steel	
22	Rod seal	NBR	
23	Piston seal	NBR	
24	Gasket	NBR	
25	Gasket	NBR	

Replacement parts: Dust covers

Material	Part number
CR	MHZAJ2-J6
FKM	MHZAJ2-J6F
Si	MHZAJ2-J6S

Series MHZA2-6/MHZAJ2-6

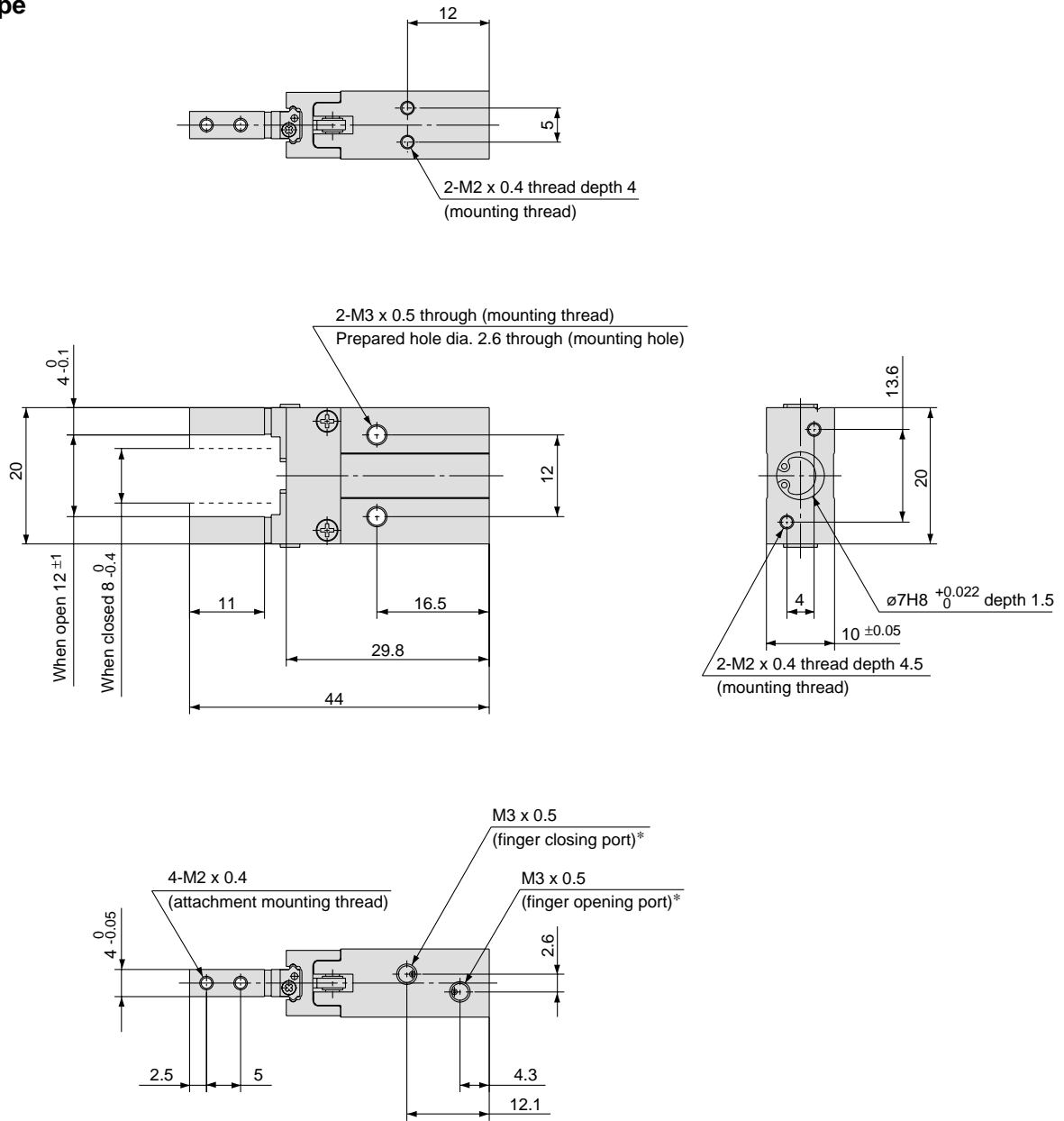
Dimensions/Standard Type

MHZA2-6□

Double acting/Single acting

Basic Type

Scale: 100%

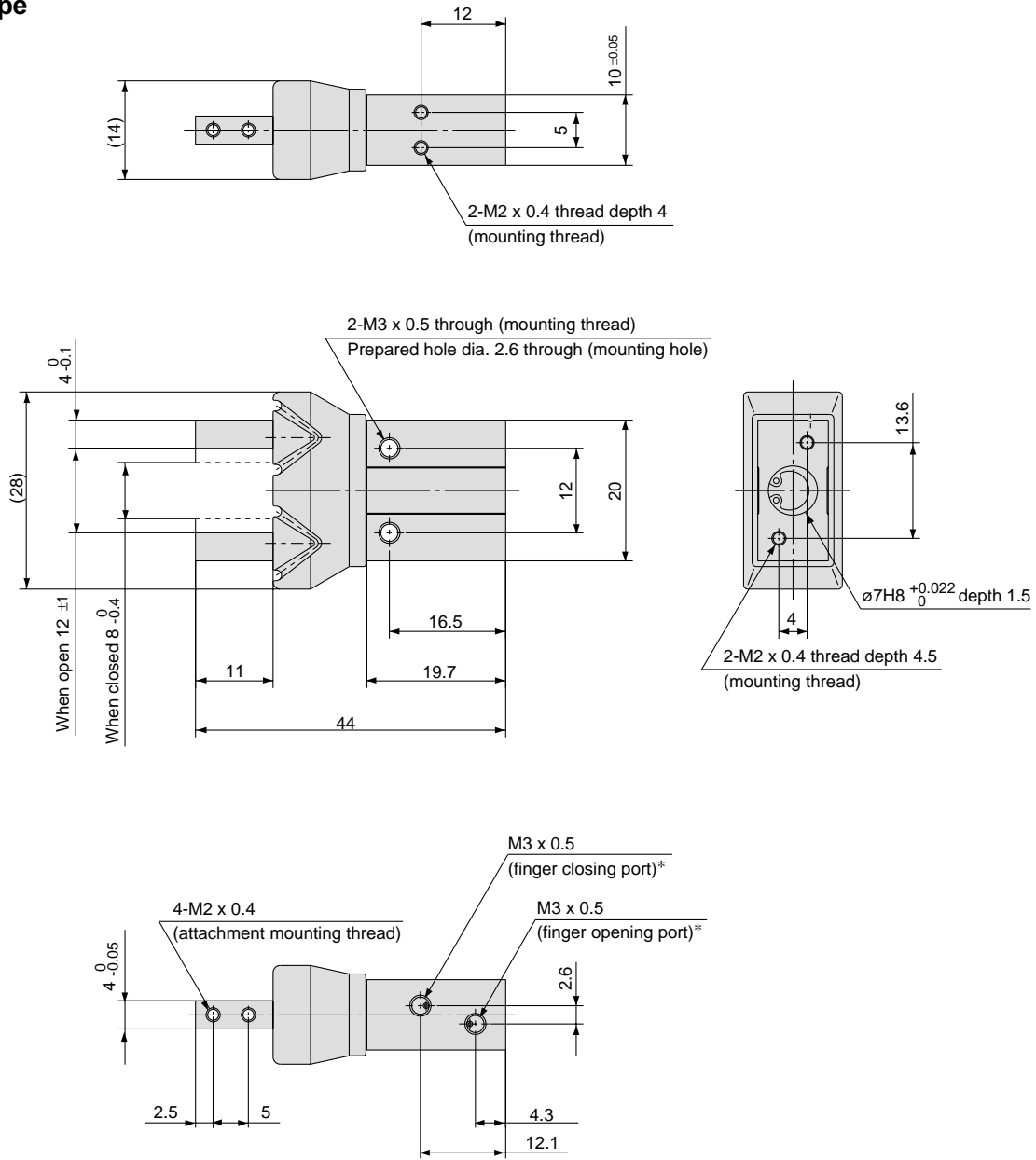


* For single action, the port on one side is a breathing hole

Dimensions/With dust cover

MHZAJ2-6□
Double acting/Single acting
Basic Type

Scale: 100%



* For single action, the port on one side is a breathing hole.

Compact Series
 MHZA2-6/MHZAJ2-6

Standard Type
 MHZ2

Long Stroke
 MHZL2

With Dust Cover
 MHZJ2

Auto Switches

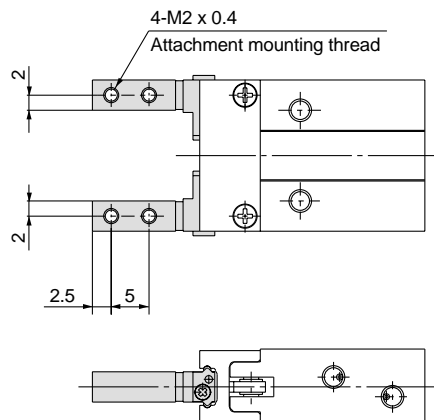
Order Made

Model Selection

Precautions

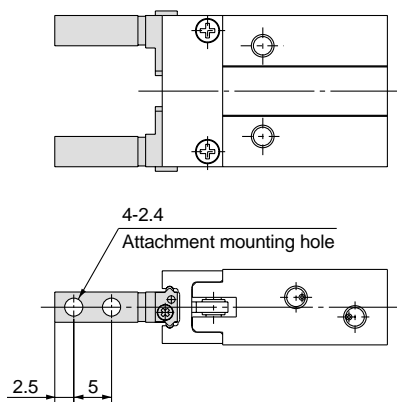
Series MHZA2-6 Finger Options

Side Tapped Mounting [1]



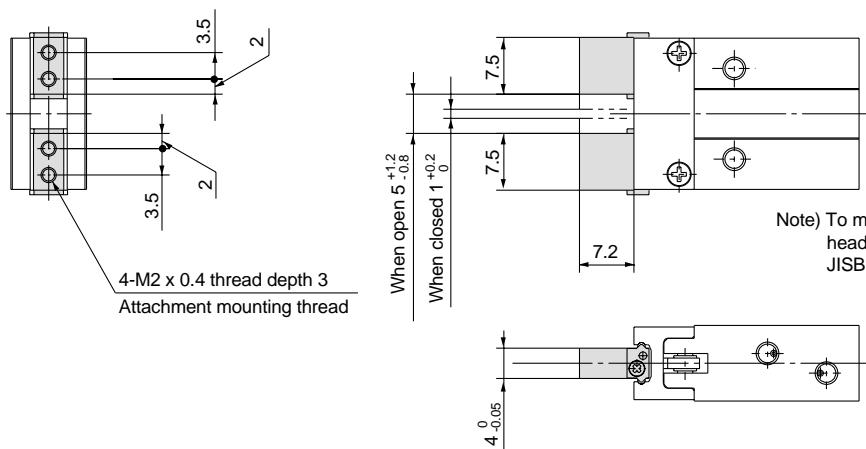
* Specifications and dimensions other than the above are the same as the basic type.

Through Holes in Opening/Closing Direction [2]



* Specifications and dimensions other than the above are the same as the basic type.

Flat Type Fingers [3]



Note) To mount attachments, use M2 hexagon socket head cap screws with $\phi 3.3$ top diameter, or JISB1101 type M2 round head screws.

Weight: 25g

* Specifications and dimensions other than the above are the same as the basic type.

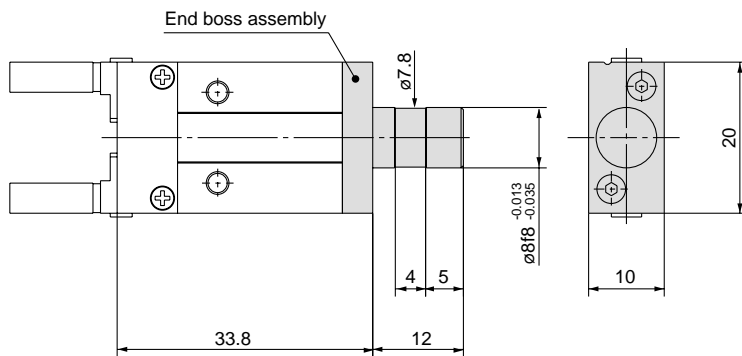
Body Options: End Boss Type

Applicable Models

Symbol	Piping port position	Type of piping port		Applicable model	
		MHZA2	MHZAJ2	Double acting	Single acting
E	Side ported	M3 x 0.5		●	●
H	Axial port	With ø4 hose nipple		—	●
K		With ø4 One-touch fitting		—	●
M		M3 x 0.5		—	●

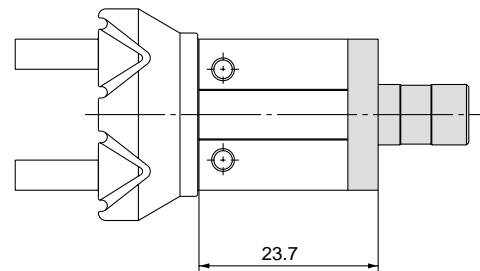
Side Ported [E]

MHZA2-6□□E



* Specifications and dimensions other than the above are the same as the basic type.

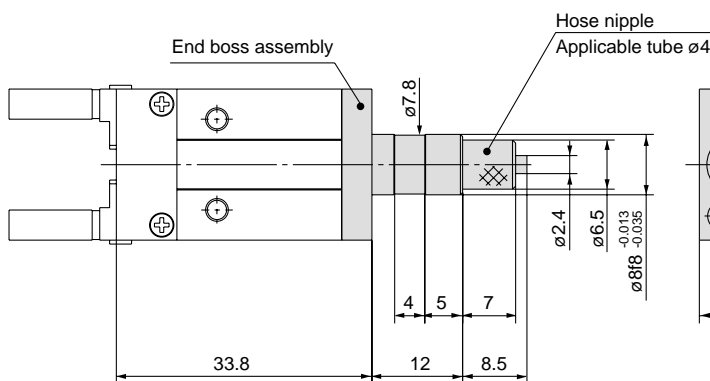
MHZAJ2-6□□E



* Specifications and dimensions other than the above are the same as the basic type or the end boss dimensions of the MHZA type.

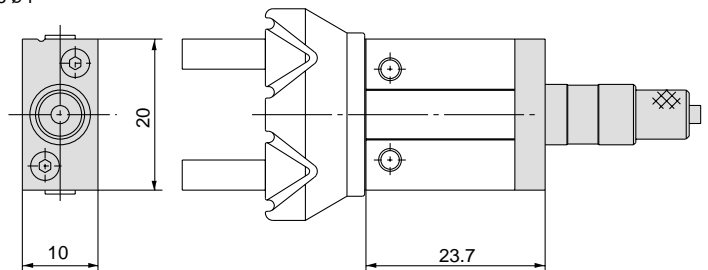
Axial Port (with Hose Nipple) [H]

MHZA2-6^S□□H



* Specifications and dimensions other than the above are the same as the basic type.

MHZAJ2-6^S□□H



* Specifications and dimensions other than the above are the same as the basic type or the end boss dimensions of the MHZA type.

Applicable Tubing

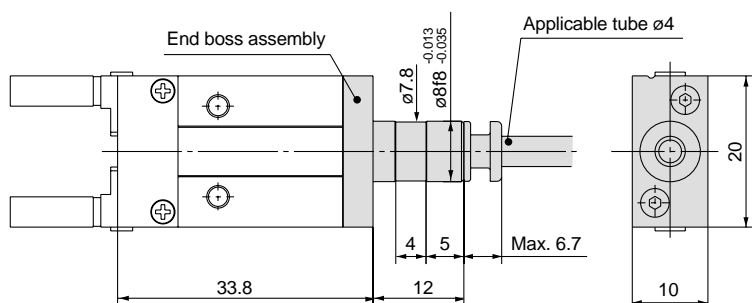
Description/Model	Nylon tubing	Soft nylon tubing	Polyurethane tubing	Polyurethane coiled tubing
Specification	T0425	TS0425	TU0425	TCU0425B-1
Outside diameter mm	4	4	4	4
Max. operating pressure MPa	1.0	0.8	0.5	0.5
Minimum bending radius mm	13	12	10	—
Operating temperature °C	-20 to 60	-20 to 60	-20 to 60	-20 to 60
Material	Nylon 12	Nylon 12	Polyurethane	Polyurethane

Refer to catalog CAT.501-B "Air Fittings and Tubing" regarding One-touch fittings and tubing.

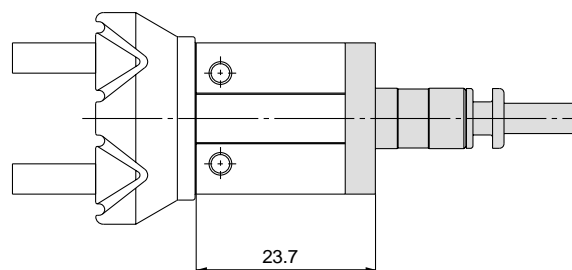
Series MHZA2-6/MHZAJ2-6

Axial Port (with One-touch Fitting) [K]

MHZA2-6 $\frac{6}{8}$ □□K



MHZAJ2-6 $\frac{6}{8}$ □□K



* Specifications and dimensions other than the above are the same as the basic type.

* Specifications and dimensions other than the above are the same as the basic type or the end boss dimensions of the MHZA type.

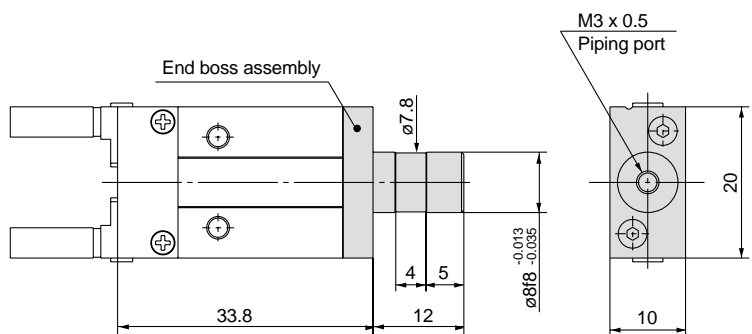
Applicable tubing

Description/Model	Nylon tubing	Soft nylon tubing	Polyurethane tubing	Polyurethane coiled tubing
	T0425	TS0425	TU0425	TCU0425B-1
Outside diameter mm	4	4	4	4
Max. operating pressure MPa	1.0	0.8	0.5	0.5
Minimum bending radius mm	13	12	10	—
Operating temperature °C	-20 to 60	-20 to 60	-20 to 60	-20 to 60
Material	Nylon 12	Nylon 12	Polyurethane	Polyurethane

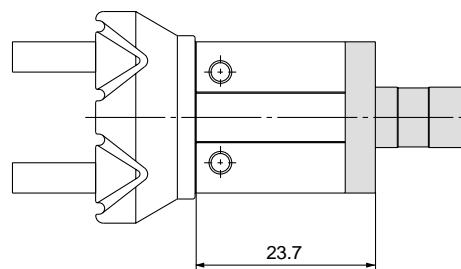
Refer to catalog CAT. 501-B "Air Fittings and Tubing" regarding One-touch fittings and tubing.

Axial Port (M3 Port) [M]

MHZA2-6 $\frac{6}{8}$ □□M



MHZAJ2-6 $\frac{6}{8}$ □□M



* Specifications and dimensions other than the above are the same as the basic type.

* Specifications and dimensions other than the above are the same as the basic type or the end boss dimensions of the MHZA type.

Weights

Model	End boss type (symbol)			
	E	H	K	M
MHZA2-6□□	28	28	28	28
MHZAJ2-6□□	29	29	29	29

Unit: g