

Mounting Bracket Part No.

Bracket \ Size	25	32	40	50
Foot ^{Note 1)}	MU-L02	MU-L03	MU-L04	MU-L05
Flange	MU-F02	MU-F03	MU-F04	MU-F05
Single clevis	MU-C02	MU-C03	MU-C04	MU-C05
Double clevis ^{Note 3)}	MU-D02	MU-D03	MU-D04	MU-D05



Note 1) When ordering foot brackets, order 2 pieces for each cylinder.

Note 2) The parts included with each bracket are shown below.

Foot, Flange, Single clevis/Body mounting bolt

Double clevis/Pins for clevis, C set ring for axis, Body mounting

Note 3) Clevis pin and snap ring are included with the double clevis type.

Auto Switch Mounting Bracket Part No.

Size	Bracket no.	Note	Applicable switch	
			Reed switch	Solid state switch
25, 32, 40, 50	BMU1-025	Auto switch mounting screw (M3 x 0.5 x 6.5) Auto switch mounting nut	D-A7□, D-A80 D-A7□H, D-A80H D-A73C, D-A80C D-A79W	D-F7□, D-J79 D-F7□V, D-J79C D-F7□W, D-J79W D-F7□WV, D-F7□F D-F7NTL D-F7BAL, F7BAVL
40, 50	BMU2-040	Auto switch mounting bracket Round head Philips screw (M3 x 0.5 x 14) Hexagon socket head cap bolt (M3 x 0.5 x 5) Flat washer, Auto switch mounting nut	—	D-P5DWL

*Stainless steel mounting screw kit

Use the following stainless steel mounting screw kit (includes nut) depending on the operating environment.

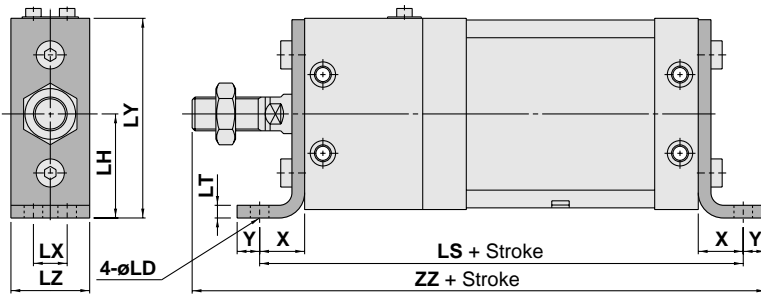
BBA2: D-A7/A8/F7/J7

The above stainless steel screw kit is used for auto switch D-F7BAL and D-F7BAVL when it is shipped mounted on a cylinder.

Also, BBA2 is included when a auto switch alone is shipped.

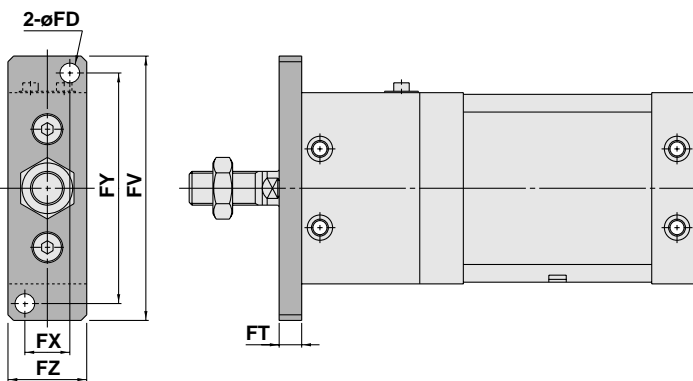
Dimensions

Axial foot type



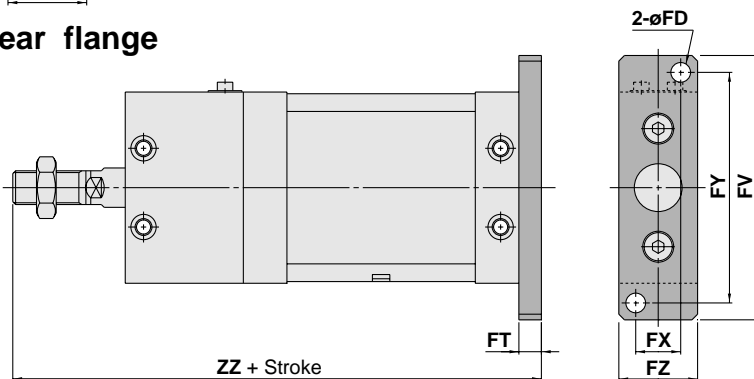
Model	LD	LH	LS	LT	LX	LY	LZ	X	Y	ZZ
MLUL25	5.5	29	114	3.2	11	56	23	12	6	144
MLUL32	6.6	37	132	4.5	12	71	27	16	8	164
MLUL40	9	46	140	4.5	15	89	31	18	10	177
MLUL50	11	57	166.5	5	18	109	37	21	11	209.5

Front flange type

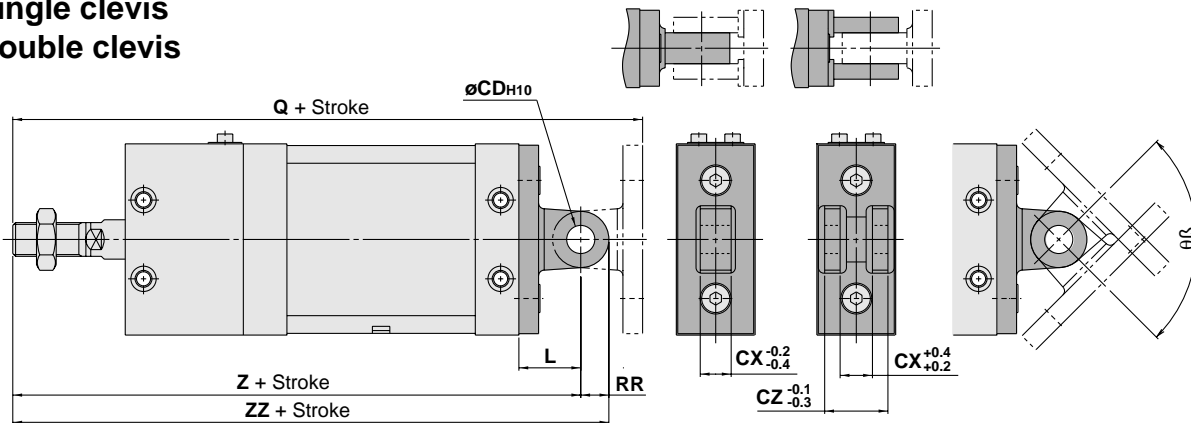


Model	FD	FT	FV	FX	FY	FZ	ZZ
MLUF25, MLUG25	5.5	8	76	14	66	24	134
MLUF32, MLUG32	7	8	94	16	82	28	148
MLUF40, MLUG40	9	9	118	18	102	32	158
MLUF50, MLUG50	11	12	144	22	126	39	189.5

Rear flange



Single clevis Double clevis



Model	CDH10	CX	CZ	L	Q	RR	Z	ZZ	Rotation angle
MLUC25, MLUD25	8 ^{+0.058} / ₀	9	18	17	160	8	143	151	100
MLUC32, MLUD32	10 ^{+0.058} / ₀	11	22	22	184	10	162	172	90
MLUC40, MLUD40	10 ^{+0.058} / ₀	13	26	27	203	10	176	186	80
MLUC50, MLUD50	14 ^{+0.070} / ₀	16	32	32	241.5	14	209.5	223.5	80