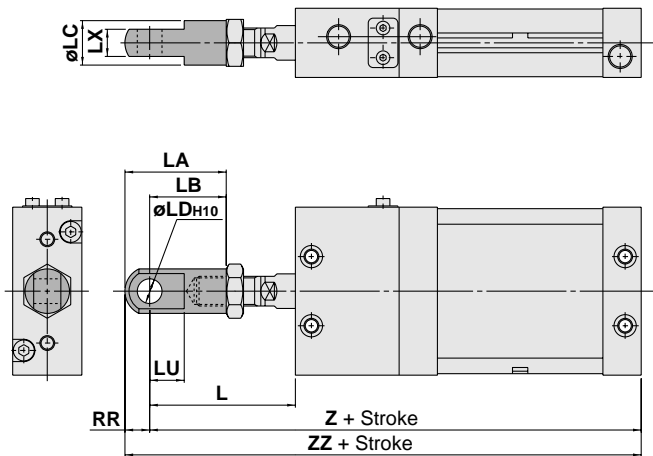


Series MLU

Accessories

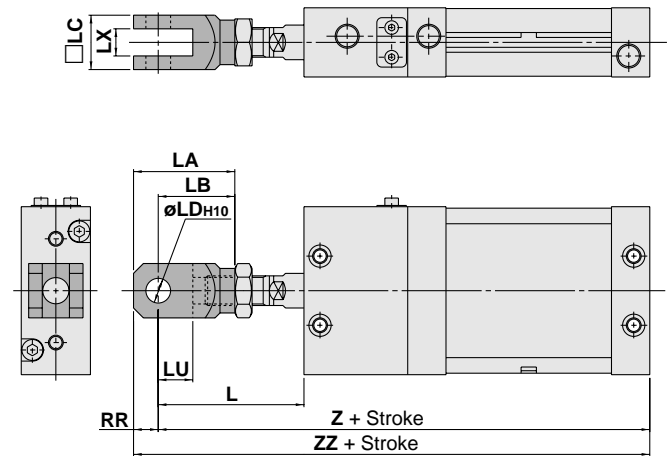
Single knuckle joint



Model	L	LA	LB	LC	LD	LU	LX	RR	Z	ZZ
MLU□25	52.5	35.5	27	16	$8^{+0.058}_0$	11	$9^{-0.2}_{-0.4}$	8.5	142.5	151
MLU□32	59	41	31	18	$10^{+0.058}_0$	14	$11^{-0.2}_{-0.4}$	10	159	169
MLU□40	67	47	36	20	$10^{+0.058}_0$	15	$13^{-0.2}_{-0.4}$	11	171	182
MLU□50	81	62	46	28	$14^{+0.070}_0$	20	$16^{-0.2}_{-0.4}$	16	205.5	221.5

The L, Z and ZZ dimensions are reference dimensions when mounting a single knuckle joint. Please use them as guidelines.

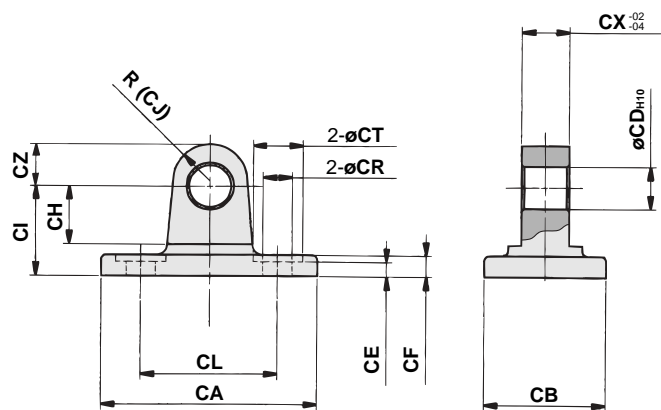
Double knuckle joint



Model	L	LA	LB	LC	LD	LU	LX	RR	Z	ZZ	Applicable pin no.
MLU□25	52.5	35	27	18	$8^{+0.058}_0$	13	$9^{+0.4}_{+0.2}$	8	142.5	150.5	CD-MU02
MLU□32	59	41	31	22	$10^{+0.058}_0$	14	$11^{+0.4}_{+0.2}$	10	159	169	CD-MU03
MLU□40	67	46	36	26	$10^{+0.058}_0$	17	$13^{+0.4}_{+0.2}$	10	171	181	CD-MU04
MLU□50	81	62	46	32	$14^{+0.070}_0$	23	$16^{+0.4}_{+0.2}$	16	205.5	221.5	CD-MU05

The L, Z and ZZ dimensions are reference dimensions when mounting a double knuckle joint. Please use them as guidelines.

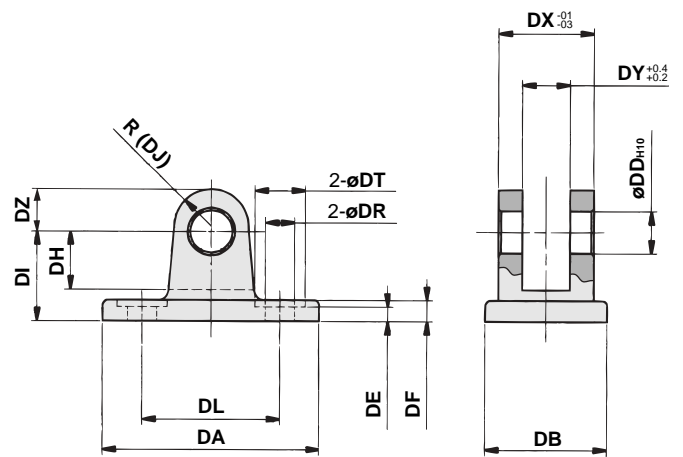
Single clevis (Double clevis bracket)



Part no.	Size	CA	CB	CD _{H10}	CE	CF	CH	CI	CJ
MU-C02	25	53	23	$8^{+0.058}_0$	3.5	4	11	17	7
MU-C03	32	67	27	$10^{+0.058}_0$	3.5	7	13	22	10
MU-C04	40	85	31	$10^{+0.058}_0$	3.5	10	13	27	10
MU-C05	50	103	37	$14^{+0.058}_0$	5.5	12	17	32	14

Part no.	CL	CR	CT	CX	CZ
MU-C02	26	5.3	9.5	9	8
MU-C03	42	6.4	11	11	10
MU-C04	54	8.4	14	13	10
MU-C05	64	10.5	17	16	14

Double clevis (Single clevis bracket)



Part no.	Size	DA	DB	DD _{H10}	DE	DF	DH	DI	DJ
MU-D02	25	53	23	$8^{+0.058}_0$	3.5	4	11	17	7
MU-D03	32	67	27	$10^{+0.058}_0$	3.5	7	13	22	10
MU-D04	40	85	31	$10^{+0.058}_0$	3.5	10	13	27	10
MU-D05	50	103	37	$14^{+0.070}_0$	5.5	12	17	32	14

Part no.	DL	DR	DT	DX	DY	DZ	Applicable pin no.
MU-D02	26	5.3	9.5	18	9	8	CD-MU02
MU-D03	42	6.4	11	22	11	10	CD-MU03
MU-D04	54	8.4	14	26	13	10	CD-MU04
MU-D05	64	10.5	17	32	16	14	CD-MU05

Clevis pins and snap rings are included with the double clevis type.