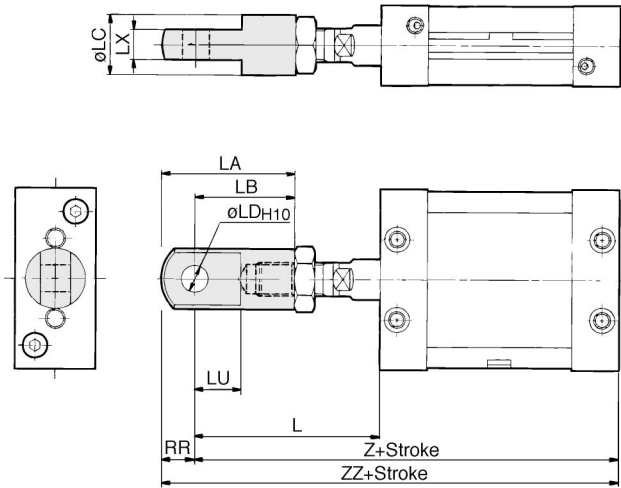


Plate Cylinder

Series MU

Accessory Dimensions

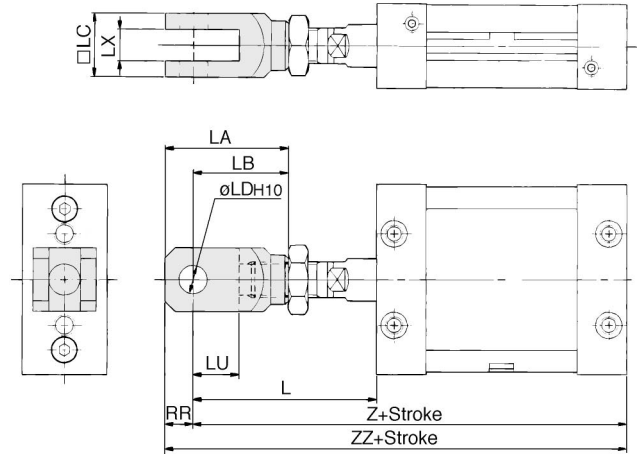
Single Knuckle Joint



Model	L	LA	LB	LC	LD	LU	LX	RR	Z	ZZ	(mm)
MU□25	52.5	35.5	27	16	8 ^{+0.058} ₀	11	9 ^{-0.2} _{-0.4}	8.5	107.5	116	
MU□32	59	41	31	18	10 ^{+0.058} ₀	14	11 ^{-0.2} _{-0.4}	10	117	127	
MU□40	67	47	36	20	10 ^{+0.058} ₀	15	13 ^{-0.2} _{-0.4}	11	127	138	
MU□50	81	62	46	28	14 ^{+0.070} ₀	20	16 ^{-0.2} _{-0.4}	16	155	171	
MU□63	84	62	46	28	14 ^{+0.070} ₀	20	16 ^{-0.2} _{-0.4}	16	159	175	

* Dimensions L, Z, and ZZ are reference dimensions for installing a single knuckle joint, which may be used as a guide.

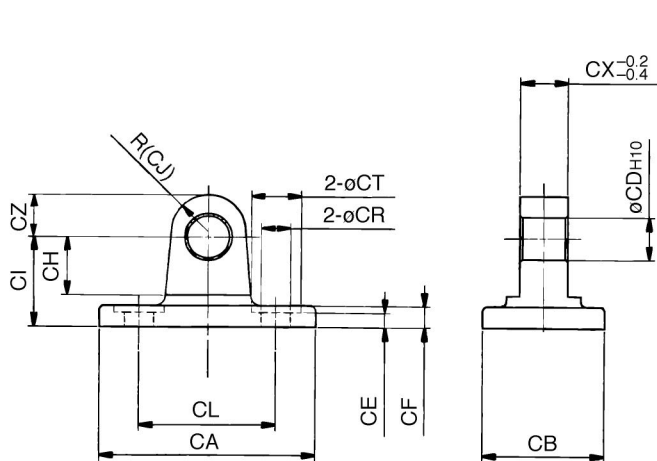
Double Knuckle Joint



Model	L	LA	LB	LC	LD	LU	LX	RR	Z	ZZ	Applicable pin	(mm)
MU□25	52.5	35	27	18	8 ^{+0.058} ₀	13	9 ^{+0.2} _{+0.4}	8	107.5	115.5	CD-MU02	
MU□32	59	41	31	22	10 ^{+0.058} ₀	14	11 ^{+0.2} _{+0.4}	10	117	127	CD-MU03	
MU□40	67	46	36	26	10 ^{+0.058} ₀	17	13 ^{+0.2} _{+0.4}	10	127	137	CD-MU04	
MU□50	81	62	46	32	14 ^{+0.070} ₀	23	16 ^{+0.2} _{+0.4}	16	155	171	CD-MU05	
MU□63	84	62	46	32	14 ^{+0.070} ₀	23	16 ^{+0.2} _{+0.4}	16	159	175	CD-MU05	

* Dimensions L, Z, and ZZ are reference dimensions for installing a double knuckle joint, which may be used as a guide.

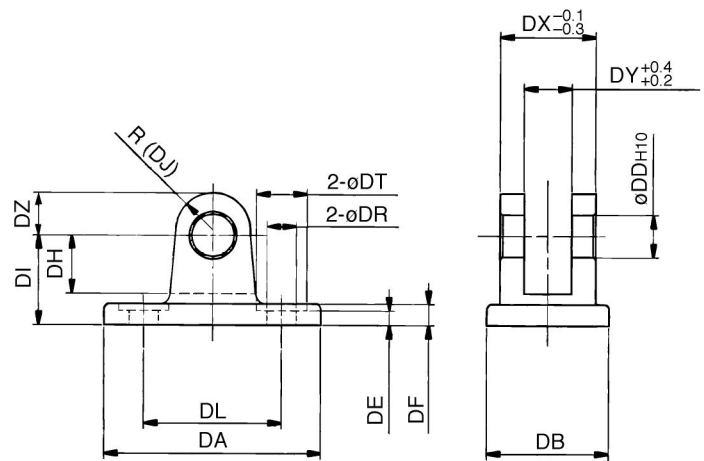
Single Clevis (Pivot Bracket for Double Clevis)



Part No.	Size	CA	CB	CDH10	CE	CF	CH	CI	CJ	(mm)
MU-C02	25	53	23	8 ^{+0.058} ₀	3.5	4	11	17	7	
MU-C03	32	67	27	10 ^{+0.058} ₀	3.5	7	13	22	10	
MU-C04	40	85	31	10 ^{+0.058} ₀	3.5	10	13	27	10	
MU-C05	50	103	37	14 ^{+0.070} ₀	5.5	12	17	32	14	
MU-C06	63	122	48	14 ^{+0.070} ₀	6	14	19	38	16	

Part No.	CL	CR	CT	CX	CZ
MU-C02	26	5.3	9.5	9	8
MU-C03	42	6.4	11	11	10
MU-C04	54	8.4	14	13	10
MU-C05	64	10.5	17	16	14
MU-C06	72	13	20	16	16

Double Clevis (Pivot Bracket for Single Clevis)



Part No.	Size	DA	DB	DDH10	DE	DF	DH	DI	DJ	(mm)
MU-D02	25	53	23	8 ^{+0.058} ₀	3.5	4	11	17	7	
MU-D03	32	67	27	10 ^{+0.058} ₀	3.5	7	13	22	10	
MU-D04	40	85	31	10 ^{+0.058} ₀	3.5	10	13	27	10	
MU-D05	50	103	37	14 ^{+0.070} ₀	5.5	12	17	32	14	
MU-D06	63	122	48	14 ^{+0.070} ₀	6	14	19	38	16	

Part No.	DL	DR	DT	DX	DY	DZ	Applicable pin
MU-D02	26	5.3	9.5	18	9	8	CD-MU02
MU-D03	42	6.4	11	22	11	10	CD-MU03
MU-D04	54	8.4	14	26	13	10	CD-MU04
MU-D05	64	10.5	17	32	16	14	CD-MU05
MU-D06	72	13	20	32	16	16	CD-MU05

Clevis pin and snap ring are packed with the double clevis style.