






# Standard Combinations

# Modular Air Combination Units

Standard combinations only — other combinations of Modular units are possible.

Model/Series	Port size	Filter NAF	Regulator NAR	Lubricator NAL	Filter Regulator	Mist Separator
<b>NAF+NAR+NAL</b> 	NAC1000	10-32 Nom. (M5)	NAF1000	NAR1000	NAL1000	
	NAC2000	1/8 • 1/4	NAF2000	NAR2000	NAL2000	
	NAC2500	1/4 • 3/8	NAF3000	NAR2500	NAL3000	
	NAC3000	1/4 • 3/8	NAF3000	NAR3000	NAL3000	
	NAC4000	1/4 • 3/8 • 1/2	NAF4000	NAR4000	NAL4000	
	NAC4000-N06	3/4	NAF4000-N06	NAR4000-N06	NAL4000-N06	
	NAC5000	3/4 • 1	NAF5000	NAR5000	NAL5000	
	NAC5500	1	NAF6000	NAR5000	NAL6000	
	NAC6000	1	NAF6000	NAR6000	NAL6000	
<b>NAW-NAL</b> 	NAC1010	10-32 Nom. (M5)			NAL1000	NAW1000
	NAC2010	1/8 • 1/4			NAL2000	NAW2000
	NAC3010	1/4 • 3/8			NAL3000	NAW3000
	NAC4010	1/4 • 3/8 • 1/2			NAL4000	NAW4000
	NAC4000-N06	3/4			NAL4000-N06	NAW4000-N06
<b>NAF+NAR</b> 	NAC1020	10-32 Nom. (M5)	NAF1000	NAR1000		
	NAC2020	1/8 • 1/4	NAF2000	NAR2000		
	NAC2520	1/4 • 3/8	NAF3000	NAR2500		
	NAC3020	1/4 • 3/8	NAF3000	NAR3000		
	NAC4020	1/4 • 3/8 • 1/2	NAF4000	NAR4000		
	NAC4020-N06	3/4	NAF4000-N06	NAR4000-N06		
	NAC5020	3/4 • 1	NAF5000	NAR5000		
	NAC5520	1	NAF6000	NAR5000		
	NAC6020	1	NAF6000	NAR6000		
<b>NAF-+NAFM+NAR</b> 	NAC2030	10-32 Nom. (M5)	NAF2000	NAR2000		NAFM2000
	NAC2530	1/8 • 1/4	NAF3000	NAR2500		NAFM3000
	NAC3030	1/4 • 3/8	NAF3000	NAR3000		NAFM3000
	NAC4030	1/4 • 3/8 • 1/2	NAF4000	NAR4000		NAFM4000
	NAC4030-N06	3/4	NAF4000-N06	NAR4000-N06		NAFM4000-N06
<b>NAW+NAFM</b> 	NAC2040	1/8 • 1/4			NAW2000	NAFM2000
	NAC3040	1/4 • 3/8			NAW3000	NAFM3000
	NAC4040	1/4 • 3/8 • 1/2			NAW4000	NAFM4000
	NAC4040-N06	3/4			NAW4000-N06	NAFM4000-N06

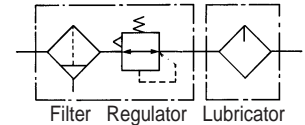
# NAC Series

# Modular Air Combination Units

Filter+Regulator+Lubricator

NAC1000, 2000, 2500, 3000, 4000, 5000, 5500, 6000

ANSI SYMBOL



NAC4000



NAC3000



NAC2000

## Specifications

Model		NAC1000	NAC2000	NAC2500	NAC3000	NAC4000	NAC4000-N06	NAC5000	NAC5500	NAC6000	
Combination	Air filter	NAF1000	NAF2000	NAF3000	NAF3000	NAF4000	NAF4000-06	NAF5000	NAF6000	NAF6000	
	Regulator	NAR1000	NAR2000	NAR2500	NAR3000	NAR4000	NAR4000-06	NAR5000	NAR5000	NAR6000	
	Lubricator	NAL1000	NAL2000	NAL3000	NAL3000	NAL4000	NAL4000-06	NAL5000	NAL6000	NAL6000	
Port Size - NPT		10-32Nom.(M5)	1/8 • 1/4	1/4 • 3/8	1/4 • 3/8	1/4•3/8•1/2	3/4	3/4 • 1	1	1	
Port size for pressure gauge		1/16Rc(PT)	1/8 NPT	1/8 NPT	1/8 NPT	1/4 NPT	1/4 NPT	1/4 NPT	1/4 NPT	1/4 NPT	
Proof pressure psig (MPa)		220 (1.5)									
Max. operating press. psig (MPa)		150 (1.0)									
Regulating range psig (MPa)		7~100 (0.05~0.7)			7~120 (.05 ~ 0.85)						
Max. Flow Rate scfm*		3 (M5)	18 (1/4)	53.5 (3/8)	71 (3/8)	142 (1/2)	160 (3/4)	178 (3/4)	210 (1)	210 (1)	
Ambient and media temperature		23° ~140° F (-5 ~60° C)									
Filtration		5µm									
Recommended oil		Turbine oil ISO VG32									
Bowl material		Polycarbonate									
Construction/Regulator		Relieving style									
Weight lbs.		0.57	1.63	2.35	2.60	4.72	5.45	8.40	8.90	9.60	
Accessories (standard)	Bowl guard	-	•	•	•	•	•	•	•	•	
	Bracket	B110L	B210L	B310L	B310L	B410L	B510L	B610L	B610L	B610L	

\* Conditions: Supply pressure - (100psig), Setting pressure - (70psig)

## Accessories

Model	Part No.									
	NAC1000	NAC2000	NAC2500	NAC3000	NAC4000	NAC4000-N06	NAC5000	NAC5500	NAC6000	
Combination	Check valve***	—	NAKM2000-□01 □02	NAKM3000-□01 □02	NAKM3000-□01 □02	NAKM4000-□02 □03	—	—	—	—
	Pressure switch	—	NIS1000M-2Y	NIS1000M-3Y	NIS1000M-3Y	NIS1000M-4Y	NIS1000M-5Y	NIS1000M-6Y	NIS1000M-6Y	NIS1000M-6Y
	T-Type spacer***	Y11-M5	Y21-□01 □02	Y31-□01 □02	Y31-□01 □02	Y41-□02 □03	Y51-□02 □03	Y61-□03 □04	Y61-□03 □04	Y61-□03 □04
	Shut-off valve	—	NVHS2000-□01 □02	NVHS3000-□02 □03	NVHS3000-□02 □03	NVHS4000-□02 □03 □04	—	—	—	—
	Lock-out valve	—	NVHS2500-□01 □02	NVHS3500-□02 □03	NVHS3500-□02 □03	NVHS4500-□02 □03 □04	—	NVHS5500-□06 □10	NVHS5500-□06 □10	NVHS5500-□06 □10
Accessories	T-Type bracket	B110T	B210T	B310T	B310T	B410T	B510T	B610T	B610T	B610T
	Spacer	Y10	Y20	Y30	Y30	Y40	Y50	Y60	Y60	Y60
Accessories	Piping adaptor**	E10-M5	E20-□01 □02 □03	E30-□02 □03 □04	E30-□02 □03 □04	E40-□02 □03 □04 □06	E50-□06	□06 □10	□06 □10	□06 □10
	Pressure gauge	G27-P10-R1	K40MP1.0-N01M	K40MP1.0-N01M	K40MP1.0-N01M	K50-MP1.0-N02M	K50-MP1.0-N02M	K50MP1.0-N02M	K50MP1.0-N02M	K50MP1.0-N02M
	Float type auto drain*	N.O.— N.C.—	—	NAD43 NAD53	NAD43 NAD53	NAD44 NAD54	NAD44 NAD54	NAD44 NAD54	NAD44 NAD54	NAD44 NAD54
	Differential pressure auto drain	NAD61	NAD62-C	—	—	—	—	—	—	—

\*Min. operating pressure: N.O.—(15psig), N.C.—(22psig)

\*\*Port size: M5=M5 X 0.8, □01=1/8, □02=1/4, □03=3/8, □04=1/2, □06=3/4, □10=1

\*\*\*Standard port size without ( ).



**Country code**

- - Asia, Australia, Japan
- N - North America
- E - Europe

**Air Combination**

**Body size**

10 — M5	30 — 3/8	55 — 1
20 — 1/8	40 — 1/2	60 — 1
25 — 1/4	50 — 3/4	

**Components**

Code	Air Filter (NAF)	Regulator (NAR)	Lubricator (NAL)	Filter Regulator (NAW)	Mist Separator (NAFM)
00	①	②	③	—	—
10	—	—	②	①	—
20	①	②	—	—	—
30	①	③	—	—	②
40	—	—	—	①	②

Note: Order of assembly

Example

- 00—NAF+NAR+NAL
- 10—NAW+NAL (Only NAC1000-NAC4000)
- 20—NAF+NAR
- 30—NAF+NAFM+NAR (Only NAC2000-NAC4000)
- 40—NAW+NAFM (Only NAC2000-NAC4000)

**Port thread**

- Nil — Rc(PT)
- F — G(PF)
- N — NPT

**Port size**

M5 — 10-32 Nom. (M5)	04 — 1/2
01 — 1/8	06 — 3/4
02 — 1/4	10 — 1
03 — 3/8	

**Accessory**

Code	Description	Applicable model
C	Auto drain	Float type(N.C.):NAC2500-NAC6000
D	Auto drain	Differential pressure:NAC1000,NAC2000 Float type: (N.O.): NAC2500-NAC6000
G	Pressure gauge	NAC1000-6000

**Optional specifications**

- Nil — None
- 1 — 0.02-0.2MPa (3-30 Psig)Setting (Regulator)\*
- 2 — Metal bowl (Filter•Lubricator)
- 3 — Lubricator with drain cock
- 4 — 0.02-0.4MPa (3-60 Psig) Setting (Regulator)
- 6 — Nylon bowl (Filter•Lubricator)
- 8 — Metal bowl with level gauge (Filter•Lubricator) (NAC3000-NAC6000)
- C — With bowl guard (Only NAC2000)
- J — Drain guide 1/4 pipe thread (NAC2500-NAC6000)
- N — Non-relieving
- R — IN-OUT reversal (Right → Left)
- W — Drain cock w/barb fitting for nylon tube (ø6mm OD/ø4mm ID)
- X — "L" Brackets instead of "T" or "T" instead of "L"

Note: When specifying more than one option, please list numerically then, alphabetically. **Example:** 2NR

\*Not a maximum setting. Option 1 is more precise in the range of 3-30 psig. Option 4 is more precise in the range of 3-60 psig.

**Attachment**

Code	Description	Location	Applicable model	Air entry port size
Nil	—	—	—	—
K	Check valve	NAF+NAR+ (K) +NAL NAW+ (K) +NAL	NAC2000-NAC4000 NAC2010-NAC4010	NAC2000:1/8 NAC2500:1/4 NAC3000:1/4 NAC4000:3/8
S	Pressure Switch	NAF+NAR+ (S) +NAL NAF+ (S) +NAR NAF+NAFM+ (S) +NAR	NAC2000-NAC6000 NAC2020-NAC6020 NAC2030-NAC4030	—
T	T-Type Spacer	NAF+ (T) +NAR+NAL NAF+ (T) +NAR NAF+NAFM+ (T) +NAR	NAC1000-NAC6000 NAC1020-NAC6020 NAC2030-NAC4030	NAC1000:10-32 Nom NAC2000:1/8 NAC2500:1/4 NAC3000:1/4 NAC4000:3/8 NAC5000:3/8 NAC6000:1/2
V	3-Port relieving shut-off valve	NAF+NAR+NAL+ (V) NAW+NAL+ (V) NAF+NAR+ (V) NAF+NAFM+NAR+ (V) NAW+NAFM+ (V)	NAC2000-NAC4000 NAC2010-NAC4010 NAC2020-NAC4020 NAC2030-NAC4030 NAC2040-NAC4040	—
LV	Locking 3-Port relieving shut-off valve	(LV) +NAF+NAR+NAL (LV) +NAW+NAL (LV) +NAF+NAR (LV) +NAF+NAFM+NAR (LV) +NAW+NAFM	NAC2000-NAC6000 NAC2010-NAC4010 NAC2020-NAC6020 NAC2030-NAC4030 NAC2040-NAC4040	—

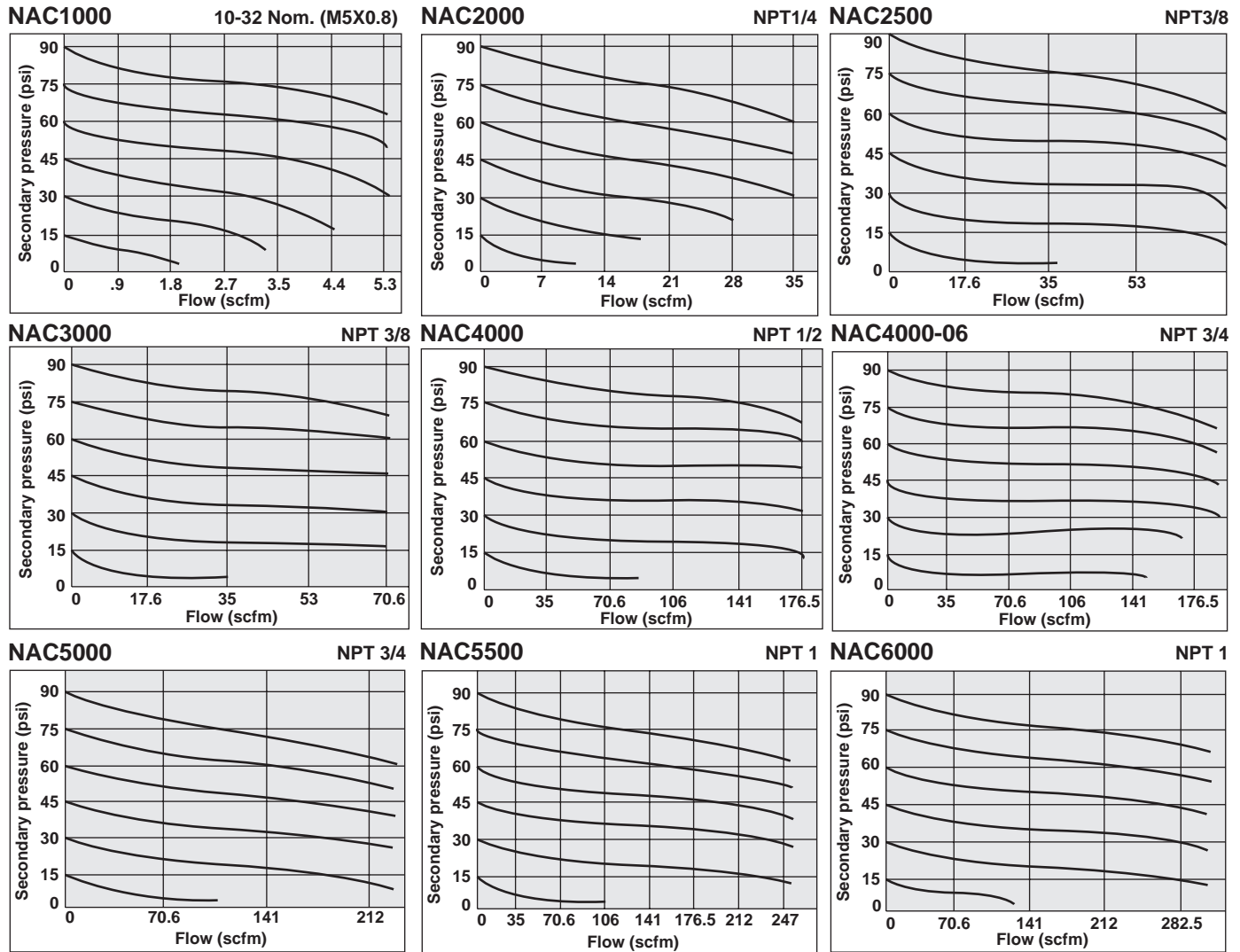
Note (1) Specify alphabetically when having two codes or more.

Filter+Regulator+Lubricator

NAC1000, 2000, 2500, 3000, 4000, 5000, 5500, 6000

## Flow Characteristics

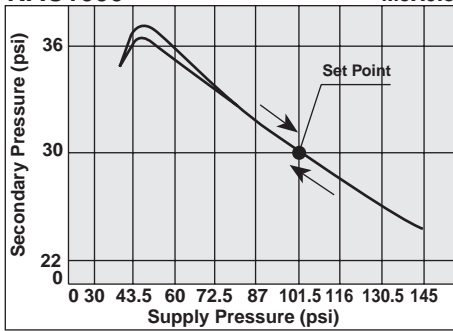
Supply Pressure - 100 psi (0.7 MPa)



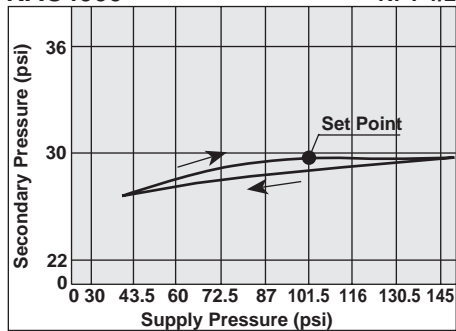
**Pressure Characteristics**

Supply Pressure - 100 psi (0.7 MPa) • Secondary Pressure - 30 psi (0.2 MPa) • Flow - 0.7SCFM (20/min)

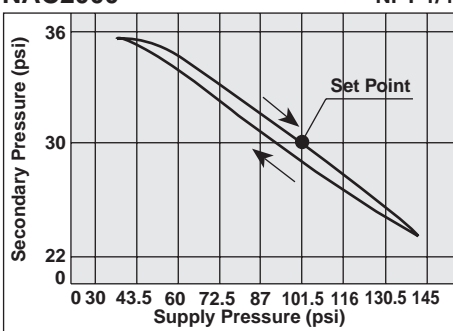
**NAC1000** M5X0.8



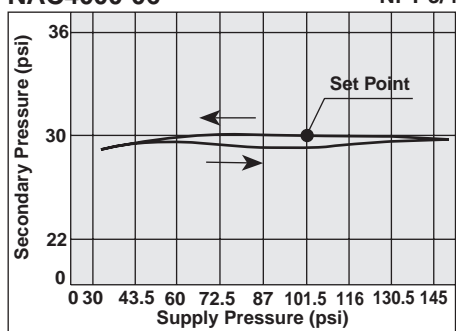
**NAC4000** NPT 1/2



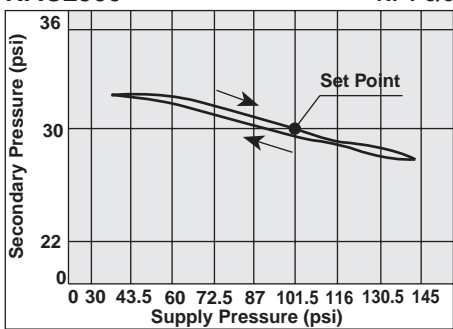
**NAC2000** NPT 1/4



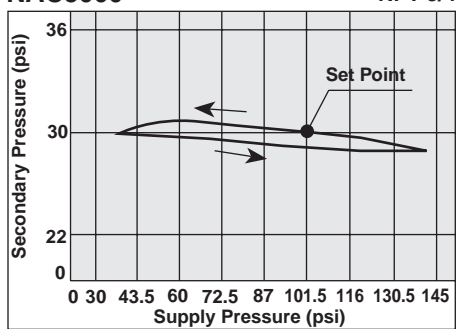
**NAC4000-06** NPT 3/4



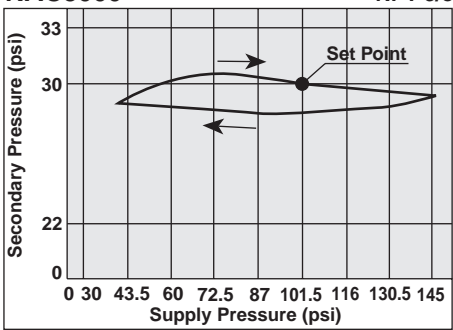
**NAC2500** NPT 3/8



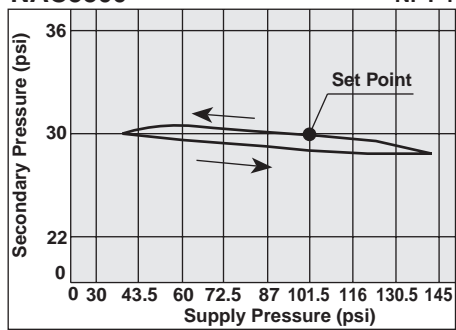
**NAC5000** NPT 3/4



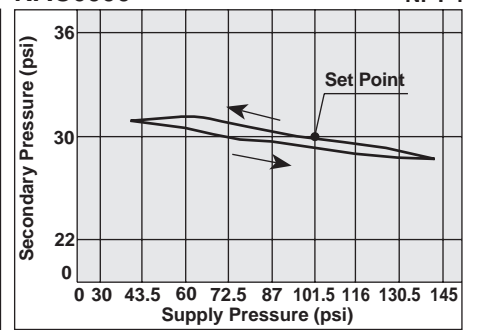
**NAC3000** NPT 3/8



**NAC5500** NPT 1



**NAC6000** NPT 1



**Precautions**

Read carefully before handling. Refer to the safety instructions and precautions section for the products mentioned in this catalog.

**Selection**

- ❶ For NAC3030, 4030, NAC3040, 4040 with float type auto drain (N.O.), use 2.2kW {200 /min. (ANR)} or larger compressor. Because two auto drains are used and 200 /min air is needed, it might cause a malfunction with a compressor weaker than the required ability.

**Installation**

- ❶ Flush piping before installation.
- ❷ Use of piping adapters will ease installation.
- ❸ The regulator may be installed with the adjustment knob up or down. If using the pressure switch (IS1000M) and/or the T-type spacer, the regulator knob must face down.
- ❹ The NAKM check valve is designed to be used between the regulator and the lubricator when it is necessary to prevent the possibility of lubricant flowing back into a non-lubricated secondary supply line.
- ❺ When mounting residual pressure release 3-port valve upstream of a lubricator, use check valve (series NAKM) to prevent reverse flow of oil.
- ❻ Pressure switch and T-type interface cannot be mounted to OUT side of residual pressure release 3-port valve.

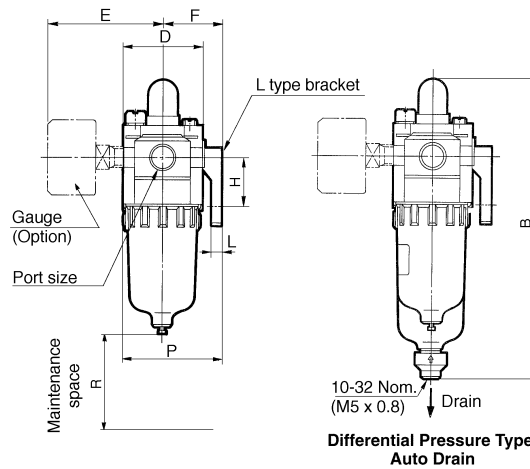
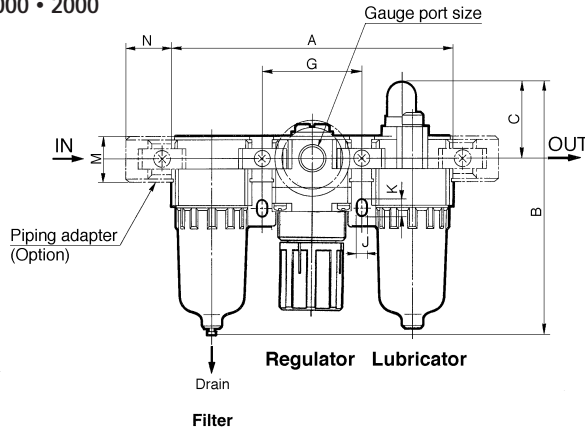
**Piping**

Warning: When mounting check valve, make sure of the position of the ▷ mark which indicates air flow direction.

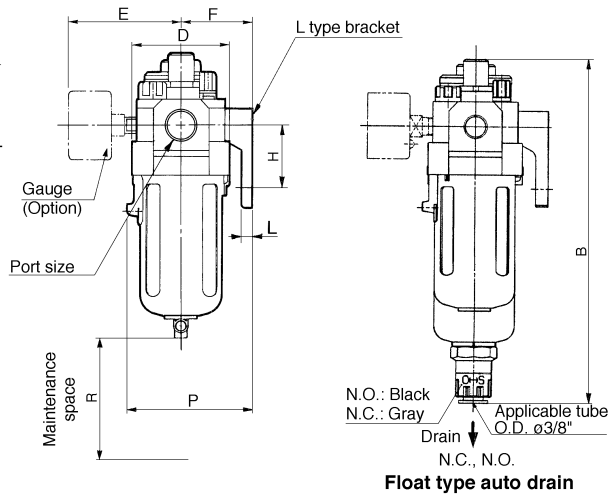
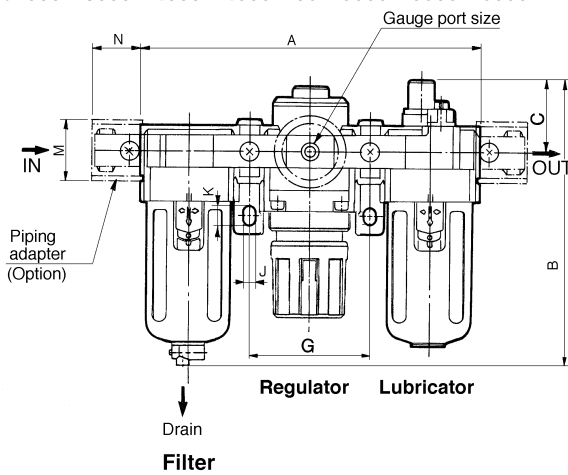
## Dimensions

NAC1000, 2000, 2500, 3000, 4000, 5000, 5500, 6000

### NAC1000 • 2000



### NAC2500 • 3000 • 4000 • 4000-N06 • 5000 • 5500 • 6000



Type	Port size	A	B	C	D	Bracket mounting size						M	N	P	R	With auto drain		
						E	F	G	H	J	K					L	Float type	Differential pressure
																	B	B
NAC1000	M5 X 0.8	3.58 (91)	3.33 (84.5)	1.00 (25.5)	.98 (25)	1.02 (26)	.98 (25)	1.30 (33)	.79 (20)	.18 (4.5)	.30 (7.5)	.20 (5)	.69 (17.5)	.63 (16)	1.52 (38.5)	1.97 (50)	—	4.13 (105)
NAC2000	1/8, 1/4	5.51 (140)	4.90 (124.5)	1.50 (38)	1.57 (40)	2.28 (58)	1.18 (30)	1.97 (50)	.94 (24)	.22 (5.5)	.33 (8.5)	.20 (5)	.87 (22)	.91 (23)	1.97 (50)	3.15 (80)	—	5.81 (147.5)
NAC2500	1/4, 3/8	7.13 (181)	6.02 (153)	1.50 (38)	2.09 (53)	2.44 (62)	1.61 (41)	2.52 (64)	1.38 (35)	.28 (7)	.43 (11)	.28 (7)	1.35 (34.2)	1.02 (26)*	2.78 (70.5)	3.15 (80)	7.64 (194)	—
NAC3000	1/4, 3/8	7.13 (181)	6.02 (153)	1.50 (38)	2.09 (53)	2.44 (62)	1.61 (41)	2.52 (64)	1.38 (35)	.28 (7)	.43 (11)	.28 (7)	1.35 (34.2)	1.02 (26)*	2.78 (70.5)	3.15 (80)	7.64 (194)	—
NAC4000	1/4, 3/8, 1/2	9.37 (238)	7.40 (188)	1.61 (41)	2.76 (70)	2.76 (70)	1.97 (50)	3.31 (84)	1.57 (40)	.35 (9)	.51 (13)	.28 (7)	1.66 (42.2)	1.30 (33)*	3.46 (88)	4.13 (105)	9.02 (229)	—
NAC4000-06	3/4	9.96 (253)	7.46 (189.5)	1.59 (40.5)	2.76 (70)	2.91 (74)	1.97 (50)	3.50 (89)	1.57 (40)	.35 (9)	.51 (13)	.28 (7)	1.82 (46.2)	1.42 (36)	3.46 (88)	4.13 (105)	9.07 (230.5)	—
NAC5000	3/4, 1	11.81 (300)	10.55 (268)	1.89 (48)	3.54 (90)	3.15 (80)	2.76 (70)	4.13 (105)	1.97 (50)	.47 (12)	.63 (16)	.39 (10)	2.17 (55.2)	1.57 (40)	4.25 (108)	4.13 (105)	12.19 (309.5)	—
NAC5500	1	12.20 (310)	11.10 (282)	1.89 (48)	3.74 (95)	3.15 (80)	2.76 (70)	4.13 (105)	1.97 (50)	.47 (12)	.63 (16)	.39 (10)	2.17 (55.2)	1.57 (40)	4.25 (108)	4.13 (105)	12.74 (323.5)	—
NAC6000	1	12.40 (315)	11.10 (282)	1.89 (48)	3.74 (95)	3.25 (82.5)	2.76 (70)	4.33 (110)	1.97 (50)	.47 (12)	.63 (16)	.39 (10)	2.17 (55.2)	1.57 (40)	4.25 (108)	4.13 (105)	12.74 (323.5)	—

### Option\*\*

Type	Barb Fitting B	With drain guide B	Metal bowl B	Metal bowl with level gauge
NAC1000	—	—	3.33 (84.5)	—
NAC2000	—	—	4.92 (125)	—
NAC2500	6.36 (161.5)	6.26 (159)	6.54 (166)	7.32 (186)
NAC3000	6.36 (161.5)	6.26 (159)	6.54 (166)	7.32 (186)
NAC4000	7.74 (196.5)	7.67 (194)	7.91 (201)	8.70 (221)
NAC4000-06	7.8 (198)	7.7 (195.5)	7.97 (202.5)	8.76 (222.5)
NAC5000	10.89 (276.5)	10.79 (274)	11.06 (281)	11.85 (301)
NAC5500	11.44 (290.5)	11.34 (288)	11.61 (295)	12.4 (315)
NAC6000	11.44 (290.5)	11.34 (288)	11.61 (295)	12.4 (315)

\* For piping adapter NAC2500/3500, port size 1/2: 1.57 (40)  
For NAC4000, port size 3/4: 1.97 (50)

\*\* For option (with barb fitting, with drain guide, metal bowl, with level gauge), body length (B dimension) is different.



NAC1000 ——— SAC1000, #1 + #2 + #3 + #13  
 NAC2000 ——— SAC2000, #1 + #2 + #3 + #13  
 NAC2500, 3000 ——— SAC2503, #1 + #2 + #3 + #13  
 NAC4000 ——— SAC4000, #1 + #2 + #3 + #13  
 NAC4000-06 ——— SAC4006, #1 + #2 + #3 + #13  
 NAC5000 ——— SAC5000, #1 + #2 + #3 + #13  
 NAC6000 ——— SAC6000, #1 + #2 + #3 + #13