






Standard Combinations

Modular Air Combination Units

Standard combinations only — other combinations of Modular units are possible.

Model/Series	Port size	Filter NAF	Regulator NAR	Lubricator NAL	Filter Regulator	Mist Separator
NAF+NAR+NAL 	NAC1000	10-32 Nom. (M5)	NAF1000	NAR1000	NAL1000	
	NAC2000	1/8 • 1/4	NAF2000	NAR2000	NAL2000	
	NAC2500	1/4 • 3/8	NAF3000	NAR2500	NAL3000	
	NAC3000	1/4 • 3/8	NAF3000	NAR3000	NAL3000	
	NAC4000	1/4 • 3/8 • 1/2	NAF4000	NAR4000	NAL4000	
	NAC4000-N06	3/4	NAF4000-N06	NAR4000-N06	NAL4000-N06	
	NAC5000	3/4 • 1	NAF5000	NAR5000	NAL5000	
	NAC5500	1	NAF6000	NAR5000	NAL6000	
	NAC6000	1	NAF6000	NAR6000	NAL6000	
NAW-NAL 	NAC1010	10-32 Nom. (M5)			NAL1000	NAW1000
	NAC2010	1/8 • 1/4			NAL2000	NAW2000
	NAC3010	1/4 • 3/8			NAL3000	NAW3000
	NAC4010	1/4 • 3/8 • 1/2			NAL4000	NAW4000
	NAC4000-N06	3/4			NAL4000-N06	NAW4000-N06
NAF+NAR 	NAC1020	10-32 Nom. (M5)	NAF1000	NAR1000		
	NAC2020	1/8 • 1/4	NAF2000	NAR2000		
	NAC2520	1/4 • 3/8	NAF3000	NAR2500		
	NAC3020	1/4 • 3/8	NAF3000	NAR3000		
	NAC4020	1/4 • 3/8 • 1/2	NAF4000	NAR4000		
	NAC4020-N06	3/4	NAF4000-N06	NAR4000-N06		
	NAC5020	3/4 • 1	NAF5000	NAR5000		
	NAC5520	1	NAF6000	NAR5000		
	NAC6020	1	NAF6000	NAR6000		
NAF-+NAFM+NAR 	NAC2030	10-32 Nom. (M5)	NAF2000	NAR2000		NAFM2000
	NAC2530	1/8 • 1/4	NAF3000	NAR2500		NAFM3000
	NAC3030	1/4 • 3/8	NAF3000	NAR3000		NAFM3000
	NAC4030	1/4 • 3/8 • 1/2	NAF4000	NAR4000		NAFM4000
	NAC4030-N06	3/4	NAF4000-N06	NAR4000-N06		NAFM4000-N06
NAW+NAFM 	NAC2040	1/8 • 1/4			NAW2000	NAFM2000
	NAC3040	1/4 • 3/8			NAW3000	NAFM3000
	NAC4040	1/4 • 3/8 • 1/2			NAW4000	NAFM4000
	NAC4040-N06	3/4			NAW4000-N06	NAFM4000-N06



Country code

- - Asia, Australia, Japan
- N - North America
- E - Europe

Air Combination

Body size

10 — M5	30 — 3/8	55 — 1
20 — 1/8	40 — 1/2	60 — 1
25 — 1/4	50 — 3/4	

Components

Code	Air Filter (NAF)	Regulator (NAR)	Lubricator (NAL)	Filter Regulator (NAW)	Mist Separator (NAFM)
00	①	②	③	—	—
10	—	—	②	①	—
20	①	②	—	—	—
30	①	③	—	—	②
40	—	—	—	①	②

Note: Order of assembly

Example

- 00—NAF+NAR+NAL
- 10—NAW+NAL (Only NAC1000-NAC4000)
- 20—NAF+NAR
- 30—NAF+NAFM+NAR (Only NAC2000-NAC4000)
- 40—NAW+NAFM (Only NAC2000-NAC4000)

Port thread

- Nil — Rc(PT)
- F — G(PF)
- N — NPT

Port size

M5 — 10-32 Nom. (M5)	04 — 1/2
01 — 1/8	06 — 3/4
02 — 1/4	10 — 1
03 — 3/8	

Accessory

Code	Description	Applicable model
C	Auto drain	Float type(N.C.):NAC2500-NAC6000
D	Auto drain	Differential pressure:NAC1000,NAC2000 Float type: (N.O.): NAC2500-NAC6000
G	Pressure gauge	NAC1000-6000

Optional specifications

- Nil — None
- 1 — 0.02-0.2MPa (3-30 Psig)Setting (Regulator)*
- 2 — Metal bowl (Filter•Lubricator)
- 3 — Lubricator with drain cock
- 4 — 0.02-0.4MPa (3-60 Psig) Setting (Regulator)
- 6 — Nylon bowl (Filter•Lubricator)
- 8 — Metal bowl with level gauge (Filter•Lubricator) (NAC3000-NAC6000)
- C — With bowl guard (Only NAC2000)
- J — Drain guide 1/4 pipe thread (NAC2500-NAC6000)
- N — Non-relieving
- R — IN-OUT reversal (Right → Left)
- W — Drain cock w/barb fitting for nylon tube (ø6mm OD/ø4mm ID)
- X — "L" Brackets instead of "T" or "T" instead of "L"

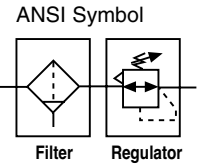
Note: When specifying more than one option, please list numerically then, alphabetically. **Example:** 2NR

*Not a maximum setting. Option 1 is more precise in the range of 3-30 psig. Option 4 is more precise in the range of 3-60 psig.

Attachment

Code	Description	Location	Applicable model	Air entry port size
Nil	—	—	—	—
K	Check valve	NAF+NAR+ (K) +NAL NAW+ (K) +NAL	NAC2000-NAC4000 NAC2010-NAC4010	NAC2000:1/8 NAC2500:1/4 NAC3000:1/4 NAC4000:3/8
S	Pressure Switch	NAF+NAR+ (S) +NAL NAF+ (S) +NAR NAF+NAFM+ (S) +NAR	NAC2000-NAC6000 NAC2020-NAC6020 NAC2030-NAC4030	—
T	T-Type Spacer	NAF+ (T) +NAR+NAL NAF+ (T) +NAR NAF+NAFM+ (T) +NAR	NAC1000-NAC6000 NAC1020-NAC6020 NAC2030-NAC4030	NAC1000:10-32 Nom NAC2000:1/8 NAC2500:1/4 NAC3000:1/4 NAC4000:3/8 NAC5000:3/8 NAC6000:1/2
V	3-Port relieving shut-off valve	NAF+NAR+NAL+ (V) NAW+NAL+ (V) NAF+NAR+ (V) NAF+NAFM+NAR+ (V) NAW+NAFM+ (V)	NAC2000-NAC4000 NAC2010-NAC4010 NAC2020-NAC4020 NAC2030-NAC4030 NAC2040-NAC4040	—
LV	Locking 3-Port relieving shut-off valve	(LV) +NAF+NAR+NAL (LV) +NAW+NAL (LV) +NAF+NAR (LV) +NAF+NAFM+NAR (LV) +NAW+NAFM	NAC2000-NAC6000 NAC2010-NAC4010 NAC2020-NAC6020 NAC2030-NAC4030 NAC2040-NAC4040	—

Note (1) Specify alphabetically when having two codes or more.



Specifications (for "How to Order" see page 13)

Model		NAC1020	NAC2020	NAC2520	NAC3020	NAC4020	NAC4020-06	NAC5020	NAC5520	NAC6020
Combination	Air filter	NAF1000	NAF2000	NAF3000	NAF3000	NAF4000	NAF4000-06	NAF5000	NAF6000	NAF6000
	Regulator	NAR1000	NAR2000	NAR2500	NAR3000	NAR4000	NAR4000-06	NAR5000	NAR5000	NAR6000
Port size NPT		M5X0.8	1/8 • 1/4	1/4 • 3/8	1/4 • 3/8	1/4 • 3/8 • 1/2	3/4	3/4 • 1	1	1
Port size for pressure gauge		1/16 Rc(PT)	1/8 NPT	1/8 NPT	1/8 NPT	1/4 NPT	1/4 NPT	1/4 NPT	1/4 NPT	1/4 NPT
Proof pressure psig (MPa)		220 (1.5)								
Max. op. pres. psig (MPa)		150 (1.0)								
Regulating range psig (MPa)		7~100 (0.05 ~ 0.7)	7~120 (0.05 ~ 0.85)							
Max. flow rate scfm*		3.5 (M5)	19.5 (1/4)	53 (3/8)	71 (3/8)	141 (1/2)	176.5 (3/4)	212 (3/4)	247 (1)	282.5 (1)
Ambient and media temp.		23° ~140° F (-5 ~ 60° C)								
Filtration		5µm								
Bowl Material		Polycarbonate								
Construction/Regulator		Relieving style								
Weight lbs.		0.46	1.19	1.50	1.81	3.55	3.77	5.50	5.80	6.37
Accessories (standard)	Bowl guard	—	●	●	●	●	●	●	●	●
	T-type bracket	B110T	B210T	B310T	B310T	B410T	B510T	B610T	B610T	B610T

* Conditions: Supply pressure - (100psig), Setting pressure - (70psig).

Attachments/Accessories (Optional)

Type	Part No.										
	NAC1020	NAC2020	NAC2520	NAC3020	NAC4020	NAC4020-N06	NAC5020	NAC5520	NAC6020		
Attachments	Pressure switch	—	NIS1000M-2	NIS1000M-3	NIS1000M-3	NIS1000M-4	NIS1000M-5	NIS1000M-6	NIS1000M-6	NIS1000M-6	
	T-Type spacer***	Y11-M5	Y21 □01 (□02)	Y31 (□01) □02	Y31 (□01) □02	Y41 (□02) □02	Y51 (□02) □03	Y61 □03 (□04)	Y61 (□03) □04	Y61 (□03) □04	
	Shut-off valve	—	NVHS2000-□01 □02	NVHS3000-□02 □03	NVHS3000-□02 □03	NVHS4000-□03 □04	—	—	—	—	
	Lock-out valve	—	NVHS2500-□01 □02	NVHS3500-□02 □03	NVHS3500-□02 □03	NVHS4500-□03 □04	—	□06 □10	□06 □10	□06 □10	
Accessories	Spacer	Y10	Y20	Y30	Y30	Y40	Y50	Y60	Y60	Y60	
	Piping adaptor**	E10-M5	E20-□01 □02 □03	E30-□02 □03 □04	E30-□02 □03 □04	E40-□03 □04 □06	E50-□06	E60-□06 □10	E60-□06 □10	E60-□06 □10	
	Pressure gauge	G27-P10-R1	K40A-MP1.0-NO1M	K40A-MP1.0-NO1M	K40A-MP1.0-NO1M	K50A-MP1.0-NO2M	K50A-MP1.0-NO2M	K50A-MP1.0-NO2M	K50A-MP1.0-NO2M	K50A-MP1.0-NO2M	
	Float auto drain*	N.O.	—	—	NAD43	NAD43	NAD44	NAD44	NAD44	NAD44	NAD44
		N.C.	—	—	NAD53	NAD53	NAD54	NAD54	NAD54	NAD54	NAD54
Differential pressure auto drain	NAD61	NAD62-C	—	—	—	—	—	—	—	—	

* Min. operating pressure: N.O. - (15psig), N.C. - (22psig).

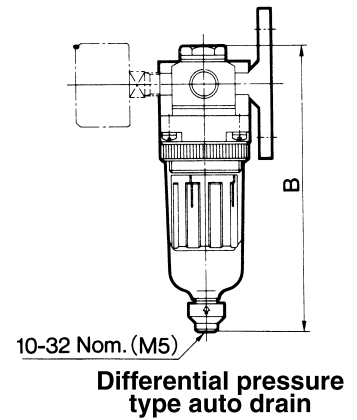
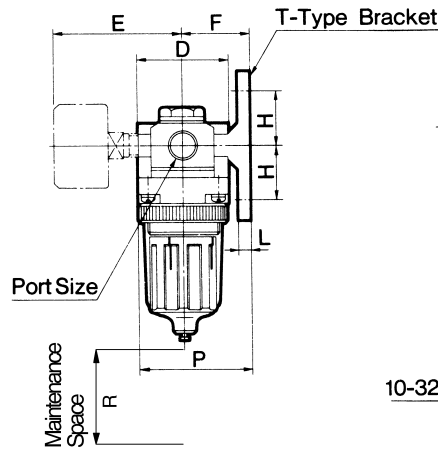
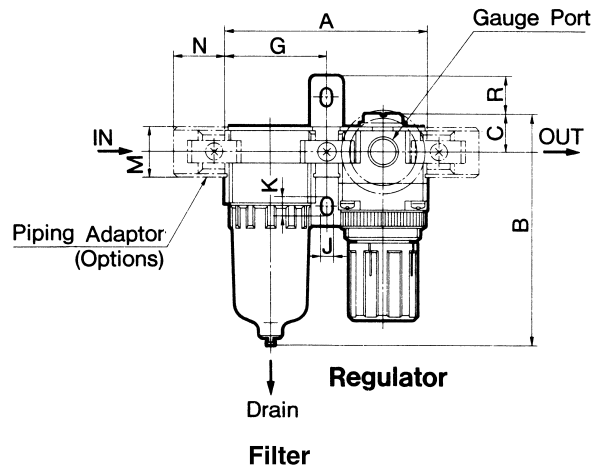
Port size: M5 = M5 x 0.8, □01 = 1/8, □02 = 1/4, □03 = 3/8, □04 = 1/2, □06 = 3/4, □10 = 1

***Standard port size without ()

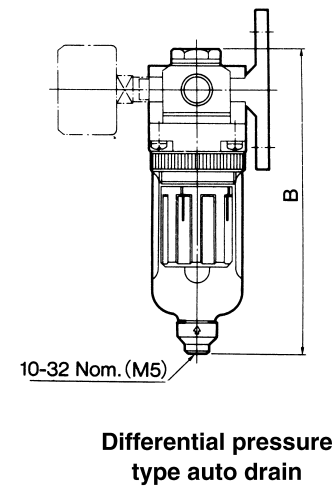
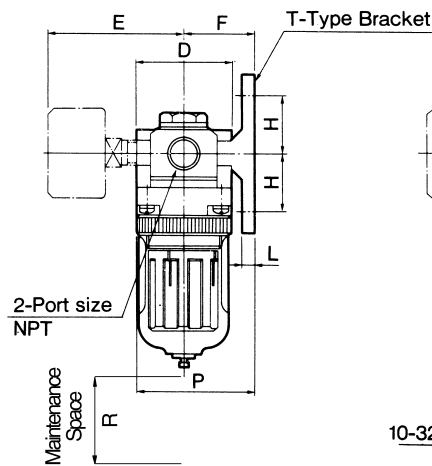
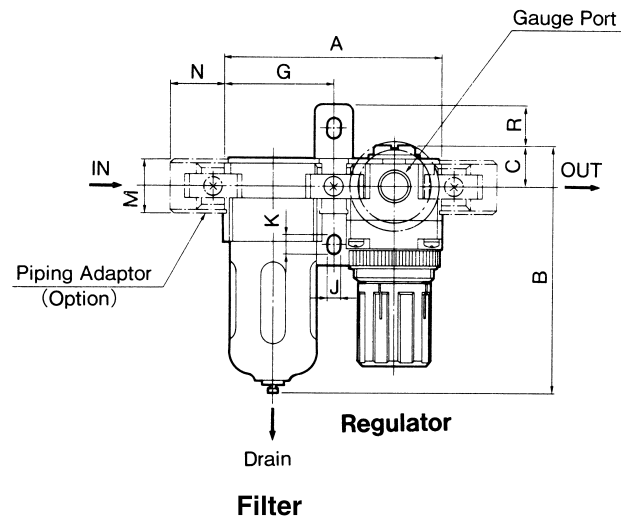
Filter+Regulator

NAC1020, 2020, 2520, 3020, 4020, 5020, 5520, 6020

NAC1020



NAC2020

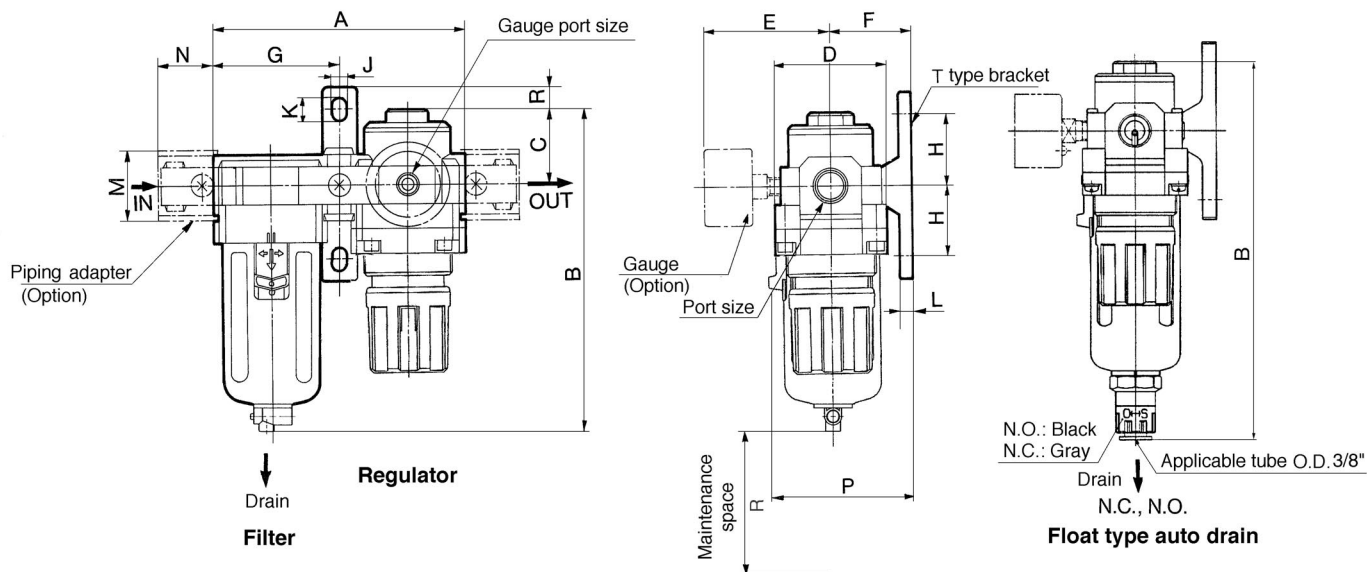


Model	Port size	A	B	C	D	E	F	G	H	J	K	L	M	N	P	R	With auto drain	
																	Float B	Differential pressure B
NAC1020	10-32 Nom (M5)	2.28 (58)	2.76 (70)	0.43 (11)	0.98 (25)	1.02 (26)	0.98 (25)	1.14 (29)	0.79 (20)	0.18 (4.5)	0.30 (7.5)	0.20 (5)	0.69 (17.5)	0.63 (16)	1.52 (38.5)	0.63 (16)	—	3.56 (90.5)
NAC2020	1/8 • 1/4	3.54 (90)	4.07 (103.5)	0.67 (17)	1.57 (40)	2.28 (58)	1.18 (30)	1.77 (45)	0.94 (24)	0.22 (5.5)	0.33 (8.5)	0.20 (5)	0.87 (22)	0.91 (23)	1.97 (50)	0.63 (16)	—	4.98 (126.5)

Semi-standard type

Model	Metal Bowl	Metal bowl with level gauge
	B	B
NAC1020	2.76 (70)	—
NAC2020	4.07 (103.5)	—

NAC2520 • 3020 • 4020 • 5020 • 5520 • 6020



Model	Port size NPT	A	B	C	D	E	F	G	H	J	K	L	M	N	P	R	Auto drain	
																	Float	Differential pressure
NAC2520	1/4 • 3/8	4.61 (117)	5.51 (140)	0.98 (25)	2.09 (53)	2.44 (62)	1.61 (41)	2.30 (58.5)	1.38 (35)	0.28 (7)	0.43 (11)	0.28 (7)	1.35 (34.2)	1.02 *(26)	2.78 (70.5)	0.79 (20)	7.13 (181)	—
NAC3020	1/4 • 3/8	4.61 (117)	5.91 (150)	1.38 (35)	2.09 (53)	2.44 (62)	1.61 (41)	2.30 (58.5)	1.38 (35)	0.28 (7)	0.43 (11)	0.28 (7)	1.35 (34.2)	1.02 *(26)	2.78 (70.5)	0.40 (10)	7.52 (191)	—
NAC4020	1/4 • 3/8 • 1/2	6.06 (154)	7.26 (184.5)	1.47 (37.5)	2.76 (70)	2.76 (70)	1.97 (50)	3.03 (77)	1.57 (40)	0.35 (9)	0.51 (13)	0.28 (7)	1.66 (42.2)	1.30 *(33)	3.46 (88)	0.49 (12.5)	8.88 (225.5)	—
NAC4020-N06	3/4	6.46 (164)	7.46 (189.5)	1.59 (40.5)	2.76 (70)	2.91 (74)	1.97 (50)	3.23 (82)	1.57 (40)	0.35 (9)	0.51 (13)	0.28 (7)	1.82 (46.2)	1.42 (36)	3.46 (88)	0.37 (9.5)	9.07 (230.5)	—
NAC5020	3/4 • 1	7.68 (195)	10.55 (268)	1.89 (48)	3.54 (90)	3.15 (80)	2.76 (70)	3.84 (97.5)	1.97 (50)	.47 (12)	.63 (16)	.39 (10)	2.17 (55.2)	1.57 (40)	4.53 (115)	.57 (14.5)	12.19 (309.5)	—
NAC5520	1	7.87 (200)	11.10 (282)	1.89 (48)	3.74 (95)	3.15 (80)	2.76 (70)	4.04 (102.5)	1.97 (50)	.47 (12)	.63 (16)	.39 (10)	2.17 (55.2)	1.57 (40)	4.63 (117.5)	.57 (14.5)	12.74 (323.5)	—
NAC6020	1	8.07 (205)	11.10 (282)	1.89 (48)	3.74 (95)	3.25 (82.5)	2.76 (70)	4.04 (102.5)	1.9 (50)	.47 (12)	.63 (16)	.39 (10)	2.17 (55.2)	1.57 (40)	4.63 (117.5)	.57 (14.5)	12.74 (323.5)	—

*Piping adapter with 1/2 port used on NAC 2520 • 3020 is 1.57 (40). Piping adapter with 3/4 port used on NAC 4020 is 1.97 (50).