






Standard Combinations

Modular Air Combination Units

Standard combinations only — other combinations of Modular units are possible.

Model/Series	Port size	Filter NAF	Regulator NAR	Lubricator NAL	Filter Regulator	Mist Separator
	NAC1000	10-32 Nom. (M5)	NAF1000	NAR1000	NAL1000	
	NAC2000	1/8 • 1/4	NAF2000	NAR2000	NAL2000	
	NAC2500	1/4 • 3/8	NAF3000	NAR2500	NAL3000	
	NAC3000	1/4 • 3/8	NAF3000	NAR3000	NAL3000	
	NAC4000	1/4 • 3/8 • 1/2	NAF4000	NAR4000	NAL4000	
	NAC4000-N06	3/4	NAF4000-N06	NAR4000-N06	NAL4000-N06	
	NAC5000	3/4 • 1	NAF5000	NAR5000	NAL5000	
	NAC5500	1	NAF6000	NAR5000	NAL6000	
	NAC6000	1	NAF6000	NAR6000	NAL6000	
	NAC1010	10-32 Nom. (M5)			NAL1000	NAW1000
	NAC2010	1/8 • 1/4			NAL2000	NAW2000
	NAC3010	1/4 • 3/8			NAL3000	NAW3000
	NAC4010	1/4 • 3/8 • 1/2			NAL4000	NAW4000
	NAC4000-N06	3/4			NAL4000-N06	NAW4000-N06
	NAC1020	10-32 Nom. (M5)	NAF1000	NAR1000		
	NAC2020	1/8 • 1/4	NAF2000	NAR2000		
	NAC2520	1/4 • 3/8	NAF3000	NAR2500		
	NAC3020	1/4 • 3/8	NAF3000	NAR3000		
	NAC4020	1/4 • 3/8 • 1/2	NAF4000	NAR4000		
	NAC4020-N06	3/4	NAF4000-N06	NAR4000-N06		
	NAC5020	3/4 • 1	NAF5000	NAR5000		
	NAC5520	1	NAF6000	NAR5000		
	NAC6020	1	NAF6000	NAR6000		
	NAC2030	10-32 Nom. (M5)	NAF2000	NAR2000		NAFM2000
	NAC2530	1/8 • 1/4	NAF3000	NAR2500		NAFM3000
	NAC3030	1/4 • 3/8	NAF3000	NAR3000		NAFM3000
	NAC4030	1/4 • 3/8 • 1/2	NAF4000	NAR4000		NAFM4000
	NAC4030-N06	3/4	NAF4000-N06	NAR4000-N06		NAFM4000-N06
	NAC2040	1/8 • 1/4			NAW2000	NAFM2000
	NAC3040	1/4 • 3/8			NAW3000	NAFM3000
	NAC4040	1/4 • 3/8 • 1/2			NAW4000	NAFM4000
	NAC4040-N06	3/4			NAW4000-N06	NAFM4000-N06



Country code

- - Asia, Australia, Japan
- N - North America
- E - Europe

Air Combination

Body size

10 — M5	30 — 3/8	55 — 1
20 — 1/8	40 — 1/2	60 — 1
25 — 1/4	50 — 3/4	

Components

Code	Air Filter (NAF)	Regulator (NAR)	Lubricator (NAL)	Filter Regulator (NAW)	Mist Separator (NAFM)
00	①	②	③	—	—
10	—	—	②	①	—
20	①	②	—	—	—
30	①	③	—	—	②
40	—	—	—	①	②

Note: Order of assembly

Example

- 00—NAF+NAR+NAL
- 10—NAW+NAL (Only NAC1000-NAC4000)
- 20—NAF+NAR
- 30—NAF+NAFM+NAR (Only NAC2000-NAC4000)
- 40—NAW+NAFM (Only NAC2000-NAC4000)

Port thread

- Nil — Rc(PT)
- F — G(PF)
- N — NPT

Port size

M5 — 10-32 Nom. (M5)	04 — 1/2
01 — 1/8	06 — 3/4
02 — 1/4	10 — 1
03 — 3/8	

Accessory

Code	Description	Applicable model
C	Auto drain	Float type(N.C.):NAC2500-NAC6000
D	Auto drain	Differential pressure:NAC1000,NAC2000 Float type: (N.O.): NAC2500-NAC6000
G	Pressure gauge	NAC1000-6000

Optional specifications

- Nil — None
- 1 — 0.02-0.2MPa (3-30 Psig) Setting (Regulator)*
- 2 — Metal bowl (Filter•Lubricator)
- 3 — Lubricator with drain cock
- 4 — 0.02-0.4MPa (3-60 Psig) Setting (Regulator)
- 6 — Nylon bowl (Filter•Lubricator)
- 8 — Metal bowl with level gauge (Filter•Lubricator) (NAC3000-NAC6000)
- C — With bowl guard (Only NAC2000)
- J — Drain guide 1/4 pipe thread (NAC2500-NAC6000)
- N — Non-relieving
- R — IN-OUT reversal (Right → Left)
- W — Drain cock w/barb fitting for nylon tube (ø6mm OD/ø4mm ID)
- X — "L" Brackets instead of "T" or "T" instead of "L"

Note: When specifying more than one option, please list numerically then, alphabetically. **Example:** 2NR

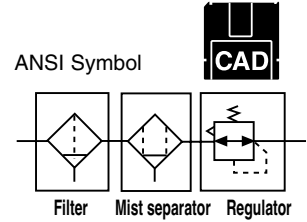
*Not a maximum setting. Option 1 is more precise in the range of 3-30 psig. Option 4 is more precise in the range of 3-60 psig.

Attachment

Code	Description	Location	Applicable model	Air entry port size
Nil	—	—	—	—
K	Check valve	NAF+NAR+ (K) +NAL NAW+ (K) +NAL	NAC2000-NAC4000 NAC2010-NAC4010	NAC2000:1/8 NAC2500:1/4 NAC3000:1/4 NAC4000:3/8
S	Pressure Switch	NAF+NAR+ (S) +NAL NAF+ (S) +NAR NAF+NAFM+ (S) +NAR	NAC2000-NAC6000 NAC2020-NAC6020 NAC2030-NAC4030	—
T	T-Type Spacer	NAF+ (T) +NAR+NAL NAF+ (T) +NAR NAF+NAFM+ (T) +NAR	NAC1000-NAC6000 NAC1020-NAC6020 NAC2030-NAC4030	NAC1000:10-32 Nom NAC2000:1/8 NAC2500:1/4 NAC3000:1/4 NAC4000:3/8 NAC5000:3/8 NAC6000:1/2
V	3-Port relieving shut-off valve	NAF+NAR+NAL+ (V) NAW+NAL+ (V) NAF+NAR+ (V) NAF+NAFM+NAR+ (V) NAW+NAFM+ (V)	NAC2000-NAC4000 NAC2010-NAC4010 NAC2020-NAC4020 NAC2030-NAC4030 NAC2040-NAC4040	—
LV	Locking 3-Port relieving shut-off valve	(LV) +NAF+NAR+NAL (LV) +NAW+NAL (LV) +NAF+NAR (LV) +NAF+NAFM+NAR (LV) +NAW+NAFM	NAC2000-NAC6000 NAC2010-NAC4010 NAC2020-NAC6020 NAC2030-NAC4030 NAC2040-NAC4040	—

Note (1) Specify alphabetically when having two codes or more.

Filter+Mist Separator+Regulator
NAC2030, 2530, 3030, 4030



Specifications (for "How to Order" see page 13)

Model		NAC2030	NAC2530	NAC3030	NAC4030	NAC4030-N06
Combination	Air Filter	NAF2000	NAF3000	NAF3000	NAF4000	NAF4000-N06
	Regulator	NAR2000	NAR2500	NAR3000	NAR4000	NAR4000-N06
	Mist separator	NAFM2000	NAFM3000	NAFM3000	NAFM4000	NAFM4000-N06
Port size NPT		1/8 • 1/4	1/4 • 3/8	1/4 • 3/8	1/4 • 3/8 • 1/2	3/4
Port size for pressure gauge		1/8 NPT	1/8 NPT	1/8 NPT	1/4 NPT	1/4 NPT
Proof pressure psig (MPa)		220 (1.5)				
Max. operating pressure psig (MPa)		150 (1.0)				
Regulating range psig (MPa)		7~120 (0.05 ~ 0.85)				
Max. Flow Rate scfm*		7	16	16	39	39
Ambient and media temperature		23° ~140° F (-5 ~ 60° C)				
Filtration		NAF: 5µm, NAFM: 0.3µm				
Oil mist removal rate		More than 99.9%				
Bowl material		Polycarbonate				
Construction/Regular		Relieving style				
Weight lbs.		1.57	2.27	2.58	4.87	5.42
Accessories (standard)	Bowl guard	●	●	●	●	●
	Bracket	B210L	B310L	B310L	B410L	B510L

* Conditions: Supply pressure - (100psig), Setting pressure - (70psig).

Attachments/Accessories (Optional)

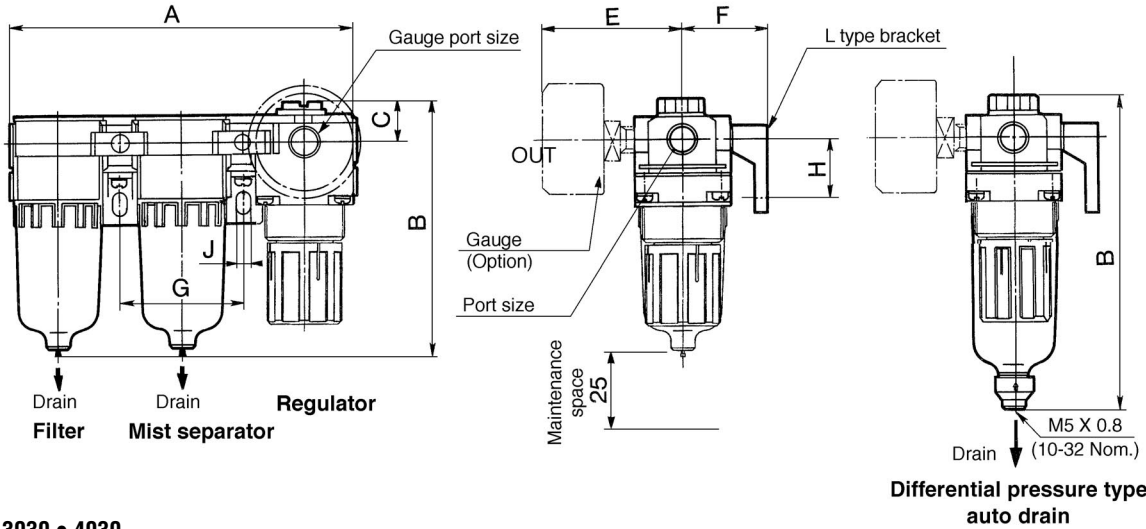
Type	Part No.						
	NAC2030	NAC2530	NAC3030	NAC4030	NAC4030-06		
Attachments	Pressure switch	NIS1000M-2Y	NIS1000M-3Y	NIS1000M-3Y	NIS1000M-4Y	NIS1000M-5Y	
	T-Type spacer	Y21- □01 □02	Y31- □01 □02	Y31- □01 □02	Y41- □02 □03	Y41- □02 □03	
	Shut-off valve	NVHS2000- □01 □02	NVHS3000- □02 □03	NVHS3000- □02 □03	NVHS4000- □02 □03 □04	—	
	Lock-out valve	NVHS2500- □01 □02	NVHS3500- □02 □03	NVHS3500- □02 □03	NVHS4500- □02 □03 □04	—	
Accessories	Type bracket	B210T	B310T	B310T	B410T	B510T	
	Spacer	Y20	Y30	Y30	Y40	Y50	
	Piping adaptor**	E20- □01 □02 □03	E30- □02 □03 □04	E30- □02 □03 □04	E40- □02 □03 □04 □06	E50-□06	
	Pressure gauge	K40A-MP1.0-N01M	K40A-MP1.0-N01M	K40A-MP1.0-N01M	K50A-MP1.0-N02M	K50A-MP1.0-N02M	
	Float type auto drain*	N.O.	—	NAD43	NAD43	NAD44	NAD44
		N.C.	—	NAD53	NAD53	NAD54	NAD54
Differential pressure auto drain	NAD62-C	—	—	—	—		

* Min. operating pressure: N.O. - (15psig), N.C. - (22psig)

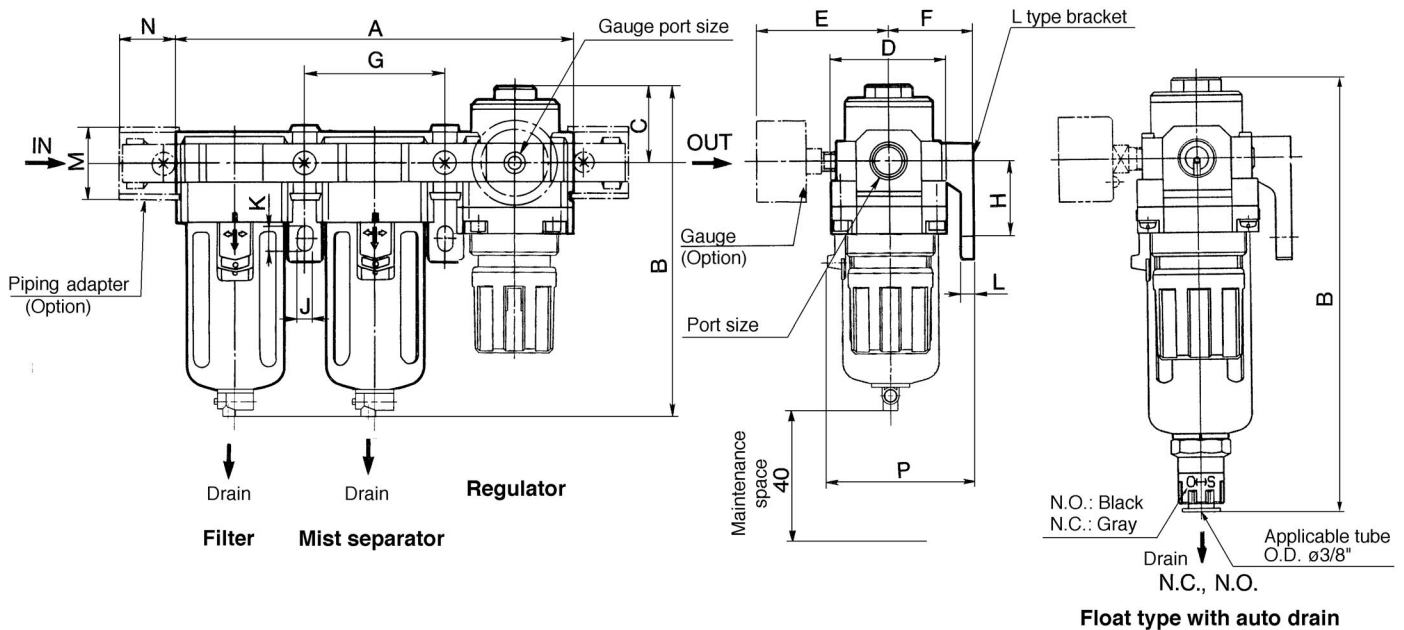
** Port size: □01 = 1/8, □02 = 1/4, □03 = 3/8, □04 = 1/2, □06 = 3/4

*** Standard port size without ()

NAC2030



NAC2530 • 3030 • 4030



Model	Port size (NPT)	A	B	C	D	E	F	G	H	J	K	L	M	N	P	With auto drain	
																Float B	Differential pressure B
NAC2030	1/8 • 1/4	5.51 (140)	4.07 (103.5)	0.67 (17)	1.57 (40)	2.28 (58)	1.18 (30)	1.97 (50)	0.94 (24)	0.22 (5.5)	0.33 (8.5)	0.20 (5)	0.87 (22)	0.91 (23)	1.97 (50)	—	4.98 (126.5)
NAC2530	1/4 • 3/8	7.13 (181)	5.51 (140)	0.98 (25)	2.09 (53)	2.44 (62)	1.61 (41)	2.52 (64)	1.38 (35)	0.28 (7)	0.43 (11)	0.28 (7)	1.35 (34.2)	1.02 *(26)	2.78 (70.5)	7.13 (181)	—
NAC3030	1/4 • 3/8	7.13 (181)	5.91 (150)	1.38 (35)	2.09 (53)	2.44 (62)	1.61 (41)	2.52 (64)	1.38 (35)	0.28 (7)	0.43 (11)	0.28 (7)	1.35 (34.2)	1.02 *(26)	2.78 (70.5)	7.52 (191)	—
NAC4030	1/4 • 3/8 • 1/2	9.37 (238)	7.26 (184.5)	1.48 (37.5)	2.76 (70)	2.76 (70)	1.97 (50)	3.31 (84)	1.57 (40)	0.35 (9)	0.51 (13)	0.28 (7)	1.67 (42.5)	1.30 *(33)	3.46 (88)	8.88 (225.5)	—
NAC4030-N06	3/4	9.96 (253)	7.46 (189.5)	1.59 (40.5)	2.76 (70)	2.91 (74)	1.97 (50)	3.50 (89)	1.57 (40)	0.35 (9)	0.51 (13)	0.28 (7)	1.82 (46.2)	1.42 (36)	3.46 (88)	9.07 (230.5)	—

*Piping adapter with 1/2 port used on NAC 2530 • 3030 is 1.57 (40). Piping adapter with 3/4 port used on NAC 4030 is 1.97 (50).

Semi-standard type

Model	Metal bowl B	Metal bowl with level gauge B
NAC2030	4.07 (103.5)	—
NAC2530	6.02 (153)	6.81 (173)
NAC3030	6.42 (163)	7.20 (183)
NAC4030	7.78 (197.5)	8.56 (217.5)
NAC4030-N06	7.97 (202.5)	8.76 (222.5)