

Filter  
NAF800, 900

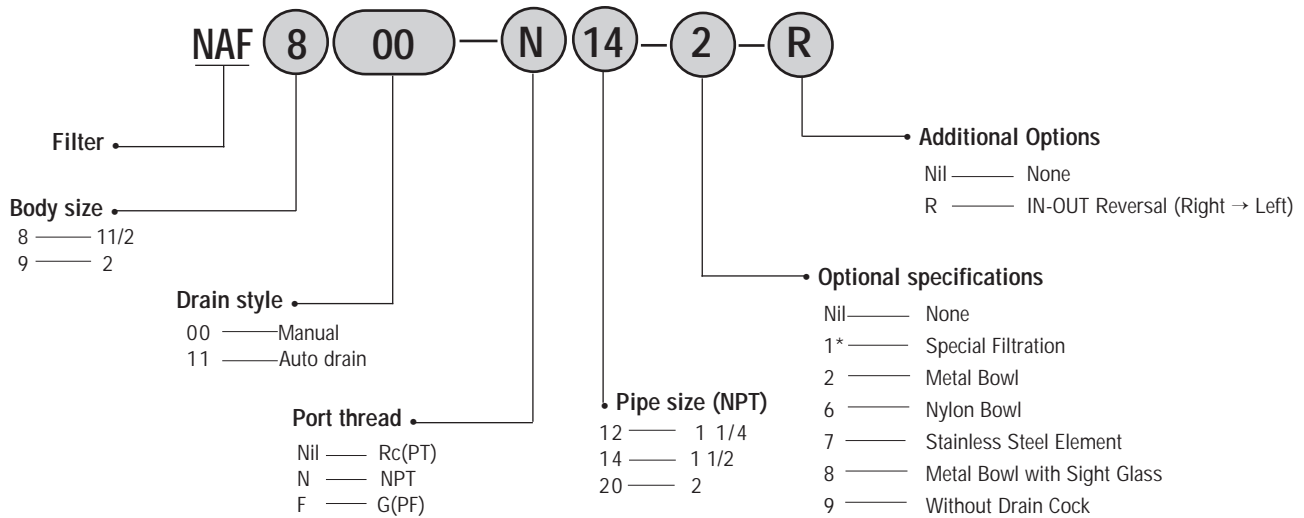


## Specifications

Model		NAF800	NAF900
Pipe size (NPT)		1 1/4 - 1 1/2	2
Net bowl capacity oz. (cm <sup>3</sup> )		6.1 (180)	6.1 (180)
Weight lbs (kgf)		6.94 (3.15)	12.02 (5.45)
Proof pressure psig (MPa)		220 (1.5)	
Max. operating pressure psig (MPa)		150 (1.0)	
Operating temperature range		23° ~ 140° F (-5° ~ 60° C)	
Filtration		40 standard, optional: 2, 10, 20, 70, 100 μm	
Bowl		Polycarbonate bowl	
Body		ADC	
Optional Accessories	Auto Drain (N.O.)	NAD34	NAD34

● Standard ▼ Optional —Not Available

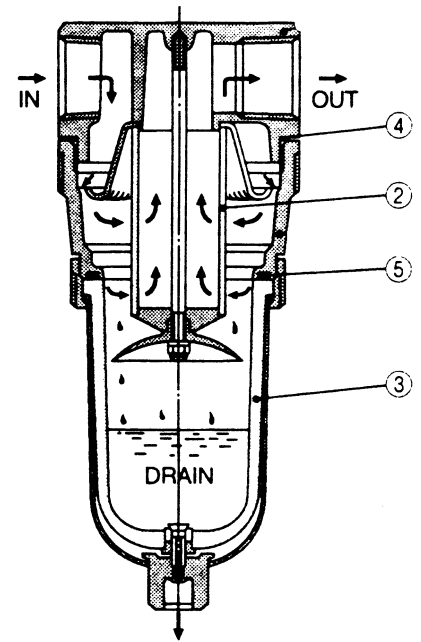
## How To Order



\* Please list Filtration after suffix number  
(Ex. For 100μm — NAF800-N14-1-100)

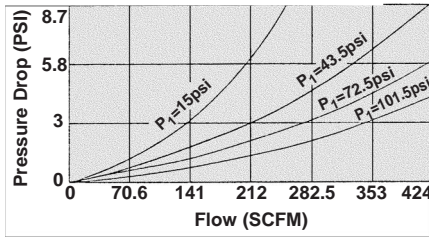
Construction/Parts List

Item No.	Name	Material	Model	
			NAF800	NAF900
②	Filter Element	Bronze	11345-40B	11352-40B
③	Bowl and guard	SPC	AF11-4	AF11-4
④	Housing O-ring	NBR	G-130	630332
⑤	Bowl O-ring		113136	113136
—	Repair Kit	—	KT-AF800-40B	KT-AF900-40B

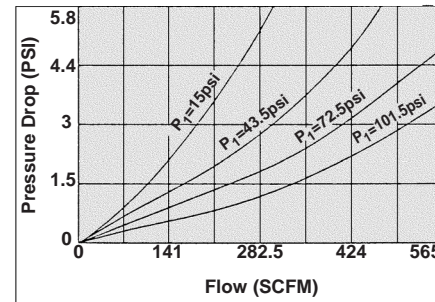


Flow Characteristics

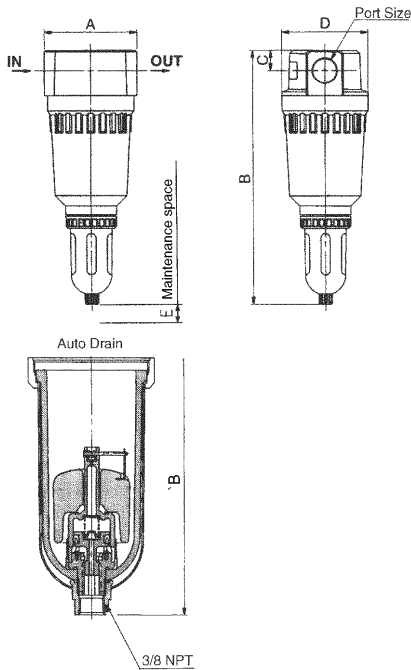
NAF800



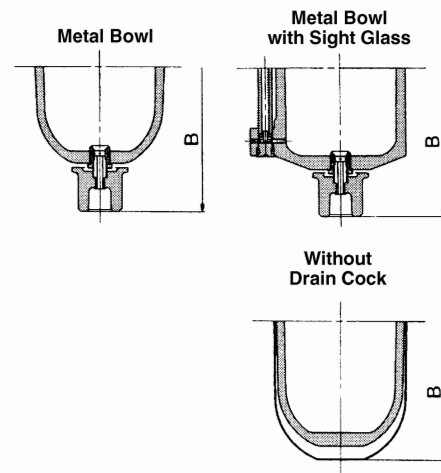
NAF900



Dimensions



Dimensions/with options



Model	A	B	B	C	D	E	Port size
NAF800	5.91	16.14	17.28 (439)	1.30	5.51 (140)	7.87 (200)	1 1/4 • 1 1/2
NAF900	7.87	19.29	20.43 (519)	1.81	6.69 (170)	10.24 (260)	2

Model	B		
	Metal Bowl	Metal Bowl w/sight glass	w/o Drain Cock
NAF811	16.10 (409)	17.34 (440.5)	15.49 (393.5)
NAF911	19.25 (489)	20.49 (520.5)	18.64 (473.5)