

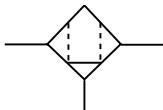


NAFM4000



NAFM3000

ANSI Symbol



Specifications

Model	NAFM2000	NAFM3000	NAFM4000	NAFM4000-N06
Port size NPT	1/8 • 1/4	1/4 • 3/8	1/4 • 3/8 • 1/2	3/4
Proof pressure psig (MPa)	220 (1.5)			
Max. operating pressure psig (MPa)	150 (1.0)			
Min. operating pressure psig (MPa)	7 (0.05)			
Flow capacity scfm*	7	16	39	39
Filtration	0.3µm			
Bowl material	Polycarbonate			
Bowl capacity oz(cm³)	.27 (8)	.78 (23)	1.52 (45)	1.52 (45)
Weight lbs. (kgf)	0.42 (0.19)	0.64 (0.29)	1.19 (0.54)	1.28 (0.58)
Accessory (standard)	Bowl guard	●	●	●

* Conditions: Supply pressure: 100psig.

Accessories (Optional)

Type	Part No.			
	NAFM2000	NAFM3000	NAFM4000	NAFM4000-N06
Bracket	B240A	B340A	B440A	B540A
Float type auto drain*	N.O.	—	NAD43	NAD44
	N.C.	—	NAD53	NAD54
Differential type auto drain*	NAD62-C	—	—	—

* Min. operating pressure: N .O. - 15 psig, N.C. - 22 psig.

Precautions

Installation

- ① Flush piping before installation.

Atmosphere

- ① Polycarbonate bowls may be damaged and possibly fail if exposed to synthetic oils, thinner solvents, trichlorethylene, kerosene or other aromatic hydrocarbons. When used in above atmosphere, please use a metal bowl.

Auto Drain

- ① Float type (Normally open) drain line should be 5/16 in. (8mm) or more and should be less than 16.5 ft. (5m). Be sure not to have any upward turns in the drain line which would prevent drainage.
- ② Unsuitable for flow below 3.5scfm (100ℓ/min).
- ③ Min. operating pressure 15psi (0.1MPa).

Differential type

- ① Min. operating pressure 15psi (0.1MPa).
- ② Soft nylon tube of more than 3/32 in. (2.5mm) is recommended for drain piping. The overall length should be less than 16.5 ft. (5m). Be sure not to have any upward turns in the piping.
- ③ Install vertically.

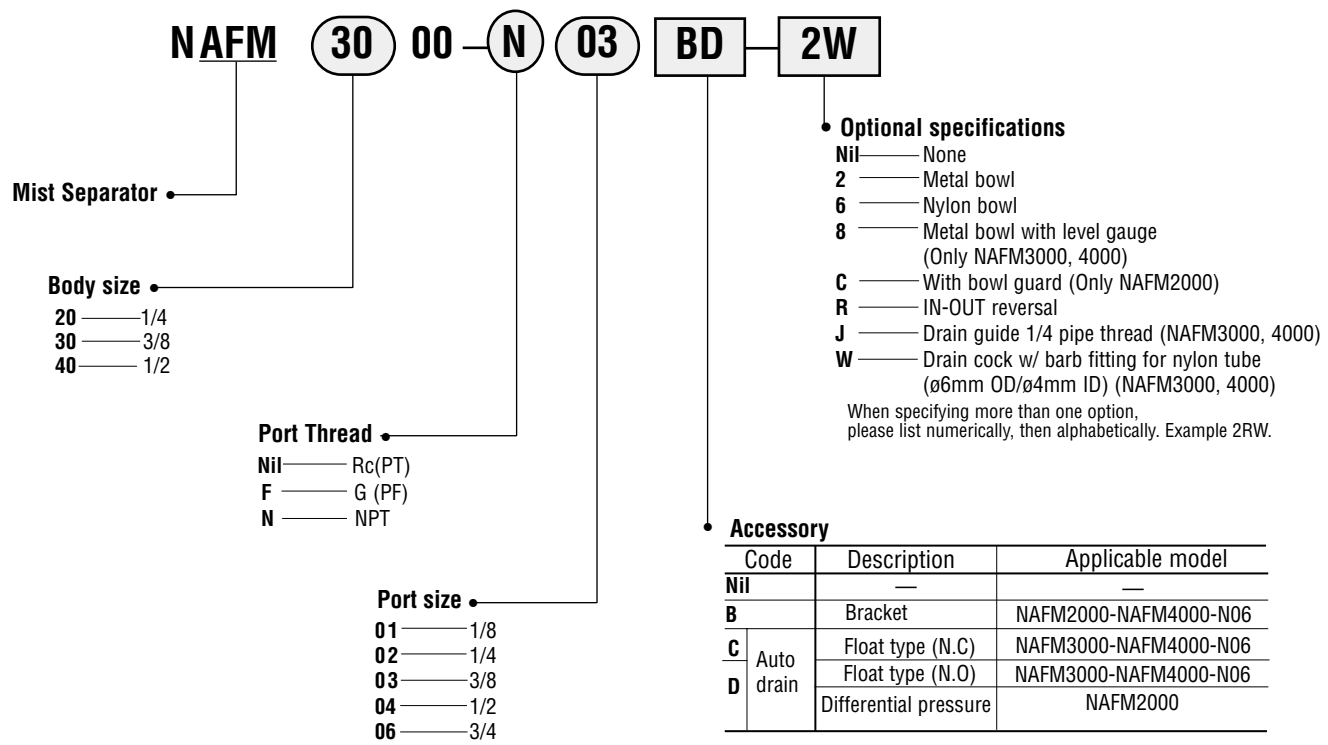
Maintenance

- ① Filter element to be changed after 1 year or when a pressure drop of 15psi (0.1MPa) is reached.

How To Order

NAFM2000, 3000, 4000

How to Order



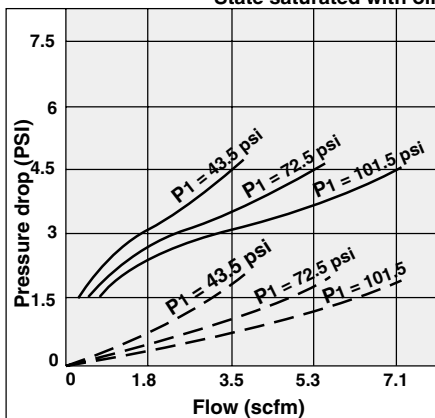
Accessories and Combination Table

- ▼ Combination
- No Combination
- Refer to "How to order"

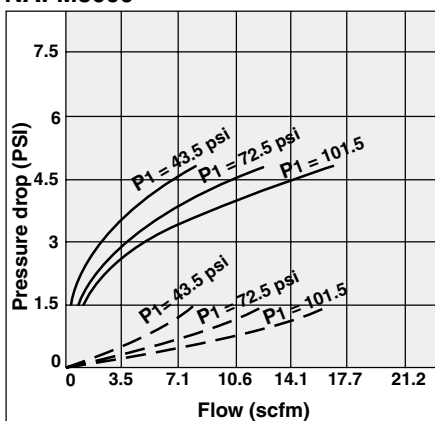
Accessory	Suffix	D	D	C	2	6	8	C	J	R	W	Applicable model		
												NAFM2000	NAFM3000	NAFM4000 NAFM6000
Differential pressure auto drain	D				▼	▼		●		▼		▼		
Float auto drain (N.O.)	D				▼	▼	●			▼			▼	▼
Float auto drain (N.C.)	C				▼	▼	●			▼			▼	▼
Metal bowl	-2	▼	▼	▼					●	▼		▼	▼	▼
Nylon bowl	-6	▼	▼	▼				●	●	▼	●	▼	▼	▼
Metal bowl with level gauge	-8		▼	▼					●	▼		▼	▼	▼
With bowl guard	-C	▼				▼				▼		▼		
Drain guide (1/4)	-J				▼	▼	●			▼			▼	▼
In-Out reversal	-R	▼	▼	▼	▼	▼	●	●	●		●	▼	▼	▼
Drain cock, with barb fitting	-W					▼				▼			▼	▼

Flow Characteristics

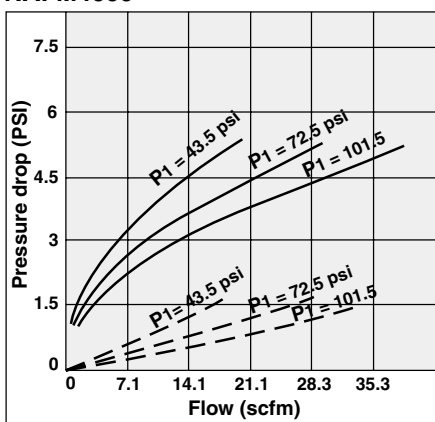
NAFM2000 — — Initial state
———— State saturated with oil



NAFM3000

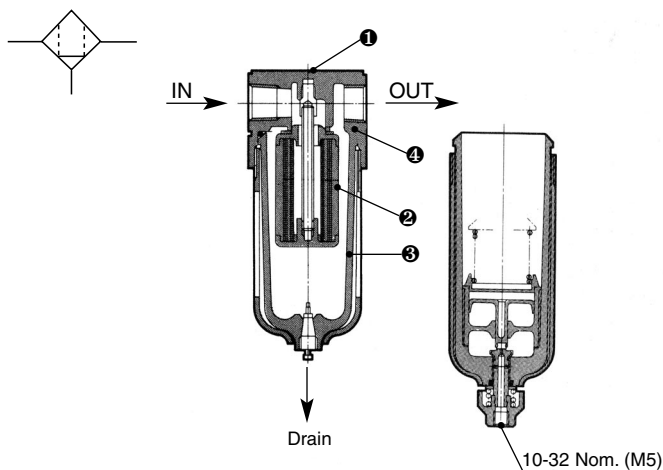


NAFM4000



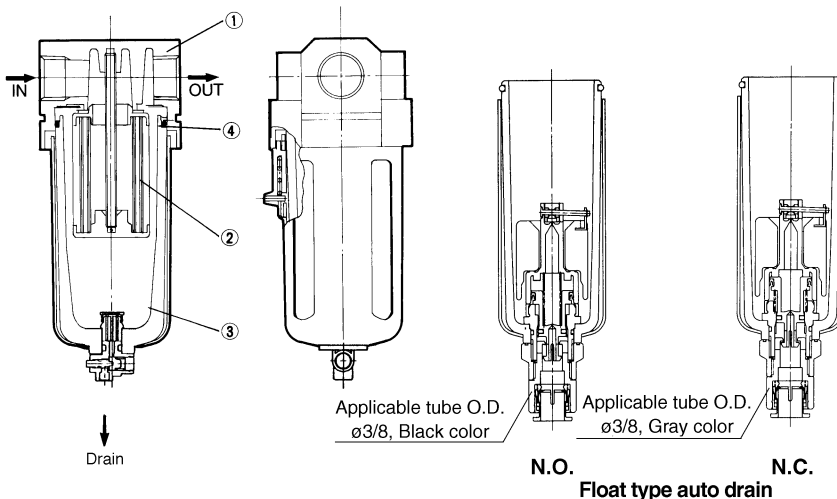
Construction/Parts List

Symbol NAFM2000



Differential pressure auto drain

NAFM3000•4000



N.O. N.C.
Float type auto drain

Main Parts

No.	Name	Material		Note
		NAFM2000	NAFM3000, NAFM4000, 4000-N06	
①	Body	Zinc die casting	Aluminum die casting	Platinum silver painting

Component Parts List

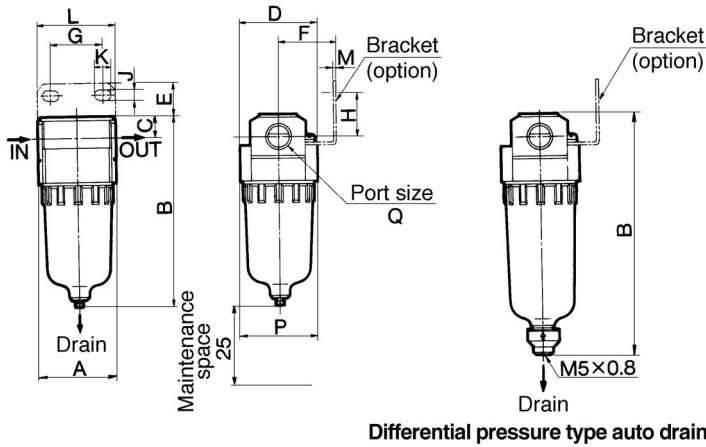
No.	Parts Name	Material	Part No.		
			NAFM2000	NAFM3000	NAFM4000, NAFM4000-N06
②	Element ass'y	—	630611	630617	630623
③	Bowl ass'y	Polycarbonate	NC200F-C	NC300F	NC400F
④	O-ring	NBR	11297	111512	111636

*Bowl assemblies of NAFM3000•4000 are fitted with bowl guard (SPCE).

Dimensions

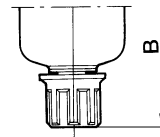
NAFM 2000, 3000, 4000,

NAFM2000

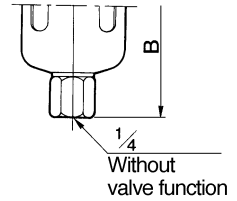


Option

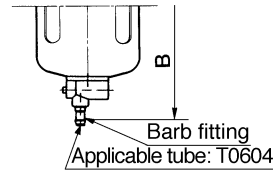
Metal bowl



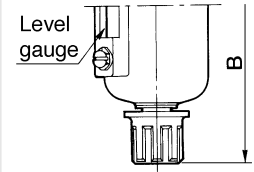
Drain guide



Drain cock/Barb fitting

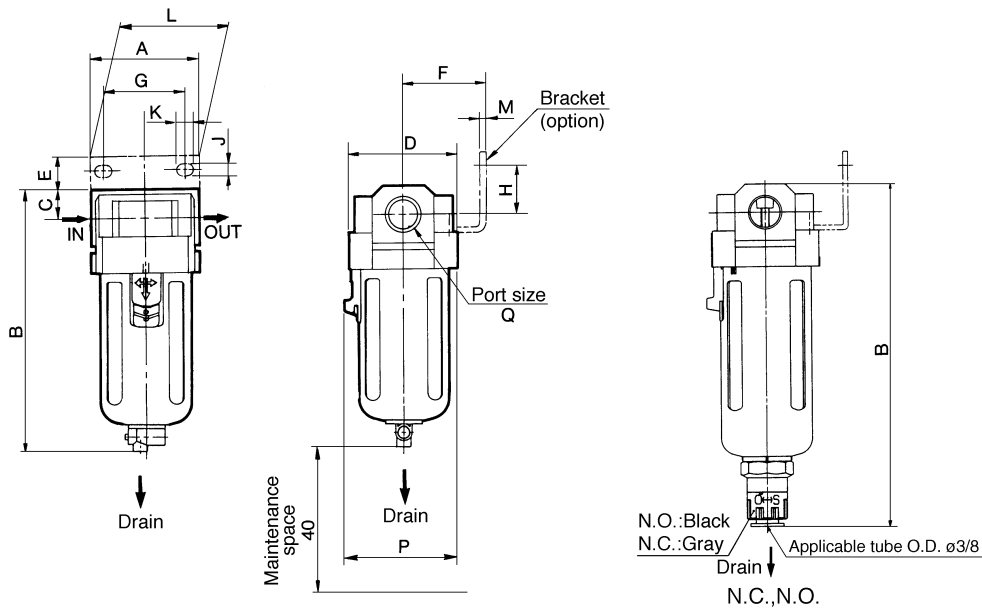


Level gauge



Model	Barb fitting	Drain guide	Metal bowl	Metal bowl with level gauge
	B	B	B	B
NAFM2000	—	—	3.84 (97.5)	—
NAFM3000	5.41 (137.5)	5.31 (135)	5.59 (142)	6.38 (162)
NAFM4000	6.83 (173.5)	6.73 (171)	7.01 (178)	7.80 (198)
NAFM4000-06	6.99 (177.5)	6.89 (175)	7.17 (182)	7.95 (202)

NAFM3000•4000



Float type auto-drain

Inch (mm)

Model	Port size	A	B	C	D	E	F	G	H	J	K	L	M	P	With auto drain	
															Float	Differential pressure
															B	B
NAFM2000	1/8 • 1/4	1.57 (40)	3.84 (97.5)	.43 (11)	1.57 (40)	.67 (17)	1.18 (30)	1.06 (27)	.87 (22)	.21 (5.4)	.33 (8.4)	1.57 (40)	.09 (2.3)	1.57 (40)	—	4.74 (120.5)
NAFM3000	1/4 • 3/8	2.09 (53)	5.08 (129)	.55 (14)	2.09 (53)	.63 (16)	1.61 (41)	1.57 (40)	0.91 (23)	0.26 (6.5)	0.31 (8)	2.09 (53)	0.09 (2.3)	2.20 (56)	6.69 (170)	—
NAFM4000	1/4 • 3/8 • 1/2	2.76 (70)	6.50 (165)	.71 (18)	2.76 (70)	0.67 (17)	1.97 (50)	2.13 (54)	1.02 (26)	0.33 (8.5)	0.41 (10.5)	2.76 (70)	0.09 (2.3)	2.87 (73)	8.11 (206)	—
NAFM4000-N06	3/4	2.95 (75)	6.65 (169)	0.79 (20)	2.76 (70)	0.55 (14)	1.97 (50)	2.13 (54)	0.98 (25)	0.33 (8.5)	.41 (10.5)	2.76 (70)	0.09 (2.3)	2.87 (73)	8.27 (210)	—