



Lubricator
NALF400



Tank
NALT-5

Specifications

Auto Feed Lube NALF	NALF400	NALF400-N06	NALF500	NALF600	NALF800	NALF900
Max. supply pressure psig (MPa)	220 (1.5)					
Max. operating pressure psig (MPa)	100 (0.7)					
Pressure differential operating range* psig (MPa)	15~90 (0.1~0.6)					
Operating temp. range	40° ~140° F					
Recommended lubricant	Turbine Oil #1 (ISO VG32)					
Bowl	Polycarbonate					

Auto Feed Tank NALT	NALT-5	NALT-5-1S-*1	NALT-9	NALT-9-1S-*1
Max. supply pressure psig (MPa)	220 (1.5)			
Max. operating pressure psig (MPa)	150 (1.0)			
Operating temp. range	23° ~140° F (-5° ~60° C)			
Recommended lubricant	Turbine Oil #1 (ISO VG32)			
Body	ADC			

*Between tank and line pressure

Auto Feed Lubricator NALF Series

Model	NALF400			NALF400-N06	NALF500		NALF600	NALF800		NALF900
Pipe size	1/8	3/8	1/2	3/4	3/4	1	1	1-1/4	1-1/2	2
Min. flow for oil drip scfm	2.2	3.5	4.2	4.2	6.6		7.7	16.1	23	63
Weight lbs (kgf)	1.87 (0.85)			1.94 (0.88)	2.21 (1.0)		2.54 (1.15)	4.08 (1.85)		4.19 (1.9)
Bowl guard (standard)	•			•	•		•	•		•
Bracket	B44P			B44-1P	B45-1P	B45-2P	B46P	—		—

*With supply pressure of 73 psig oil drip rate 5 drops/min, use turbine oil #1 VG32, Temperature 68° F

Auto Feed Tank NALT Series

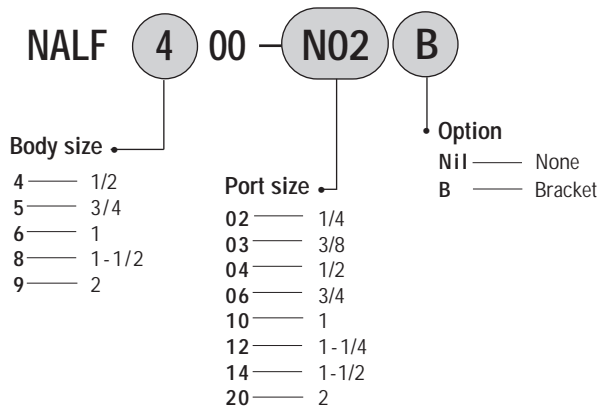
Model	NALT-5	NALT-5-IS-*1~2	NALT-9	NALT-9-IS-*1~2
Pipe size	Air IN: 1/4, OUT: 3/8			
Oil capacity oz (cm3)	169 (5000)	169 (5000)	304 (9000)	304 (9000)
Weight lbs (kgf)	27.8 (12.6)	29.1 (13.2)	57.3 (26.0)	58.7 (26.6)
Float switch specification*	—		—	
Voltage	—		100V 0.25A	100V 0.25A

*Float switch: Both a low level and high level float switch is available. Add Suffix 1 for a low level (Float down ON), 2 for high level switch (Float down OFF).

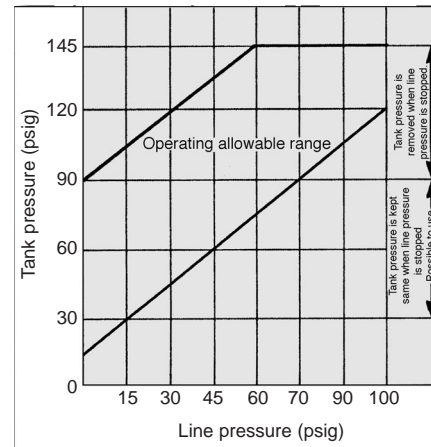
Auto Feed Lubricators

NALF400, 400-06, 500, 600, 800, 900

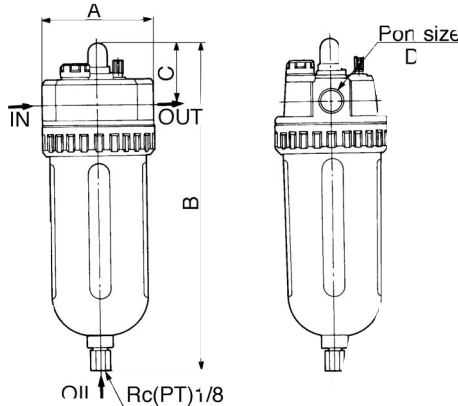
How To Order



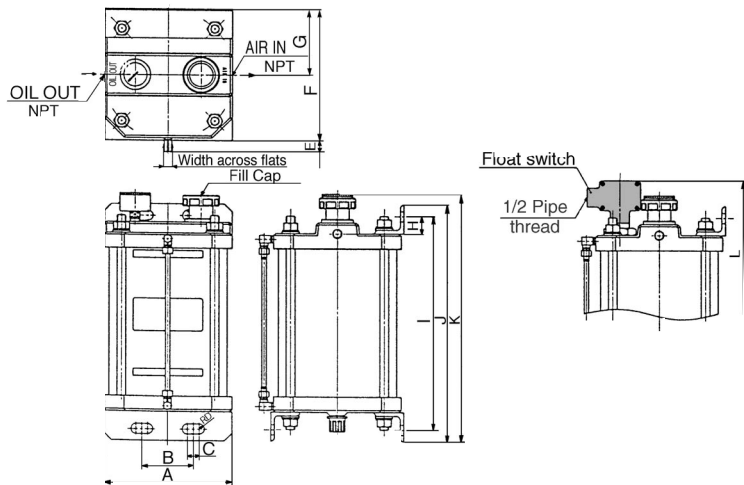
Pressure Characteristics



Dimensions/Auto feed lubricator



Dimensions/Auto feed tank



Model	A	B	C	Port Size D
NALF400	3.15 (80)	9.39 (238.5)	1.73 (44)	1/4 • 3/8 • 1/2
NALF400-N06	3.35 (85)	9.70 (246.5)	1.81 (46)	3/4
NALF500	3.54 (90)	11.63 (295.5)	1.89 (48)	3/4 • 1
NALF600	3.94 (100)	12.58 (319.5)	2.01 (51)	1
NALF800	3.94 (100)	13.33 (338.5)	2.32 (59)	1-1/4 • 1-1/2
NALF900	3.94 (100)	13.56 (344.5)	2.48 (63)	2

Oil Distributor

Model	Number of oil outlets	Remark
VA4	4	Both ends
VA6	6	Both ends
VA10	10	Both ends
VA16	16	Both ends
VB4	4	One side
VB6	6	One side
VB8	8	One side

Float Switch Specifications

Description	IS410-1~2
Capacity	AC: 15VA, DC: 15W
Voltage	AC100V, DC250V
Proof Pressure psig (MPa)	220 (1.5)
Max. Oper. Pressure psig (MPa)	150 (1.0)
Media	Water, Oil
Ambient and Fluid Temperature	40~140° F (5~60° C)

Model	A	B	C	D	E	F	G	H	I	J	K	L
ALT-5	6.85 (174)	2.76 (70)	.63 (16)	.28 (7)	3.58 (91)	4.17 (106)	7.76 (197)	.94 (24)	15.04 (382)	16.30 (414)	16.85 (428)	—
ALT-5-IS	6.85 (174)	2.76 (70)	.63 (16)	.28 (7)	3.58 (91)	4.17 (106)	7.76 (197)	.94 (24)	15.04 (382)	16.30 (414)	16.85 (428)	17.68 (449)
ALT-9	9.21 (234)	4.25 (108)	1.18 (30)	.28 (7)	4.76 (121)	5.39 (137)	10.16 (258)	1.57 (40)	16.61 (422)	18.58 (472)	—	—
ALT-9-IS	9.21 (234)	4.25 (108)	1.18 (30)	.28 (7)	4.76 (121)	5.39 (137)	10.16 (258)	1.57 (40)	16.61 (422)	18.58 (472)	—	18.98 (482)