

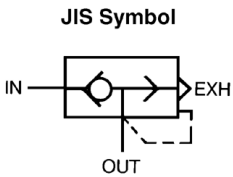
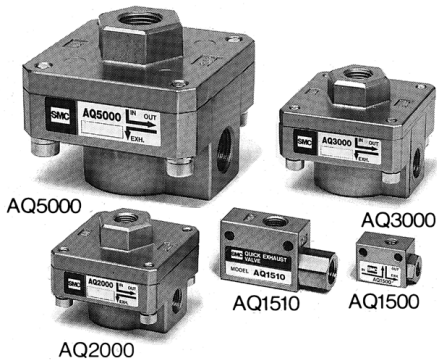


Quick Exhaust Valve

Series AQ

Lip Type, Diaphragm Type

- High exhaust characteristics
- Port size range from M5 to 3/4
- High flow capacity
- Compact and light weight
- Low differential pressure



How to Order

N **AQ** **2** **0** **0** **0** — **02**

Area Code

Nil	Japan, Asia, Australia, UK
N	U.S.A.

Body size

1	1/8
2	1/4
3	3/8
5	3/4

Type

Symbol	Type	Model
0	Diaphragm	AQ2 to AQ5
5	Lip	AQ1 Only

Port size

Port size	Applicable series
M5	M5 x 0.8
01	1/8
02	1/4
03	3/8
04	1/2
06	3/4

Port Thread

Nil	M5, Rc
N	NPT
F	G

Body size for AQ15□0

0	M5 x 0.8
1	1/8

Note) "AQ15□0" only

Specifications

Fluid	Air	
Proof pressure	1.5MPa	
Maximum operating pressure	AQ15□0	0.7MPa
	AQ2000 to 5000	1MPa
Minimum operating pressure	AQ15□0	0.1MPa
	AQ2000 to 5000	0.05MPa
Ambient and fluid temperature	- 5° to 60°C (No freezing)	

Model

Model	Port size	Effective area (mm ²)		Weight (g)
		IN→OUT	OUT→EXH	
AQ1500-M5	M5 x 0.8	2	2.8	25
AQ1510-01	1/8	4	5.8	45
AQ2000-01	1/8	25	25	110
AQ2000-02	1/4	35	40	105
AQ3000-02	1/4	40	42	215
AQ3000-03	3/8	60	70	205
AQ5000-04	1/2	105	115	690
AQ5000-06	3/4	135	180	650

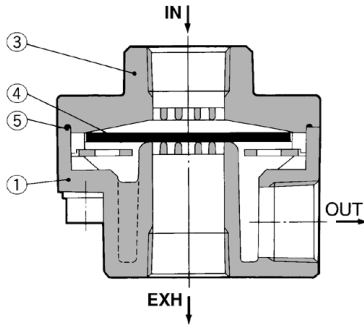
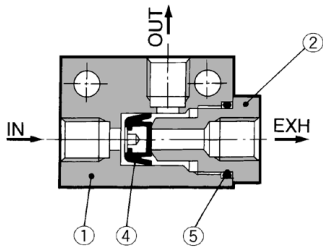
⚠ Caution

Be sure to read before handling.
Refer to page 64 and 65 for Safety Instructions and common precautions on the products mentioned in this catalog, and refer to pages 66 through 68 for precautions on every series.

Construction

AQ1500/1510

AQ2000/3000/5000



Component Parts

No.	Description	Material/Model		
		AQ1500	AQ1510	AQ2000/3000/5000
①	Body	Zinc die casted	Zinc die casted	Aluminum die casted
②	Guide	Brass	Brass	—
③	Cover	—	—	Aluminum die casted

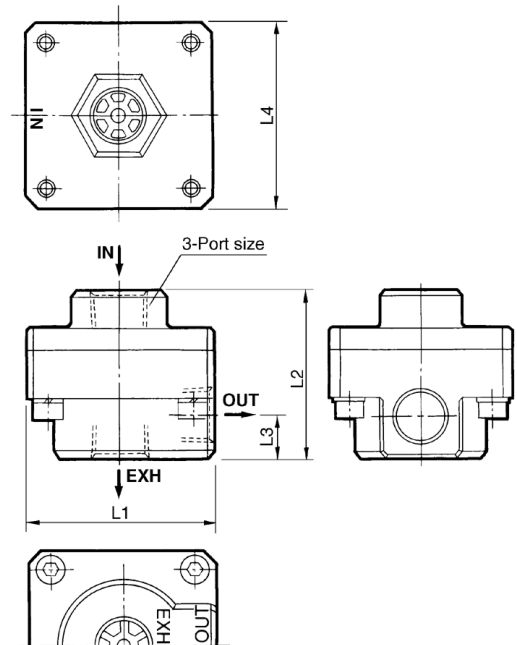
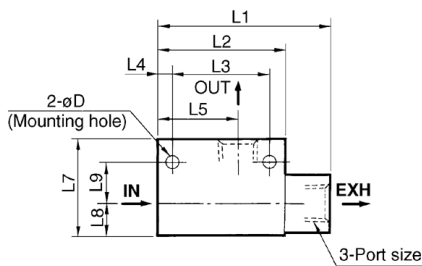
Replacement Parts

No.	Description	Material	Part No.				
			AQ1500	AQ1510	AQ2000	AQ3000	AQ5000
④	Valve	NBR	30083	30093	30073	30053	30063
⑤	O-ring	NBR	9 x 7 x 1	JISB2401P-7	CA40-1601	CA50-1602	30066

Dimensions

AQ1500/1510

AQ2000/3000/5000



Model	Port size	L1	L2	L3	L4	L5	L6	L7	L8	L9	D
AQ1500	M5 x 0.8	23	20	14	3	12.5	12	15	5.5	6.5	3.1
AQ1510	1/8	45	33	25	4	21	15	25	8	11	4.3

Model	Port size	L1	L2	L3	L4
AQ2000	1/8, 1/4	45	40	10	45
AQ3000	1/4, 3/8	56	50	12.5	56
AQ5000	1/2, 3/4	85	75	18	85