

# REGULATOR SERIES (N)AR

- ✓ Port Size M5 – 1"
- ✓ "Q" and "P" compensation
- ✓ Design includes panel mount ring
- ✓ High flow
- ✓ Non-modular, higher flow and precision type regulators are available (see index)
- ✓ Check valve option available
- ✓ Built in gauge available



## TECHNICAL SPECIFICATIONS

Model	NAR1000	NAR2000	NAR2500	NAR3000	NAR4000	NAR5000	NAR6000
Port Size	M5x0.8	½ ¼	¼ ¾	¼ ¾	¾ ½	¾ 1	1
Flow Rate (n/min)*	100	550	2000	2500	6000	8000	10000
Max Supply Pressure	1.5MPa / 220PSI						
Max Operating Pressure	1MPa / 145PSI						
Pressure Regulating Range	0.05-0.7MPa	0.05-0.8MPa/ 8-125PSI (AR*000); see Note 1 below					
Optional low pressure regulator range	0.02-0.2MPa / 3-30PSI						
Port Size for Pressure Gauge	½	¾	¾	¾	¾	¾	¾
Ambient and Media Temperature	5 ~ 60°C / 40-140°F						
Construction	Relieving Type						

\* 0.7MPa supply, pressure = 0.5MPa, Pressure drop ΔP = 0.1MPa;

Note 1) 14.4-125PSI (AR\*060)

- .....Japanese  
N .....North American

## HOW TO ORDER PRESSURE REGULATOR

(N)AR

### BODY SIZE

- 10 ...M5
- 20 ...½•¼
- 25 ...¼•¾
- 30 ...¼•¾
- 40 ...¾•½•¼
- 50 ...¾•1"
- 60 ...1"

- 0 .....Relieving
- 6 .....With Check Valve  
\* Built-in Gauge not available with this option. Standard on AR1000

### GAUGE

- 0 .....With gauge port
- 1 .....With Built-in Gauge  
(Available for body sizes 20-40 only)

### PORT SIZE

- M5 ...M5
- 01 ...½
- 02 ...¼
- 03 ...¾
- 04 ...½
- 06 ...¾
- 10 ...1"

### PORT THREAD

- .....Rc(PT)\* Remove (N) when ordering
- F .....PF
- N .....NPT\* Remove (N) when ordering

### ACCESSORIES

- .....Without
- G .....Gauge for NAR\*\*01 type
- B .....Bracket

### REGULATOR RANGE

- .....Standard
- 1 .....Low pressure 0.2~2 Bar
- R .....For right to left flow (with Built-In Gauge Type only)
- M .....Metal Seal Type
- N .....Non-Relieving Type

## ACCESSORIES PRESSURE REGULATOR

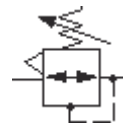
Bracket	
B120	.....NAR1000
B220	.....NAR2000/2500
B320	.....NAR3000
B420	.....NAR4000
B540	.....NAR5000
B640	.....NAR6000

FOR MORE TECHNICAL INFORMATION ON THIS SERIES, PLEASE REFER TO CAT:E5G, N5-G1 & N5-G3

## PRESSURE GAUGES

See Pressure Gauges Page

## SYMBOLS



Relieving type



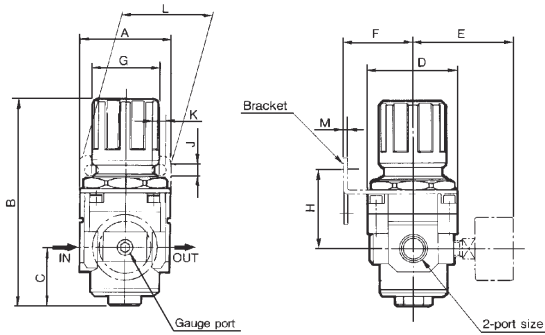
Check valve type



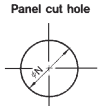
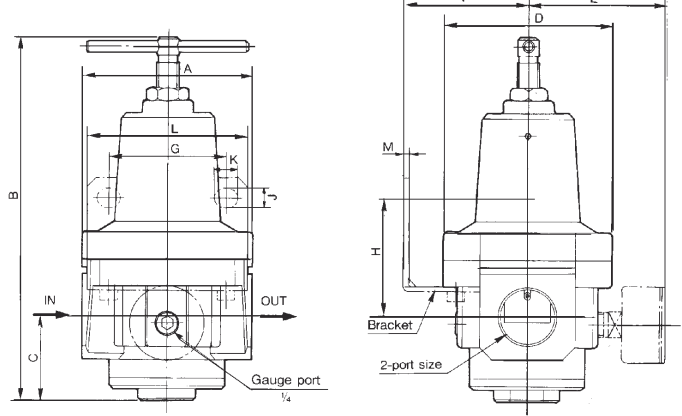
FOR FURTHER TECHNICAL DETAILS ON THIS PRODUCT REQUEST CATALOG REFERENCE E5G, N5-G1 & N5-G3

FOR MORE TECHNICAL INFORMATION ON THIS SERIES, PLEASE REFER TO CAT:E5G, N5-G1 & N5-G3

### DIMENSIONS NAR1000~NAR5000



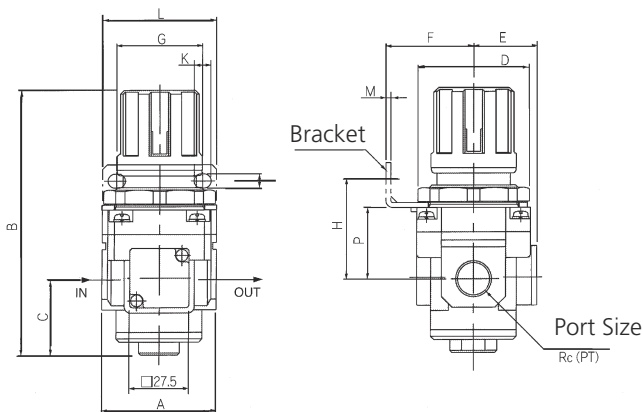
### DIMENSIONS NAR6000



AR1000 - AR3000: Max. 3.5t  
AR4000 - 5000: Max. 5t

Model	A	B	C	D	E	F	G	H	J	K	L	M	N
NAR1000	25	61.5	11	25	26	25	18	30	4.5	6.5	40	2	20.5
NAR2000	40	95	17	40	56.8	30	30	45	5.4	15.4	55	2.3	33.5
NAR2500	53	102.5	25	48	60.8	30	34	44	5.4	15.4	55	2.3	33.5
NAR3000	53	127.5	35	53	60.8	41	40	46	6.5	8	53	2.3	42.5
NAR4000	70	149.5	37.5	70	65.5	50	54	54	8.5	10.5	70	2.3	52.5
NAR5000	90	168	48	90	75.5	70	66	65.8	11	13	90	3.2	52.5
NAR6000	95	204.5	48	95	78	70	66	65.8	11	13	90	3.2	-

### DIMENSIONS NAR2001 ~ NAR4001



Model	Part Size	A	B	C	D	E	F	G	Bracket Dimensions				H	J	K	L	M	N
NAR2001	1/8 • 1/4	40	95	17	40	35	30	34	44	5.4	15.4	55	2.3	33.5				
NAR2501	1/4 • 3/8	53	102.5	25	48	32	30	34	34	44	5.4	15.4	55	2.3				
NAR3001	1/4 • 3/8	53	127.5	35	53	29.5	41	40	46	6.5	8	53	2.3	42.5				
NAR4001	1/4 • 3/8 • 1/2	70	149.5	37.5	70	38	50	54	54	8.5	10.5	70	2.3	52.5				

SEE INSIDE FRONT COVER FOR  
DETAILS OF YOUR LOCAL SALES OFFICE



FOR FURTHER TECHNICAL  
DETAILS ON THIS  
PRODUCT REQUEST  
CATALOG REFERENCE  
E5G, N5-G1 & N5-G3