

Precision Regulator
NARP 3000

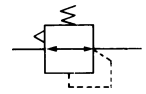


NARP3000-02



NARP3000-02BG

ANSI Symbol



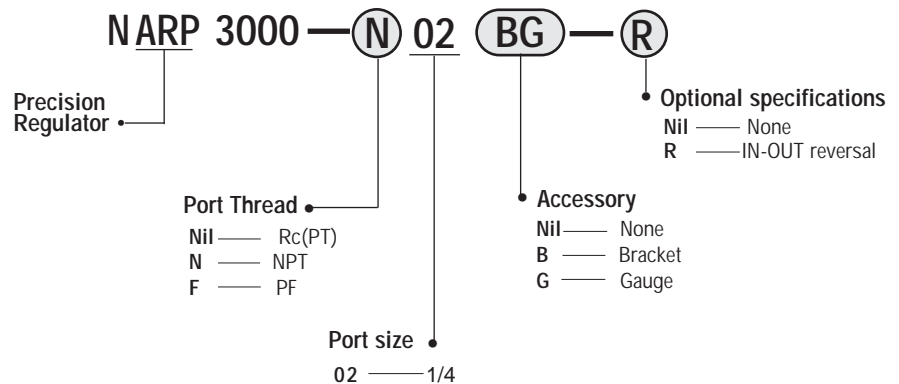
Specifications

Model	NARP3000
Port size	1/4
Proof pressure psig (MPa)	174 (1.2)
Max. working pressure psig (MPa)	115 (0.8)
Set pressure psig (MPa)	0.7 ~ 45 (0.005 ~ 0.3)
Sensitivity psig (MPa)	0.15 (0.001)
Repeatability psig (MPa)	±.45 (±0.003)
Air consumption scfm	0.20 @ 45 psig
Ambient and fluid temperature	40° ~ 140° F (-5° ~ 60° C)
Construction	Relieving style
Weight lbs (Kgf)	0.93 (0.42)

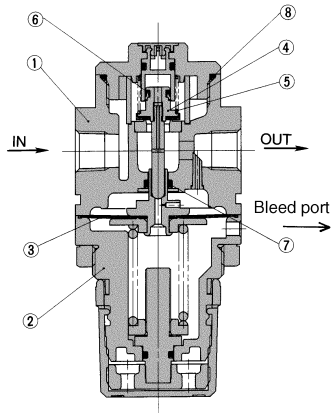
Accessories (Optional)

Option	Part Number
Bracket	B320
Gauge 0 ~ 60 psig (0 ~ 0.4 MPa)	K40-MP0.4-N01S

How To Order



Construction/Parts List



Component Parts

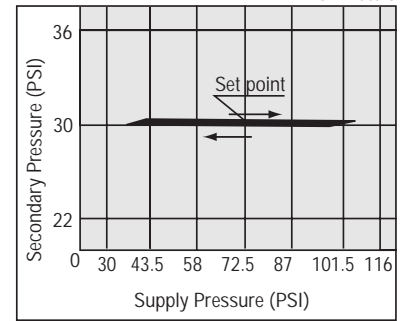
No.	Name	Material	Note
①	Body	ADC	Platinum silver painting
②	Bonnet	ADC	Black painting

Replacement Parts

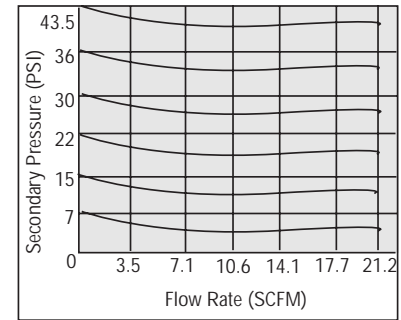
No.	Name	Material	Part number
③	Diaphragm Ass'y	NBR	1315510A
④	Valve Ass'y	Brass+NBR	1315506A
⑤	Valve Spring	SUS	1315516-2
⑥	Packing	NBR	MYN-5
⑦	O-ring	NBR	P6
⑧	O-ring	NBR	131545

Pressure/Flow Characteristics

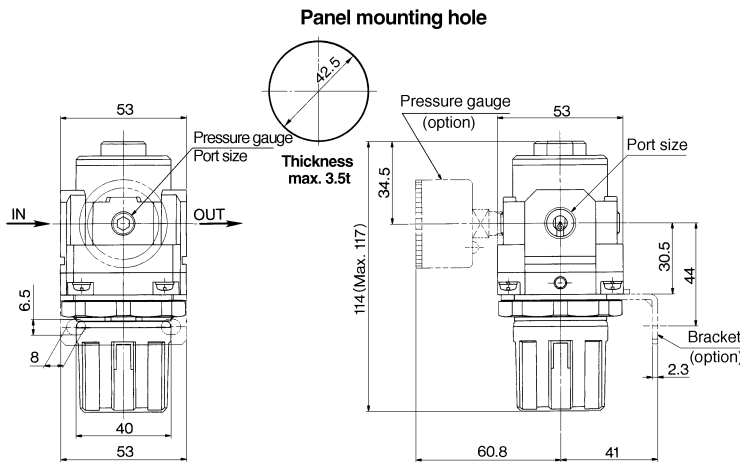
Supply pressure 72 psig
Secondary pressure 30 psig
Flow Rate 0



Supply pressure 100 psig



Dimensions



Setting

- ① The adjustment knob is the locking type. Pull the knob away from the body until the orange band is visible. Adjust as necessary and push the knob back into its locked position to prevent accidental setting change.



- ② Turning the adjustment knob clockwise increases the pressure and turning the knob counter clockwise will reduce the pressure.
- ③ Check supply pressure before adjusting pressure.

Precautions

- <Installation>
- ① Air flush piping before installation.
 - ② Install with at least 2.5 in. of free space below the unit to allow easy access.