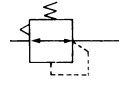




ANSI Symbol



- Locking adjustment knob prevents accidental setting changes
- Various pressure range settings accommodate most applications
- Modular design connects with other SMC air preparation equipment



NAR4000-N04 NAR3000-N03BG NAR2500-N03 NAR2000-N02BG

Specifications

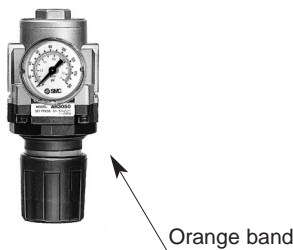
Model	NAR1000	NAR2000	NAR2500	NAR3000	NAR4000	NAR4000-N06	NAR5000	NAR6000
Port Size NPT	10-32Nom. (M5)	1/8 • 1/4	1/4 • 3/8	1/4 • 3/8	1/4• 3/8• 1/2	3/4	3/4 • 1	1
Proof pressure psig (MPa)	220 (1.5)							
Max oper. pressure psig (MPa)	150 (1.0)							
Regulating range psig (MPa)	7~100 (0.05~0.7)	7~120 (0.05 ~ 0.85)						
Port size for pressure gauge	1/16 Rc(PT)	1/8 NPT	1/8 NPT	1/8 NPT	1/4 NPT	1/4 NPT	1/4 NPT	1/4 NPT
Ambient and media temp.	23° ~140° F (-5° ~ 60° C)							
Construction	Relieving style							
Weight lbs. (kgf)	0.18 (0.08)	0.60 (0.27)	0.60 (0.27)	0.90 (0.41)	1.85 (0.84)	2.07 (0.94)	2.62 (1.19)	3.42 (1.55)

Accessories

Type	Part No.							
	NAR1000	NAR2000	NAR2500	NAR3000	NAR4000	NAR4000-N06	NAR5000	NAR6000
Bracket	B120	B220	B220	B320	B420	B420	B640A	B640A
Pressure gauge	G27-P10-R1	K40A-MP1.0-N01M	K40A-MP1.0-N01M	K40A-MP1.0-N01M	K50A-MP1.0-N02M	K50A-MP1.0-N02M	K50A-MP1.0-N02M	K50A-MP1.0-N02M

Setting

- The adjustment knob is of the locking type.
Pull the knob away from the body until an orange band is visible. Adjust as necessary and push the knob back into its locked position to prevent accidental setting change.



- Turning the adjustment knob clockwise increases the pressure and turning the knob counter clockwise will reduce the pressure.
- Check supply pressure before adjusting pressure.

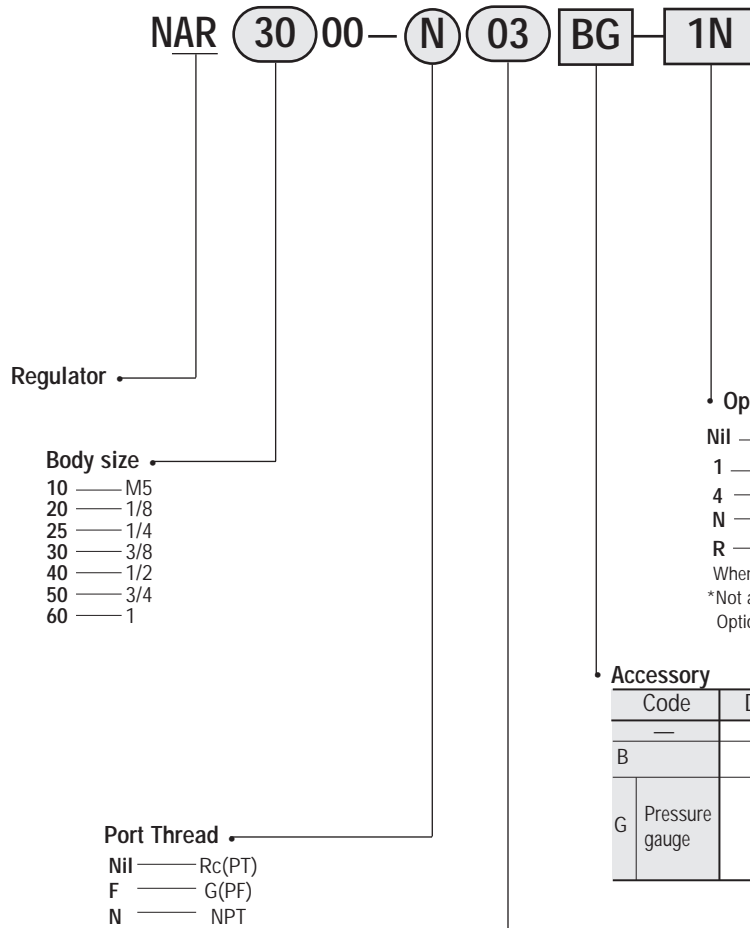
Precautions

<Installation>

Flush piping before installation.
Install with at least 2.5 in. (60mm) of free space below the unit to allow easy access.

How To Order

NAR 1000, 2000, 2500, 3000, 4000, 5000, 6000



Optional specifications

Nil — None

1 — 3-30 psig (0.02-0.2 MPa) setting*

4 — 3-60 psig (0.02-0.4 MPa) setting*

N — Non-relieving

R — IN-OUT reversal (Right → Left)

When specifying more than one option, please list numerically, then alphabetically.

*Not a maximum setting. Option 1 is more precise in the range of 3-30 psig.

Option 4 is more precise in the range of 3-60 psig.

Accessory

Code	Description	Applicable model
B	Bracket	NAR1000-NAR6000
G	Pressure gauge	NAR1000-NAR6000

Port size

M5-10-32 Nom. (M5)

01 — 1/8

02 — 1/4

03 — 3/8

04 — 1/2

06 — 3/4

10 — 1

Accessories and Combinations

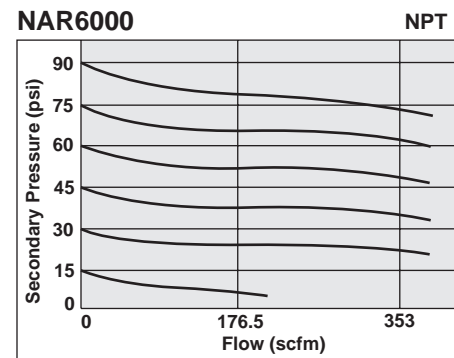
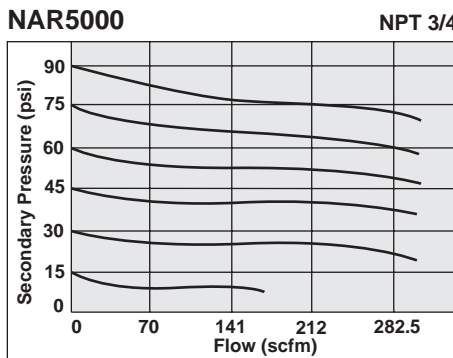
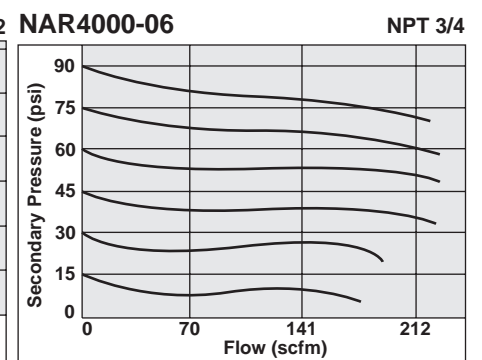
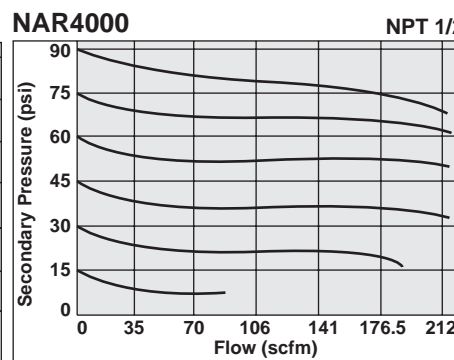
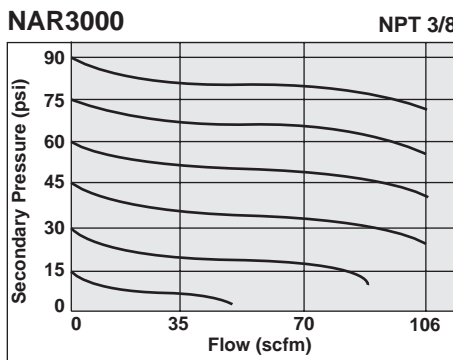
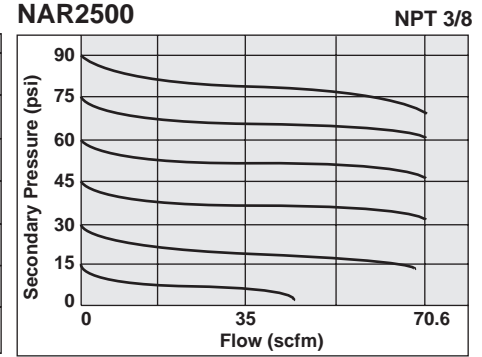
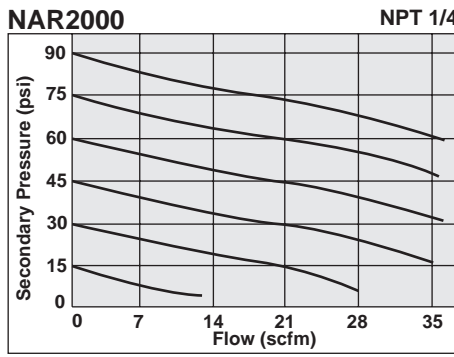
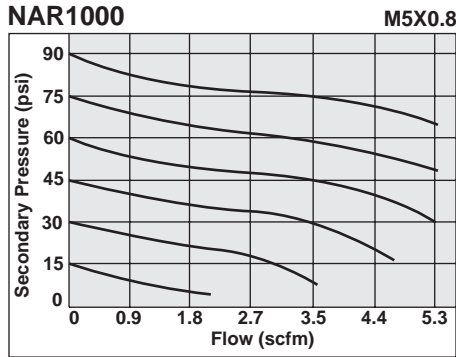
▼ Combination

□ No Combination

Accessory	Suffix	1	4	N	R	Part Number			
						NAR1000	NAR2000	NAR2500	NAR3000-NAR6000
3-30 psig (0.02-0.2 MPa)	1	▼	▼	▼	▼	▼	▼	▼	▼
3-60 psig (0.02-0.4 MPa)	4	▼	▼	▼	▼	▼	▼	▼	▼
Non-relieving	N	▼	▼	▼	▼	▼	▼	▼	▼
In-Out Reversal	R	▼	▼	▼	▼	▼	▼	▼	▼

Flow Characteristics

Condition: Supply pressure—100 psig



Pressure Characteristics

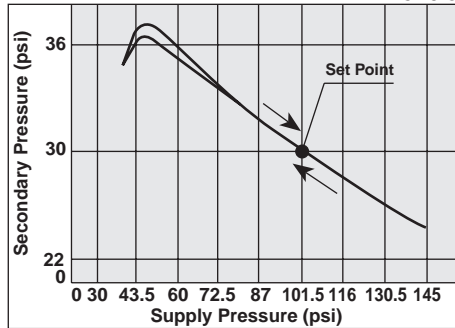
NAR 1000, 2000, 2500, 3000, 4000, 5000, 6000

Condition: Supply pressure—100 psig
Secondary pressure—30 psig, Flow rate—7 SCFM

Pressure Characteristics

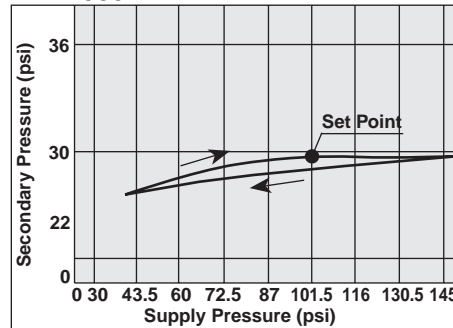
NAR1000

M5X0.8



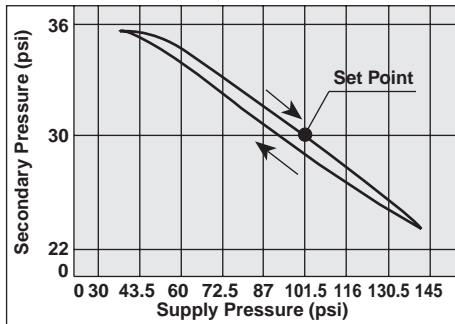
NAR4000

NPT 1/2



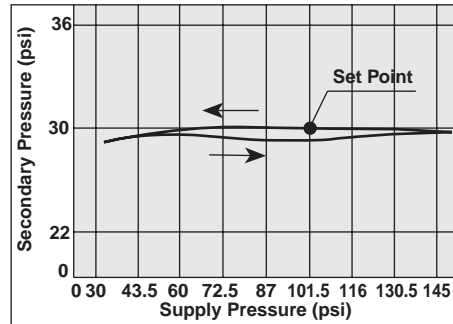
NAR2000

NPT 1/4



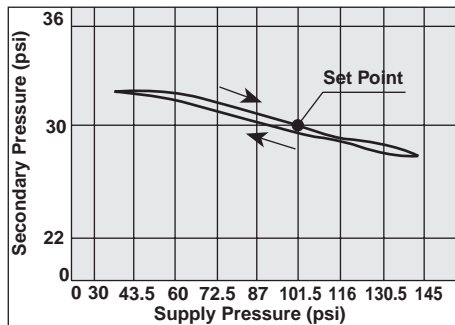
NAR4000-06

NPT 3/4



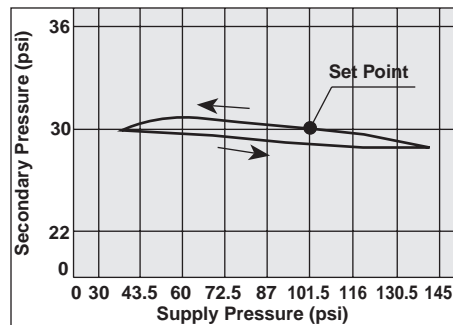
NAR2500

NPT 3/8



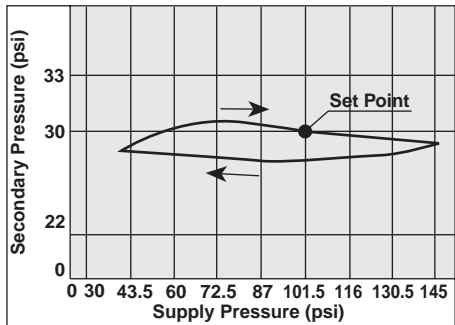
NAR5000

NPT 3/4



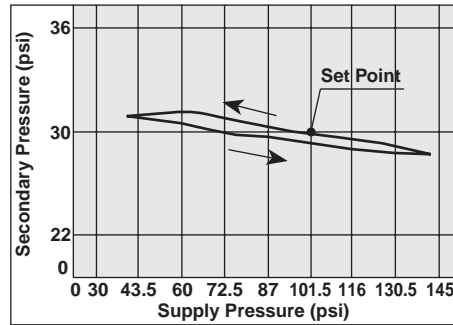
NAR3000

NPT 3/8



NAR6000

NPT 1



Precautions

Read carefully before handling. Refer to the safety instructions and precautions section for the products mentioned in this catalog.


Selection

- For NAC3030, 4030, NAC3040, 4040 with float type auto drain (N.O.), use 2.2kW {200 /min (ANR)} or larger compressor. Because two auto drains are used and 200 /min air is needed, it might cause a malfunction with a compressor weaker than the required ability.

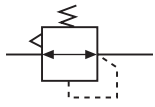
Installation

- Flush piping before installation.
- Use of piping adapters will ease installation.
- The regulator may be installed with the adjustment knob up or down. If using the pressure switch (IS1000M) and/or the T-type spacer, the regulator knob must face down.
- The NAKM check valve is designed to be used between the regulator and the lubricator when it is necessary to prevent the possibility of lubricant flowing back into a non-lubricated secondary supply line.
- When mounting residual pressure release 3-port valve upstream of a lubricator, use check valve (series NAKM) to prevent reverse flow of oil.
- Pressure switch and T-type interface cannot be mounted to OUT side of residual pressure release 3-port valve.

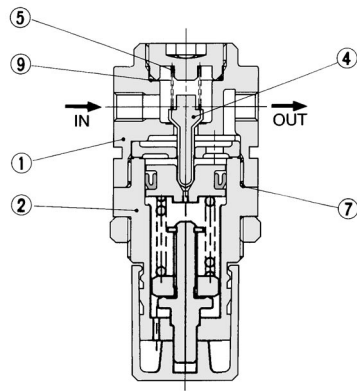
Piping

Warning: When mounting check valve, make sure of the position of  mark which indicates air flow direction.

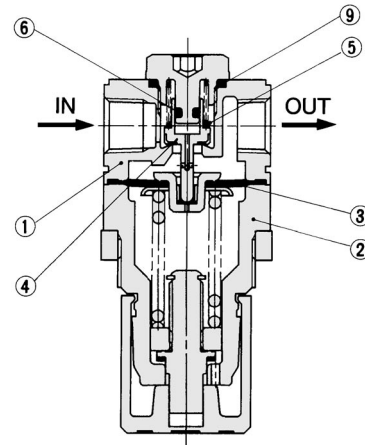
ANSI
Symbol



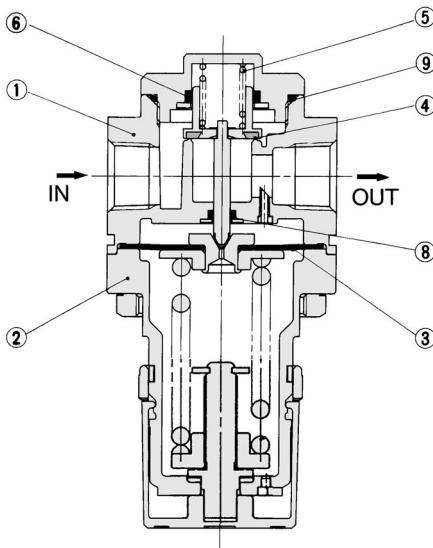
NAR1000



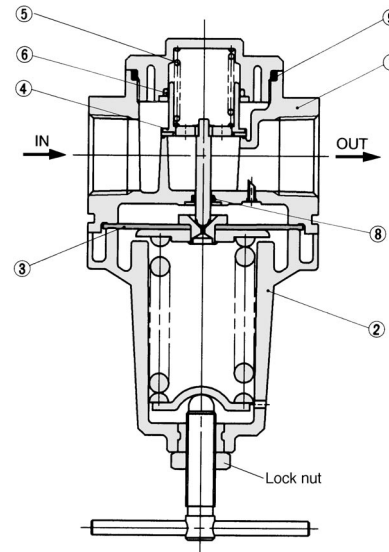
NAR2000



NAR2500•3000•4000•5000



NAR6000



Main Parts

No.	Name	Material			Note
		NAR1000• 2000	NAR2500• 3000	NAR4000~6000	
①	Body	Zinc die casting	Aluminum die casting		Platinum silver painting
②	Bonnet	Polyacetal		Zinc die casting	Black painting

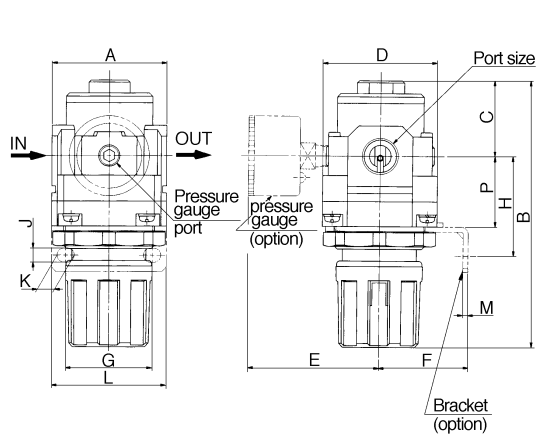
Component Parts/Packing List

No.	Parts Name	Material	Part No.							
			NAR1000	NAR2000	NAR2500	NAR3000	NAR4000	NAR4000-N06	NAR5000	NAR6000
③	Diaphragm ass'y	NBR	—	131445A	1349161A	131515A	131614A	131614A	131614A	131815A
④	Valve ass'y	Brass•NBR	134819-30	1349160-30	13144A	13154A	13164A	1316102A	131750A	13184A
⑤	Valve spring	stainless steel	134824	1349158	13143	131558	131613	131613	13174	131810
⑥	Valve O-ring	NBR	—	1349247	P11	P14	131643	131643	131710	131811
⑦	Piston mini Y packing	NBR	MYN-10A	—	—	—	—	—	—	—
⑧	O-ring	NBR	—	—	P3	P5	P5	P5	P5	P6
⑨	O-ring	NBR	131336	P14	P22	131545	131647	131647	G50	G55

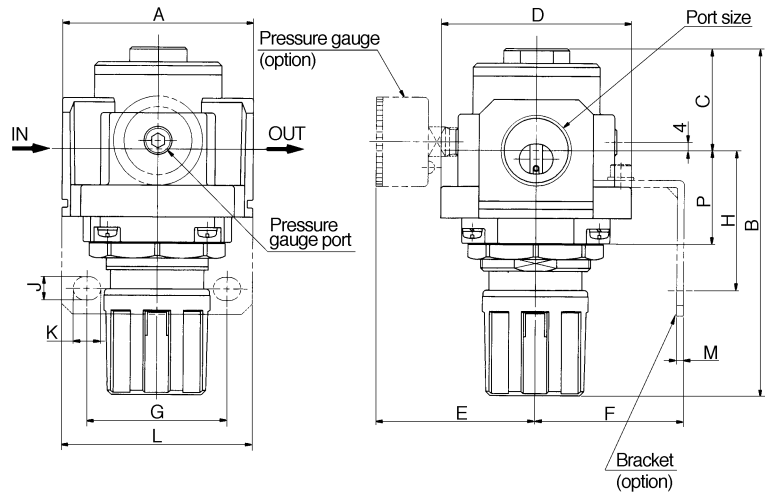
Dimensions

NAR 1000, 2000, 2500, 3000, 4000, 5000, 6000

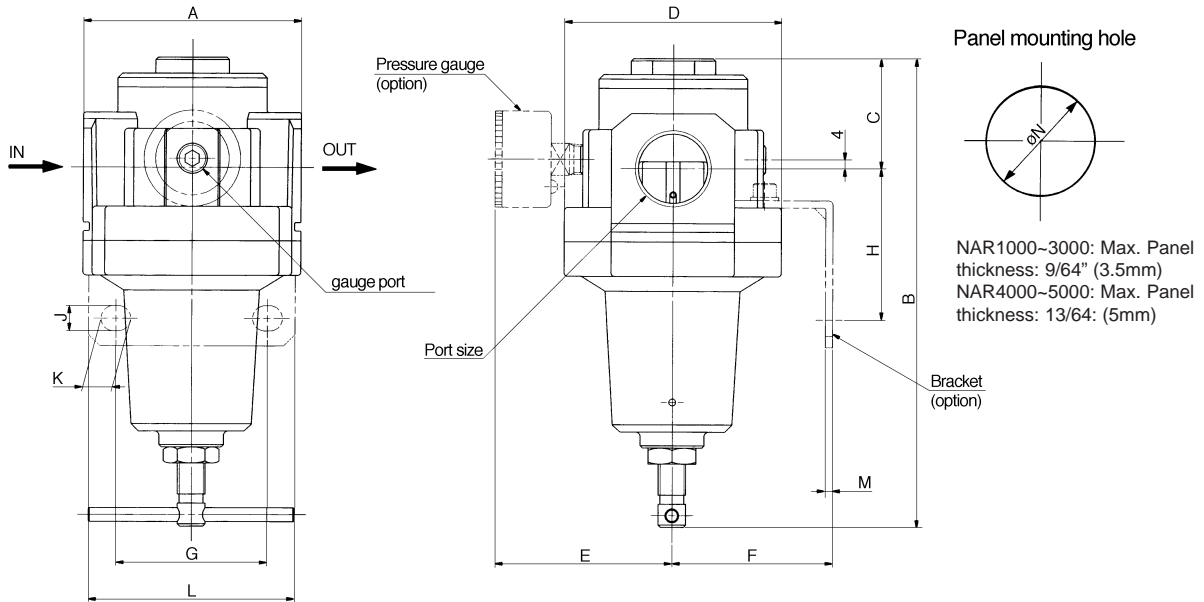
NAR1000-4000



NAR5000



NAR6000



Model	Port Size	A	B	C	D	E	With Bracket							N	P
							F	G	H	J	K	L	M		
NAR1000	10-32 Nom. (M5)	.98 (25)	2.42 (61.5)	.43 (11)	.98 (25)	1.02 (26)	.98 (25)	1.10 (28)	1.18 (30)	.18 (4.5)	.26 (6.5)	1.57 (40)	0.8 (2)	.81 (20.5)	.75 (19)
NAR2000	1/8 • 1/4	1.57 (40)	3.74 (95)	.67 (17)	1.57 (40)	2.28 (58)	1.18 (30)	1.34 (34)	1.73 (44)	.21 (5.4)	.61 (15.4)	2.17 (55)	.09 (2.3)	1.32 (33.5)	.98 (25)
NAR2500	1/4 • 3/8	2.09 (53)	4.04 (102.5)	.98 (25)	1.89 (48)	2.44 (62)	1.18 (30)	1.34 (34)	1.73 (44)	.21 (5.4)	.61 (15.4)	2.17 (55)	.09 (2.3)	1.32 (33.5)	.98 (25)
NAR3000	1/4 • 3/8	2.09 (53)	5.02 (127.5)	1.38 (35)	2.09 (53)	2.44 (62)	1.61 (41)	1.57 (40)	1.81 (46)	.26 (6.5)	.31 (8)	2.09 (53)	.09 (2.3)	1.67 (42.5)	1.28 (32.5)
NAR4000	1/4 • 3/8 • 1/2	2.76 (70)	5.89 (149.5)	1.48 (37.5)	2.76 (70)	2.76 (70)	1.97 (50)	2.13 (54)	2.13 (54)	.33 (8.5)	.41 (10.5)	2.76 (70)	.09 (2.3)	2.07 (52.5)	1.42 (36)
NAR4000-N06	3/4	2.95 (75)	6.08 (154.5)	1.59 (40.5)	2.76 (70)	2.91 (74)	1.97 (50)	2.13 (54)	2.20 (56)	.33 (8.5)	.41 (10.5)	2.76 (70)	.09 (2.3)	2.07 (52.5)	1.50 (38)
NAR5000	3/4 • 1	3.54 (90)	6.61 (168)	1.89 (48)	3.54 (90)	3.15 (80)	2.76 (70)	2.60 (66)	2.59 (65.8)	.43 (11)	.51 (13)	3.54 (90)	.13 (3.2)	2.07 (52.5)	1.73 (44)
NAR6000	1	3.74 (95)	8.05 (204.5)	1.89 (48)	3.74 (95)	3.25 (82.5)	2.76 (70)	2.60 (66.6)	2.59 (65.8)	.43 (11)	.51 (13)	3.54 (90)	.13 (3.2)	—	—

Tamper Proof Regulator

- Secondary pressure is preset and cannot be changed or secondary pressure can be set/adjusted in the field with a special tool.

AR 2000 — 02BG — R — X33US .45 — .70

Regulator Family

Family	Description
AC	Air Combination
AP	Pressure Relief Valve
AR	Regulator
ARB	Interface Regulator
ARBF	Interface Regulator
ARP	Precision Regulator
ARX	2 MPa Regulator
AW	Filter Regulator
AWD	Micro Mist Separator Regulator
AWM	Mist Separator Regulator
SR	Stainless Steel Regulator

Set Pressure

Port Thread		Applicable Model	Tolerance +/- MPa (psi)
*RC(PT), G(PF)	**NPT		
***NIL	***NIL	All models listed below	-
.05 ~ .70	7 ~ 100	AP	0.02 (3)
see note 2	see note 2	ARB	-
see note 2	see note 2	ARBF	-
.01 ~ .30	1 ~ 40	ARP	0.003 (.5)
.05 ~ .70	7 ~ 100	AR111	0.007 (1)
.02 ~ .85	3 ~ 120	AC2000-5500 AR2000-5000. AW/AWD/AWM2000-4000	0.01 (1.5)
.02 ~ .70	3 ~ 100	AC/AR/AW1000	0.03 (3.5)
.02 ~ .70	3 ~ 100	SR3000	0.007 (1)
.05 ~ .85	7 ~ 120	ARX	0.03 (4.5)

Supply Pressure

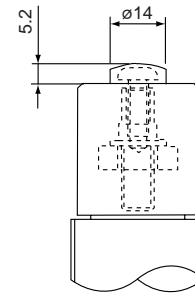
Port Thread	
*RC(PT), G(PF)	**NPT
***NIL	***NIL
see note 3	see note 3
see note 2	see note 2
see note 2	see note 2
.02 ~ .80	2 ~ 115
.06 ~ 1.0	8 ~ 150
.03 ~ 1.0	4 ~ 150
.03 ~ 1.0	4 ~ 150
.06 ~ 2.0	8 ~ 290

Same as Standard

Tamper Proof Regulator

Note:

- Dimensional changes from standard product are as shown.
- Valve/subplate interface type regulators (ARB/ARBF) cannot be preset.
- Since supply pressure equals set pressure for AP100, supply pressure indication is not required.



Adjustment tools for “—X33US” tamper proof regulator

Tool Description	Part Number
Bit, M5 spanner \with 1/4" hex shank	AR0000-00-X33US-1
Screwdriver, M5 spanner with nonremovable bit	AR0000-00-X33US-2

Retrofit kits for “—X33US” tamper proof regulator

Kit P/N	Applicable Model	Bill of Materials				
		P/N DESCRIPTION (QTY)				
KT-ARX20	ARX20	ARX20-00-X33US-1 HANDLE (1)	ARX20-00-X33US-2 ADJUST SCREW (1)	-	AR1000-00-X33US-3 TAMPER PROOF SCREW (1)	8-10B SCREW COVER (1)
KT-ARX21	ARX21	-	-	-	-	
KT-AR1000-X33US	AC/AR/AW/1000	AR1000-00-X33US-1 HANDLE (1)	AR1000-00-X33US-2 ADJUST SCREW (1)	131311 ADJUST NUT (1)	-	-
KT-AR2000-X33US	AC/AR/AW/AWD/AWM2000-2500	AR2000-00-X33US-1 HANDLE (1)	AR2000-00-X33US-2 ADJUST SCREW (1)	1349169 ADJUST NUT (1)	M5X0.8X12L TAMPER PROOF SCREW (1)	-
KT-AR3000-X33US	AC/AR/AW/AWD/AWM3000	AR3000-00-X33US-1 HANDLE (1)	AR3000-00-X33US-2 ADJUST SCREW (1)	131549 ADJUST NUT (1)	-	-
KT-AR4000-X33US	AC4000-5500 AR4000-5000 AW/AWD/AWM4000	AR4000-00-X33US-1 HANDLE (1)	AR4000-00-X33US-2 ADJUST SCREW (1)	131610 ADJUST NUT (1)	-	-
KT-ARP3000-X33US	ARP3000	ARP3000-00-X33US-1 HANDLE A (1)	ARP3000-00-X33US-2 ADJUST SCREW (1)	ARP3000-00-X33US-3 HANDLE B (1)	-	-
KT-ARBF3050-X33US	ARBF3050	ARBF3050-00-0-0-X33US-1 SCREW COVER SPACER (1)	ARBF3050-00-0-0-X33US-2 ADJUST SCREW (1)	-	-	-
KT-ARB110-1-X33US	ARB110-*1	-	-	-	-	-
KT-ARB110-2-X33US	ARB110-*2	ARBF3050-00-0-0-X33US-1 SCREW COVER SPACER (2)	ARBF3050-00-0-0-X33US-2 ADJUST SCREW (2)	-	M5X0.8X12L TAMPER PROOF SCREW (2)	8-10B SCREW COVER (2)
KT-AP100-X33US	AP100	AP100-00-X33US-1 SCREW COVER SPACER (1)	AP100-00-X33US-2 HANDLE RETAINING WASHER (1)	-	M5X0.8X12L TAMPER PROOF SCREW (1)	8-10B SCREW COVER (1)
KT-AR111-X33US	AR111	-	-	-	-	-
KT-SR3000-X33US	SR3000	-	-	-	-	-

Restricted Regulator

- Restricted secondary pressure range (ex. 35psi maximum output regardless of input).

AR 2000 — 02BG — R — X34US .45

Regulator Family

Family	Description
AC	Air Combination
AP	Pressure Control Valve
AR	Regulator
ARP	Precision Regulator
AW	Filter Regulator
AWD	Micro Mist Separator Regulator
AWM	Mist Separator Regulator

Pressure Setting

Port Thread		Applicable Model
RC(PT), G(PF)	NPT	
.01 ~ .30	1 ~ 40	ARP
.02 ~ .70	3 ~ 100	AR111
.02 ~ .85	3 ~ 120	AC,AR,AW,AWD,AWM
.05 ~ .70	7 ~ 100	AP

Same as Standard

Tamper Proof Regulator

Note: No Dimensional changes from standard product.