

Speed Controller with Indicator

In-line Type

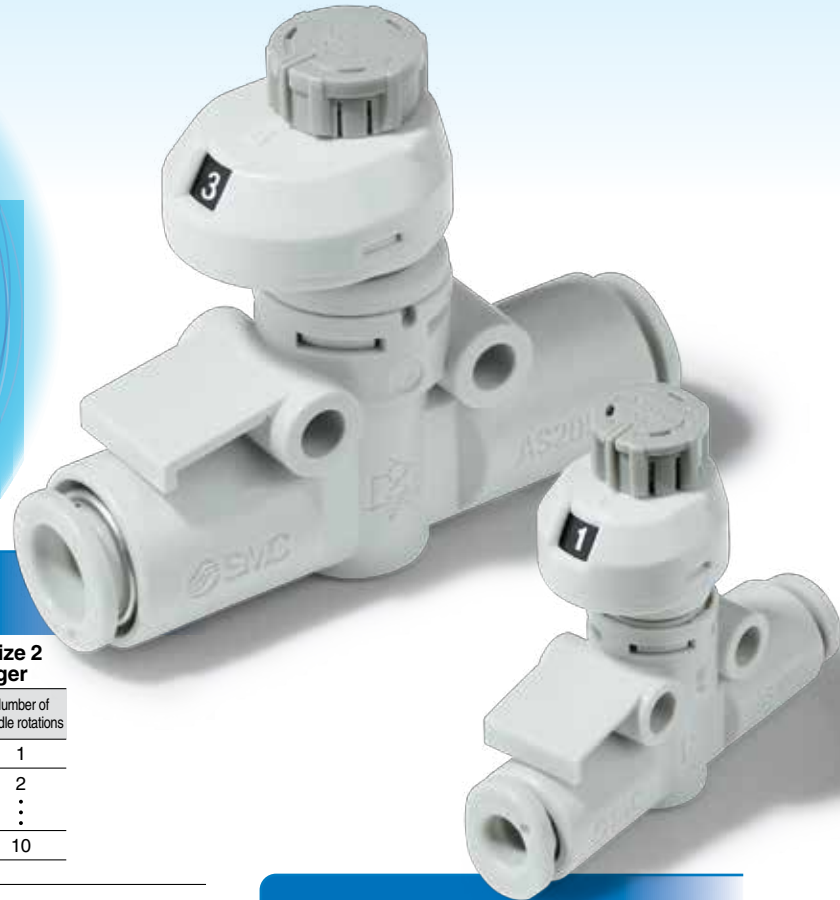
RoHS

New

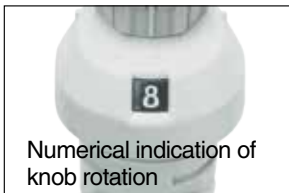


Numerical indication of knob rotation for flow rate

reduces flow setting time and setting errors!

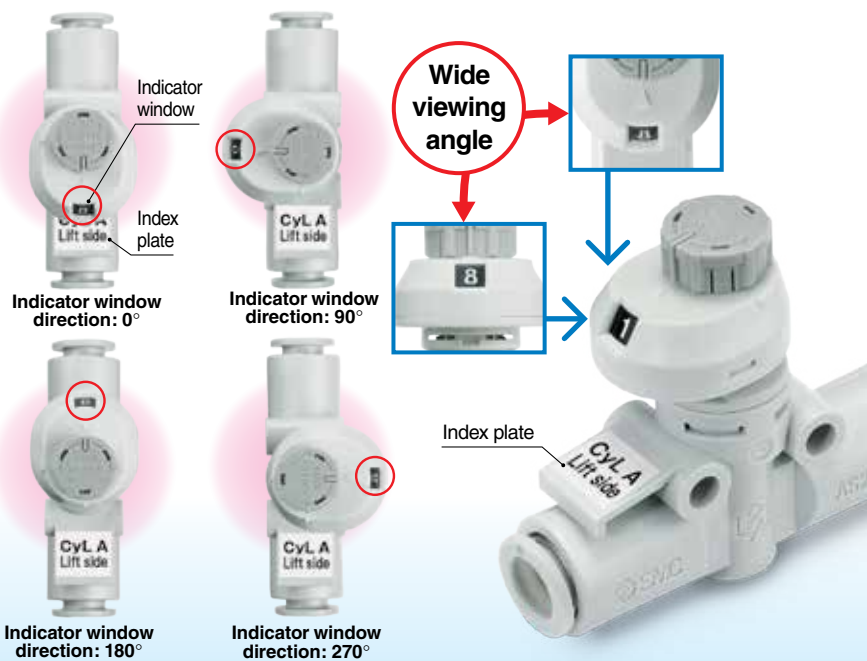


Flow rate can be controlled numerically with the indicator window.



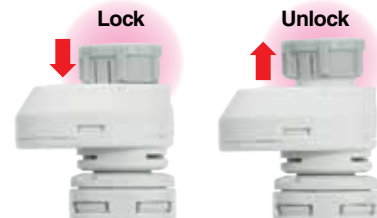
Body size 1		Body size 2 or larger	
Indicator window	Number of needle rotations	Indicator window	Number of needle rotations
1	1	1	1
2	2	2	2
⋮	⋮	⋮	⋮
8	8	10	10

4 Indicator Window Directions Available



Larger Push-Lock Type Knob

Easy to lock



Easy to operate with the larger knob and marking every 90° mark

Body size	øD [mm]
1	9.4
2	12 (Port size 1/8) 13 (Port size 1/4)
3	16.6
4	18.8

AS-FS Series

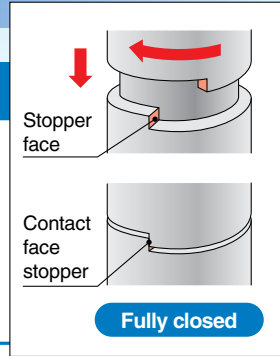
SMC
CAT.NAS20-244A

Flow Rate Reproducibility



Improved reproducibility of flow rate

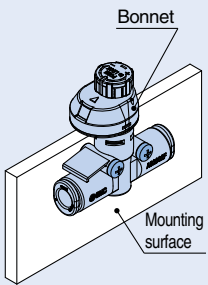
Stable knob position when fully closed (no flow rate) onto the contact face stopper (rotating stopper). Small variations in flow rate depending on the number of knob rotations



Mounting Variations

Direct mounting

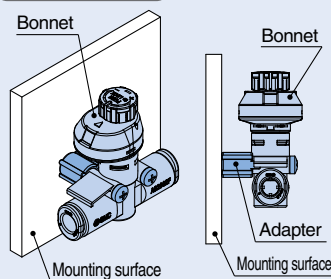
If the mounting surface does not interfere with the bonnet:



If the mounting surface interferes with the bonnet:

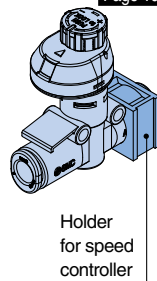
Adapter needed.

Page 7



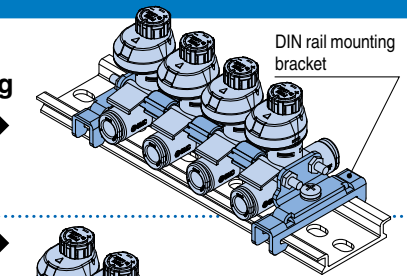
Holder mounting

Page 10

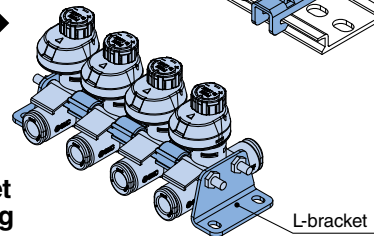


DIN rail mounting

Page 7



Page 7



L-bracket mounting

Easy Identification of Product Type

By index plate



Index plate

(Example with identification label attached)

It is possible to identify the product when multiple controllers are mounted and identify the flow direction by attaching an identification label.

By color






Model	Release button color	
	Metric	Inch
AS-FS Page 3	Light gray	Orange
AS-FSG Page 8	White	White



⊙ Electroless nickel plating type is standardized.

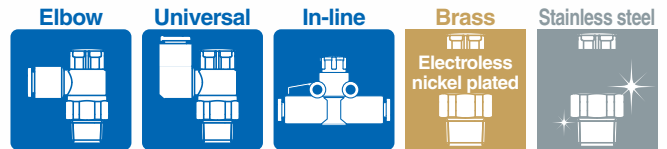
⊙ Stainless steel type is standardized.

Series Variations

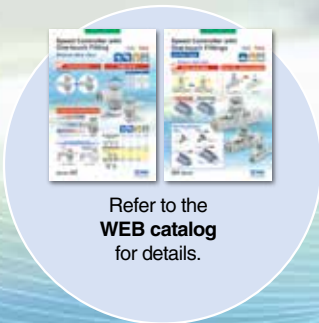
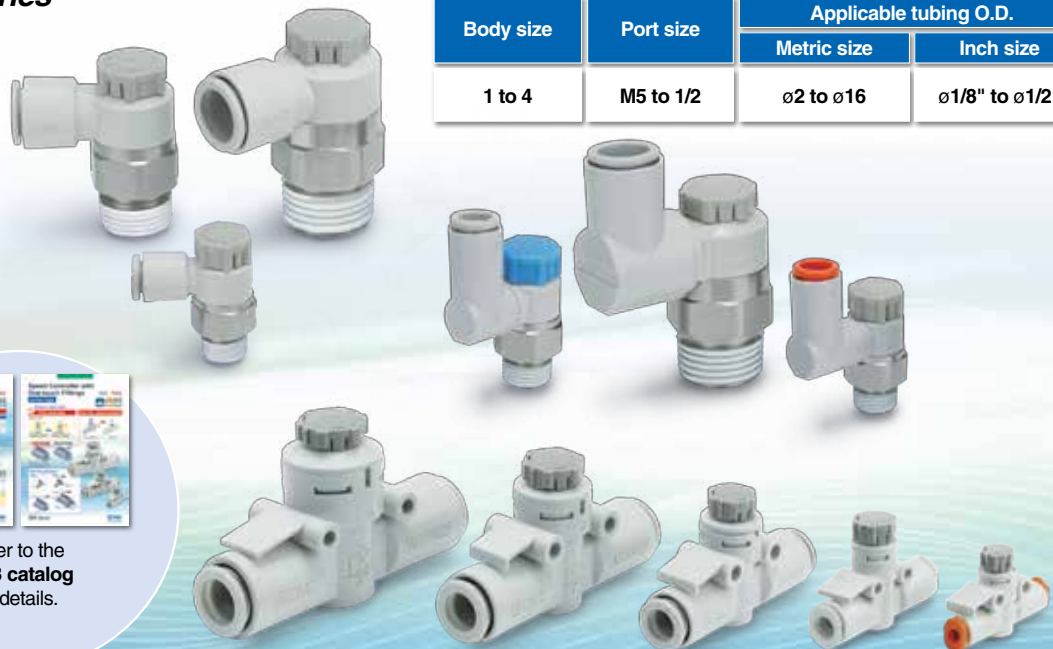
	Model	Applicable tubing O.D.										Metal parts material	Applicable tubing material			
		Metric size					Inch size									
		3.2	4	6	8	10	12	1/8"	5/32"	1/4"	5/16"			3/8"	1/2"	
	AS1002FS□	●	●	●				●	●	●					· Brass · Stainless steel	Nylon (T, TIA series) Soft nylon (TS, TISA series) Polyurethane (T, TIUB series) Fluoropolymer (TLM, TILM series) (TH, TIH series)
	AS2002FS□		●	●						●	●					
	AS2052FS□			●	●					●	●					
	AS3002FS□			●	●	●	●			●	●	●				
	AS4002FS□					●	●					●	●			

Push-Lock Series Variations

Speed Controller with One-touch Fitting
AS Series



Body size	Port size	Applicable tubing O.D.	
		Metric size	Inch size
1 to 4	M5 to 1/2	ø2 to ø16	ø1/8" to ø1/2"



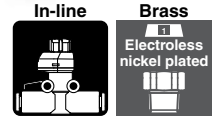
Refer to the WEB catalog for details.

Speed Controller with Indicator In-line Type

AS-FS Series



RoHS



Model

Model	Applicable tubing O.D.												
	Metric size						Inch size						
	3.2	4	6	8	10	12	1/8"	5/32"	1/4"	5/16"	3/8"	1/2"	
AS1002FS□	●	●	●				●	●	●				
AS2002FS□		●	●				●	●					
AS2052FS□			●	●					●	●			
AS3002FS□			●	●	●	●			●	●	●		
AS4002FS□					●	●					●	●	

Specifications

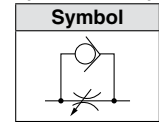
Fluid	Air
Proof pressure	218psi [1.5 MPa]
Max. operating pressure	145 psi [1 MPa]
Min. operating pressure	14.5 psi [0.1 MPa]
Ambient and fluid temperature	23 to 140°F [-5 to 60°C] (No freezing)
Applicable tubing material	Nylon, Soft nylon, Polyurethane ^{*1} , FEP, PFA

*1: Use caution at the max. operating pressure when using soft nylon or polyurethane tubing. (Refer to the **WEB catalog** for details.)

Flow Rate and Sonic Conductance

Model	AS1002FS□	AS2002FS□	AS2052FS□	AS3002FS□	AS4002FS□									
Tubing O.D.	Metric size	ø3.2	ø4	ø6	ø4	ø6	ø6	ø8	ø6	ø8	ø10	ø12	ø10	ø12
	Inch size	ø1/8"	ø5/32"	ø1/4"	ø5/32"	ø1/4"	ø1/4"	ø5/16"	ø1/4"	ø5/16"	ø3/8"	—	ø3/8"	ø1/2"
C values: Sonic conductance dm ³ /(s·bar)	Free flow	0.3	0.4	0.6	0.4	0.6	1.0	1.2	1.1	1.6	2.2	2.6	2.4	3.5
	Controlled flow	0.3			0.4	0.6	1.0	1.2	1.3	1.9	2.7	3.3	2.8	4.1
b values: Critical pressure ratio	Free flow	0.3	0.2		0.3	0.1	0.2		0.2			0.3	0.2	
	Controlled flow	0.2	0.3	0.4	0.2		0.2	0.3	0.1		0.2	0.1	0.2	

Flow Direction Symbol on Body



*: C and b values are for controlled flow with the needle fully open and free flow with the needle fully closed.
*: The same specifications also apply to the AS-FSG series (stainless steel type).

How to Order

AS 200 2 F S 1 - 06

Body size

100	M5 standard
200	1/8 standard
205	1/4 standard
300	3/8 standard
400	1/2 standard

With One-touch fittings

With indicator

Indicator window direction

Nil	0°	
1	180°	
2	90°	
3	270°	

Applicable tubing O.D.*1

Metric size	Inch size
23	ø3.2 ^{*2}
04	ø4
06	ø6
08	ø8
10	ø10
12	ø12
01	ø1/8"
03	ø5/32"
07	ø1/4"
09	ø5/16"
11	ø3/8"
13	ø1/2"

*1: For selecting applicable tubing O.D., refer to the "Model" shown above.

*2: Use ø1/8" tubing.

Caution

Be sure to read this before handling the products.
Refer to the back cover for Safety Instructions.
For Flow Control Equipment Precautions, refer to the "Handling Precautions for SMC Products" and "Operation Manual" on the SMC website, <http://www.smcworld.com>

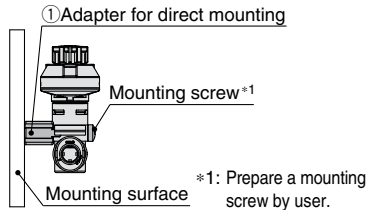
Options

① Adapter for Direct Mounting

*: For use when the mounting surface interferes with the bonnet.

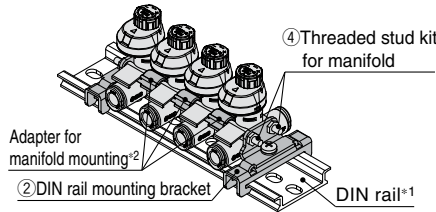
Part no.	Applicable model
AS-10A1	AS1002FS□
AS-20A1	AS2002FS□
AS-25A1	AS2052FS□
AS-30A1	AS3002FS□

*: The AS4002FS□ can be mounted without the adapter.



② DIN Rail Mounting Bracket

Part no.	Applicable model	Quantity
AS-10D	AS1002FS□	2
AS-20D	AS2002FS□	
AS-25D	AS2052FS□	
AS-30D	AS3002FS□	
AS-40D	AS4002FS□	

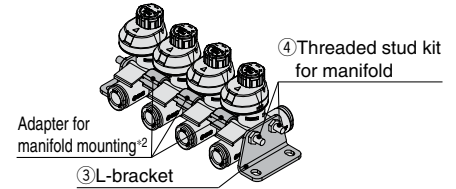


*1: Prepare DIN rail by user.

*2: It is included in the threaded stud kit for manifold (excluding the AS4002FS□). Refer to the following details of the kit.

③ L-Bracket

Part no.	Applicable model	Quantity
AS-10L	AS1002FS□	2
AS-20L	AS2002FS□	
AS-25L	AS2052FS□	
AS-30L	AS3002FS□	
AS-40L	AS4002FS□	



④ Threaded Stud Kit for Manifold

Part number				Applicable model	
4 stations	6 stations	8 stations	10 stations	Metric size	Inch size
AS-1AB	AS-3AB	AS-5AB	AS-7AB	AS1002FS□-23	AS1002FS□-01
				AS1002FS□-04	AS1002FS□-03
				AS1002FS□-06	—
AS-2AB	AS-4AB	AS-6AB	AS-8AB	—	AS1002FS□-07
AS-9AB	AS-10AB	AS-11AB	AS-12AB	AS2002FS□-04	AS2002FS□-03
				AS2002FS□-06	—
				—	AS2002FS□-07
AS-13AB	AS-14AB	AS-15AB	AS-16AB	AS2052FS□-06	—
				—	AS2052FS□-07
				AS2052FS□-08	AS2052FS□-09
AS-17AB	AS-18AB	AS-20AB	AS-21AB	AS3002FS□-06	—
				—	AS3002FS□-07
				AS3002FS□-08	AS3002FS□-09
	AS3002FS□-10			—	
	—			AS3002FS□-11	
AS-43B	AS-45B	AS-47B	AS-48B	AS3002FS□-12	—
				AS4002FS□-10	—
				—	AS4002FS□-11
				AS4002FS□-12	—
—	—	—	—	AS4002FS□-13	

Details of Threaded Stud Kit for Manifold

Part no.	Adapter for manifold mounting		Threaded stud		Accessories			
	Part no.	Quantity	Length	Quantity	Hexagon nut	Flat washer	Quantity	
AS-1AB	AS-10A	3	72	2	M3	4	M3	4
AS-2AB			90	2				
AS-3AB			104	2				
AS-4AB		5	114	2				
AS-5AB			135	2				
AS-6AB			143	2				
AS-7AB		7	167	2				
AS-8AB			170	2				
AS-9AB			90	2				
AS-10AB	AS-20A	5	135	2	M4	4	M4	4
AS-11AB			167	2				
AS-12AB			208	2				
AS-13AB	AS-25A	3	111	2				
AS-14AB			147	2				
AS-15AB			191	2				
AS-16AB	AS-30A	7	236	2				
AS-17AB			111	2				
AS-18AB			158	2				
AS-19AB	AS-30A	5	179	2				
AS-20AB			236	2				
AS-21AB			258	2				
AS-22AB			277	2				
AS-43B	—	—	119	2				
AS-45B			179	2				
AS-46B			191	2				
AS-47B			236	2				

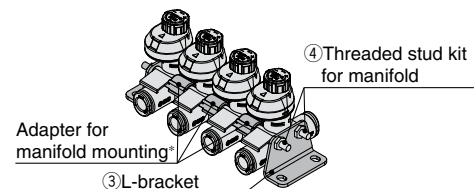
Ordering Example

Threaded studs for manifold are not included when L-bracket and DIN rail mounting bracket are ordered. Please order them according to the number of stations.

Ex.) AS2002FS-06

When connecting 4 pcs. and mounting L-brackets on both sides

- Speed controller **AS2002FS-06** …… 4 pcs.
- L-bracket **AS-20L** …………… 2 pcs.
- Threaded stud kit for manifold **AS-9AB** …………… 1 set
(Adapter for manifold mounting is included.)



*: It is included in the threaded stud kit for manifold (excluding the AS4002FS□). Refer to the details of the kit shown on the left.

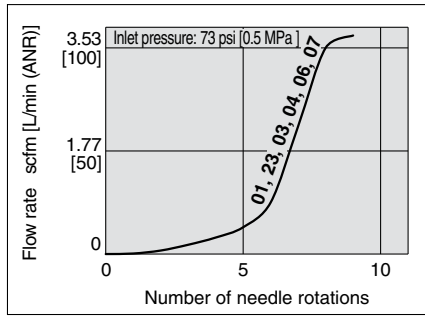
*: AS4002FS□ type can be mounted with the threaded stud kit only (Adapter for manifold mounting is not required).

AS-FS Series

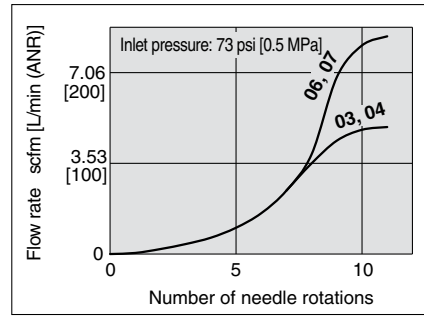
Needle Valve/Flow Rate Characteristics

*: The flow rate characteristics are representative values.

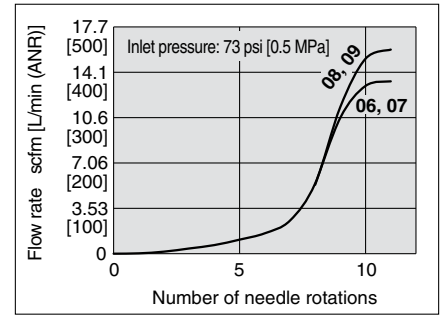
AS1002F-□A



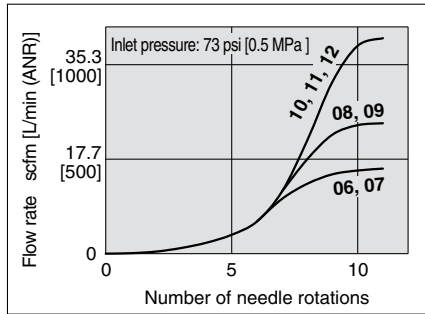
AS2002F-□A



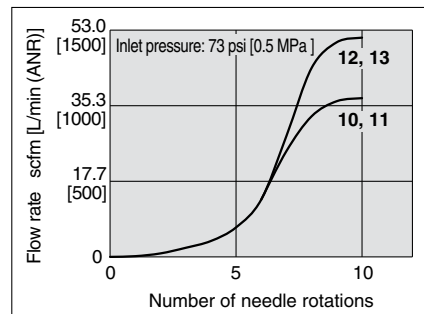
AS2052F-□A



AS3002F-□A

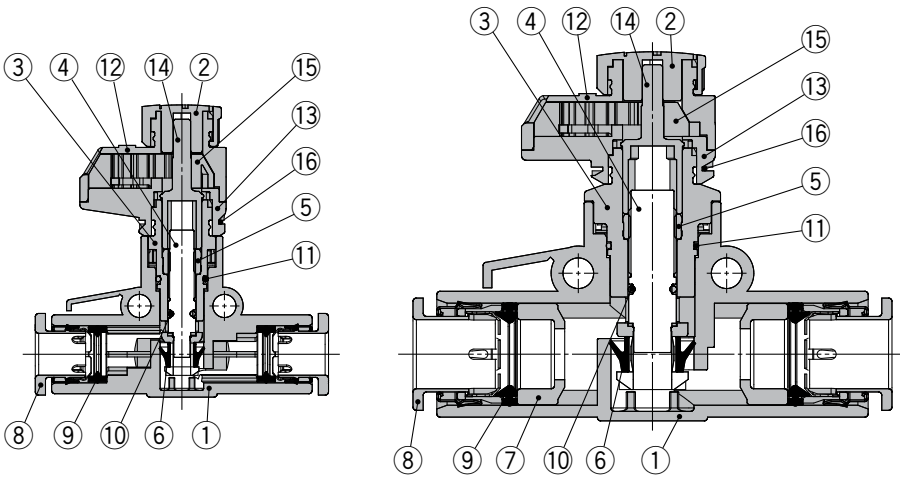


AS4002F-□A



*: The numbers above the flow rate characteristic curves in the charts show the applicable tubing outside diameter as defined by the product number.

Construction

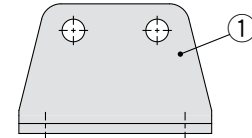


Component Parts

No.	Description	Material	Note
1	Body A	PBT	
2	Knob	POM	
3	Body B	PBT	
4	Needle	PBT	
5	Needle guide	Brass	Electroless nickel plating
6	U-seal	HNBR	
7	Spacer	PBT*1	
8	Cassette	—	
9	Seal	NBR	
10	O-ring	NBR	
11	O-ring	NBR	
12	Bonnet A	POM	
13	Bonnet B	POM	
14	Gear	PPS	
15	Indicator gear	POM	
16	Clip	Stainless steel	

*1: The AS3002FS□-11, AS4002FS□-11, AS4002FS□-13 are made of electroless nickel plated brass.

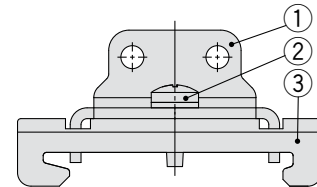
L-Bracket



Component Parts

No.	Description	Material
1	Bracket	Steel strip

DIN Rail Mounting Bracket

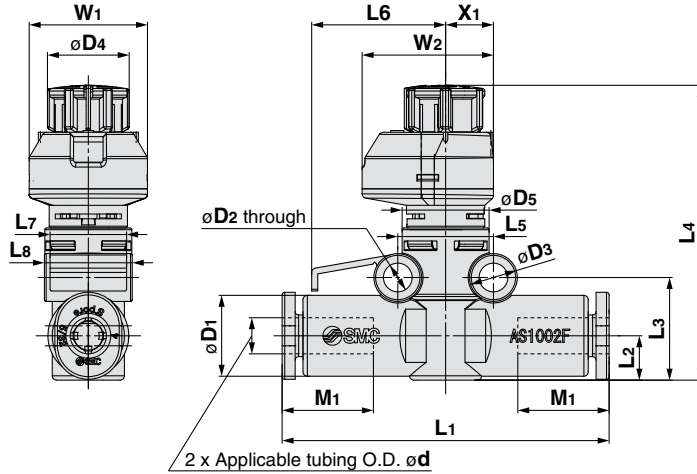


Component Parts

No.	Description	Material
1	Bracket	Steel strip
2	Cross recessed round head screw	Steel wire
3	Clasp	Steel strip

Dimensions

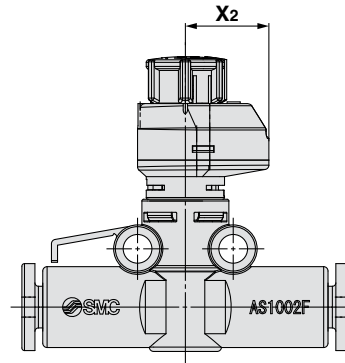
Indicator window direction: 0°



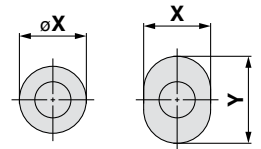
Front view

Right side view

Indicator window direction: 180°



Release button dimensions



Applicable tubing O.D.: ø3.2, ø4, ø6, ø1/8", ø5/32"

Metric Size

Model	Applicable tubing O.D. ød	D1	Release button dimensions		D2	D3	D4	D5	L1	L2	L3	L4*1		L5	L6	L7	L8	M1	W1	W2	X1	X2	Weight [g]		
			øX (X)	Y								Max.	Min.												
AS1002FS□-23	3.2	8.4	6.7	9.5	3.3	5.5	9.4	10.0	36.6	5.1	11.8	36.4	33.9	11.0	15.4	8.8	10.1	13.5	13.6	15.1	5.5	9.6	5.2		
AS1002FS□-04	4	9.3	7.7	10.0					37.6			37.6	12.3				5.5								
AS1002FS□-06	6	11.6	9.7	12.0					40.1			6.1	12.8				37.4						34.9	12.3	6.6
AS2002FS□-04	4	9.3	7.7	10.0	3.3	5.5	12.0	12.0	41.3	6.3	13.4	44.5	43.0	12.6	17.0	10.5	12.3	13.5	20.0	21.5	6.5	15.0	9.5		
AS2002FS□-06	6	11.6	9.7	12.0					43.1			6.3	13.4				44.5						43.0	12.3	10.4
AS2052FS□-06	6	12.8	11.5	—					54.2			7.6	17.2				49.0						47.6	17.0	16.0
AS2052FS□-08	8	15.2	13.5	—	57.2	8.5	18.1	49.9	48.5	17.0	22.5	12.0	16.1	17.0	21.5	24.0	7.8	16.2	18.4						
AS3002FS□-06	6	13.2	11.5	—	4.3	8.0	16.6	20.0	60.0	9.8	21.7	55.7	54.3	22.0	25.0	12.0	17.0	24.5	28.5	9.3	19.2	23.8			
AS3002FS□-08	8	15.2	13.5	—					65.0								19.0					26.0	26.0		
AS3002FS□-10	10	18.5	16.5	—					70.4								21.0					28.0	28.0		
AS3002FS□-12	12	20.9	18.5	—	76.0	10.9	22.8	56.8	55.4	22.1	22.0	34.2													
AS4002FS□-10	10	18.5	16.5	—	4.3	8.0	18.8	26.0	76.9	11.3	23.7	64.3	62.7	28.0	33.0	14.0	21.0	26.0	29.0	10.0	19.0	42.5			
AS4002FS□-12	12	21.7	18.5	—					81.3								22.0					28.0	28.0		

*1: Reference dimensions

Inch Size

Model	Applicable tubing O.D. ød	D1	Release button dimensions		D2	D3	D4	D5	L1	L2	L3	L4*1		L5	L6	L7	L8	M1	W1	W2	X1	X2	Weight [g]		
			øX (X)	Y								Max.	Min.												
AS1002FS□-01	1/8"	8.4	6.7	9.5	3.3	5.5	9.4	10.0	36.6	5.1	11.8	36.4	33.9	11.0	15.4	8.8	10.1	13.5	13.6	15.1	5.5	9.6	5.2		
AS1002FS□-03	5/32"	9.3	7.7	10.0					37.6			37.6	12.3				5.5								
AS1002FS□-07	1/4"	12	10.9	—					40.1			6.2	12.9				37.5						35.0	12.8	6.7
AS2002FS□-03	5/32"	9.3	7.7	10.0	3.3	5.5	12.0	12.0	41.3	6.3	13.4	44.5	43.0	12.6	17.0	10.5	12.3	13.5	20.0	21.5	6.5	15.0	9.5		
AS2002FS□-07	1/4"	12	10.9	—					43.2			6.5	13.6				44.7						43.2	12.8	10.6
AS2052FS□-07	1/4"	13.2	12.0	—					53.4			7.6	17.2				49.0						47.6	17.0	16.4
AS2052FS□-09	5/16"	15.2	13.5	—	57.2	8.5	18.1	49.9	48.5	17.0	22.5	12.0	16.1	17.0	21.5	24.0	7.8	16.2	18.4						
AS3002FS□-07	1/4"	13.2	12.0	—	4.3	8.0	16.6	20.0	59.0	9.8	21.7	55.7	54.3	22.0	25.0	12.0	17.0	24.5	28.5	9.3	19.2	23.6			
AS3002FS□-09	5/16"	15.2	13.5	—					65.0								19.0					26.0	26.0		
AS3002FS□-11	3/8"	18.5	16.0	—					69.8								21.0					28.0	28.0		
AS4002FS□-11	3/8"	18.5	16.0	—	4.3	8.0	18.8	26.0	76.9	11.3	23.7	64.3	62.7	28.0	33.0	14.0	21.0	26.0	29.0	10.0	19.0	50.2			
AS4002FS□-13	1/2"	21.7	20.0	—					81.3								22.0					28.0	28.0		

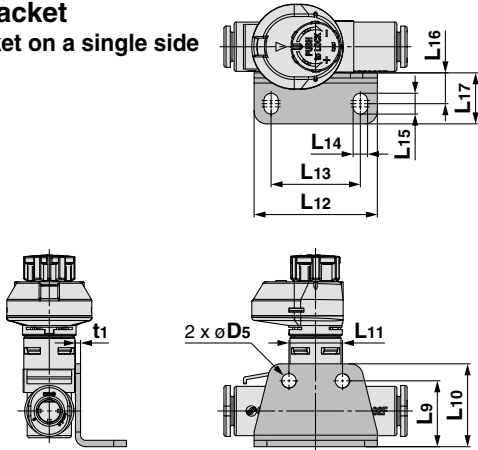
*1: Reference dimensions

AS-FS Series

Dimensions

L-Bracket

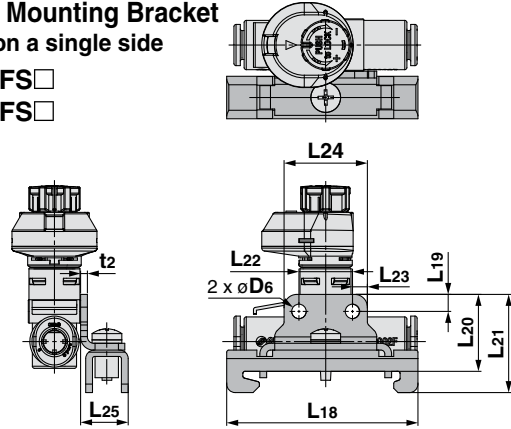
Bracket on a single side



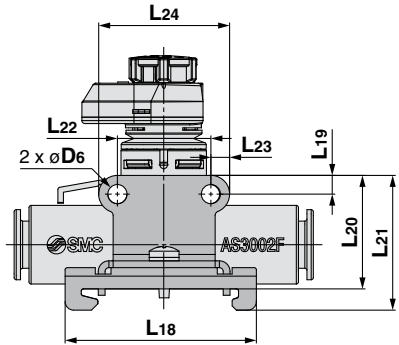
DIN Rail Mounting Bracket

Bracket on a single side

AS1002FS□
AS2002FS□



AS2052FS□
AS3002FS□
AS4002FS□

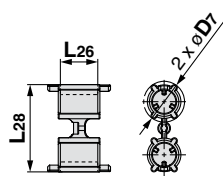


Part no.	Applicable model	D5	L9	L10	L11	L12	L13	L14	L15	L16	L17	t1
AS-10L	AS1002FS□	3.4	14.8	18.3	11	27.5	19.5	3.4	4.9	7.3	12	1
AS-20L	AS2002FS□		15.6	19.6	12.6	29	21					
AS-25L	AS2052FS□	4.5	19.6	24.6	17	38	28	4.5	6.5	9.5	15.5	1.4
AS-30L	AS3002FS□		24.8	29.8	22	43	33					
AS-40L	AS4002FS□	25.7	30.7	28	49	39						

Part no.	Applicable model	D6	L18	L19	L20	L21	L22	L23	L24	L25	t2
AS-10D	AS1002FS□	3.4		3.5	18.2	23.2	11	3.5	18		
AS-20D	AS2002FS□				18.6	23.6	12.6		19.6		
AS-25D	AS2052FS□	4.5	45	4.4	22	27	17	4.4	25.8	11.3	1.6
AS-30D	AS3002FS□				27.2	32.2	22		30.8		
AS-40D	AS4002FS□	28.1	33.1	28	36.8						

Adapter for Manifold Mounting

Part no.: AS-□□A

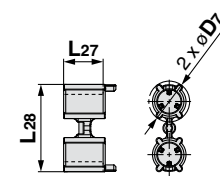


Part no.	Applicable model	D7	L26	L28
AS-10A	AS1002FS□	9.2	4	18.7
AS-20A	AS2002FS□	9.4	8.8	20.4
AS-25A	AS2052FS□	11.4	6.3	27
AS-30A	AS3002FS□	11.8	5.9	32.1

*: The AS4002FS□ can be mounted without the adapter.

Adapter for Direct Mounting

Part no.: AS-□□A1

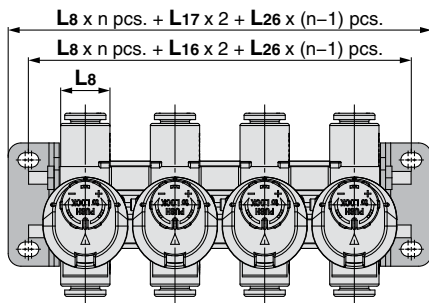


Part no.	Applicable model	D7	L27	L28
AS-10A1	AS1002FS□	9.2	4.5	18.7
AS-20A1	AS2002FS□	9.4	9.3	20.4
AS-25A1	AS2052FS□	11.4	7.1	27
AS-30A1	AS3002FS□	11.8	6.4	32.1

*: The AS4002FS□ can be mounted without the adapter.

L-Bracket

Brackets on both sides



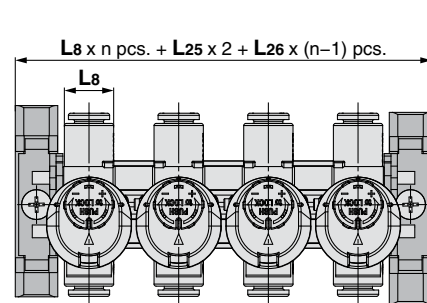
*: Refer to page 6 for L8.

*: The above figure shows the manifold with controllers connected using two L-brackets, adapters and a threaded stud kit for manifold. Refer to page 4 for threaded stud kits for manifold.

*: Cannot connect the controller when the indicator window direction is 90° or 270°.

DIN Rail Mounting Bracket

Brackets on both sides



*: Refer to page 6 for L8.

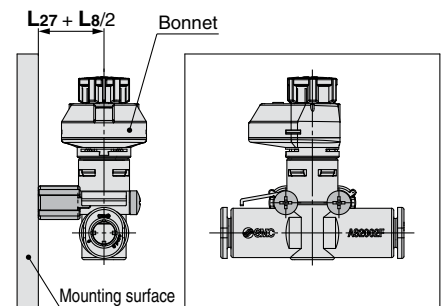
*: The above figure shows the manifold with controllers connected using two DIN rail mounting brackets, adapters and a threaded stud kit for manifold. Refer to page 4 for threaded stud kits for manifold.

*: Cannot connect the controller when the indicator window direction is 90° or 270°.

Adapter

Direct mounting

*: For use when the mounting surface interferes with the bonnet.



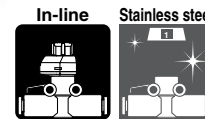
*: Refer to page 6 for L8.

*: The AS4002FS can be mounted directly without the adapter.

Speed Controller with Indicator Stainless Steel Series In-line Type **AS-FSG Series**



RoHS



Model

Model	Applicable tubing O.D.												
	Metric size						Inch size						
	3.2	4	6	8	10	12	1/8"	5/32"	1/4"	5/16"	3/8"	1/2"	
AS1002FSG	●	●	●				●	●	●				
AS2002FSG		●	●					●	●				
AS2052FSG			●	●					●	●			
AS3002FSG			●	●	●	●			●	●	●		
AS4002FSG					●	●					●	●	

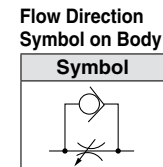
Specifications

Fluid	Air
Proof pressure	218 psi [1.5 MPa]
Max. operating pressure	145 psi [1 MPa]
Min. operating pressure	14.5 psi [0.1 MPa]
Ambient and fluid temperature	23 to 140°F [-5 to 60°C] (No freezing)
Applicable tubing material	Nylon, Soft nylon, Polyurethane*1, FEP, PFA

*1: Use caution at the max. operating pressure when using soft nylon or polyurethane tubing. (Refer to the **WEB catalog** for details.)

Flow Rate and Sonic Conductance

Model	Tubing O.D.	AS1002FSG□		AS2002FSG□		AS2052FSG□		AS3002FSG□				AS4002FSG□		
		Metric size	ø3.2	ø4	ø6	ø4	ø6	ø6	ø8	ø6	ø8	ø10	ø12	ø10
C values: Sonic conductance dm3(s-bar)	Free flow	0.3	0.4	0.6	0.4	0.6	1.0	1.2	1.1	1.6	2.2	2.6	2.4	3.5
	Controlled flow	0.3			0.4	0.6	1.0	1.2	1.3	1.9	2.7	3.3	2.8	4.1
b values: Critical pressure ratio	Free flow	0.3	0.2		0.3	0.1	0.2		0.2				0.3	0.2
	Controlled flow	0.2	0.3	0.4	0.2		0.2	0.3	0.1		0.2		0.1	0.2



*: C and b values are for controlled flow with the needle fully open and free flow with the needle fully closed.

How to Order

AS 200 2 F S G 1 - 06

Body size

100	M5 standard
200	1/8 standard
205	1/4 standard
300	3/8 standard
400	1/2 standard

With indicator

Stainless steel type (Stainless steel 303)

*: The material can be visually identified by color of the release button.

Stainless steel type: White

*: White is also used for inch size.

Applicable tubing O.D.*1

Metric size		Inch size	
23	ø3.2*2	01	ø1/8"
04	ø4	03	ø5/32"
06	ø6	07	ø1/4"
08	ø8	09	ø5/16"
10	ø10	11	ø3/8"
12	ø12	13	ø1/2"

*1: For selecting applicable tubing O.D., refer to the "Model" shown above.

*2: Use ø1/8" tubing.

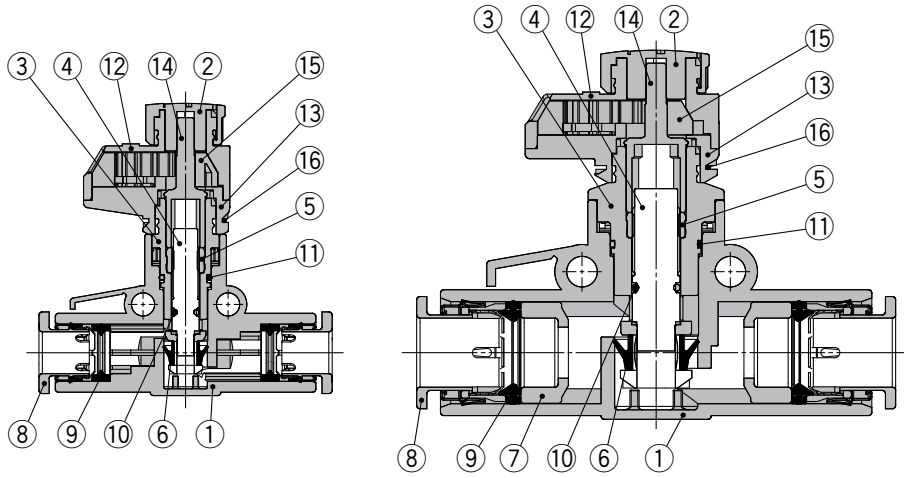
Indicator direction

Nil	0°	Indicator window Index plate	2	90°	Indicator window Index plate
1	180°	Indicator window Index plate	3	270°	Indicator window Index plate

Dimensions, flow rate characteristics and options are the same as standard product (brass needle guide). Refer to page 4 for the manifolds (DIN rail bracket mounting/L-bracket mounting).

AS-FS Series

Construction

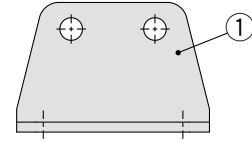


Component Parts

No.	Description	Material	Note
1	Body A	PBT	
2	Knob	POM	
3	Body B	PBT	
4	Needle	PBT	
5	Needle guide	Stainless steel	
6	U-seal	HNBR	
7	Spacer	PBT*1	
8	Cassette	—	
9	Seal	NBR	
10	O-ring	NBR	
11	O-ring	NBR	
12	Bonnet A	POM	
13	Bonnet B	POM	
14	Gear	PPS	
15	Indicator gear	POM	
16	Clip	Stainless steel	

*1: The AS3002FS□-11, AS4002FS□-11, AS4002FS□-13 are made of stainless steel.

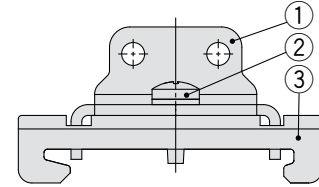
L-Bracket



Component Parts

No.	Description	Material
1	Bracket	Steel strip

DIN Rail Mounting Bracket



Component Parts

No.	Description	Material
1	Bracket	Steel strip
2	Cross recessed round head screw	Steel wire
3	Clasp	Steel strip

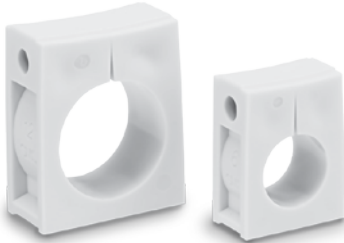
Related Equipment

Holder for Speed Controller

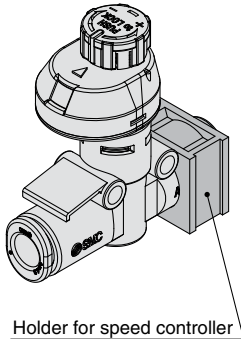
TMH Series

A holder for securing a speed controller with One-touch fittings (In-line type)

Possible to hold a single controller.



Holder mounting



Specifications

Ambient temperature	-4 to 140°F [-20 to 60°C]
Material	Polypropylene
Color	White

Accessory: Cross Recessed Round Head Screw for Mounting (Zinc chromated)

Part no.		Size (Nominal x Length)	Quantity
Metric size	Inch size		
TMH-23J	TMH-01J	M3 x 15	1
TMH-04J	TMH-03J		
TMH-06J	TMH-07J	M3 x 20	
TMH-06	TMH-07	M4 x 25	
TMH-08	TMH-09		
TMH-10	—		
TMH-12	TMH-13	M4 x 35	

Series

Select the applicable holder/TMH for each speed controller from the table below.

Metric Size

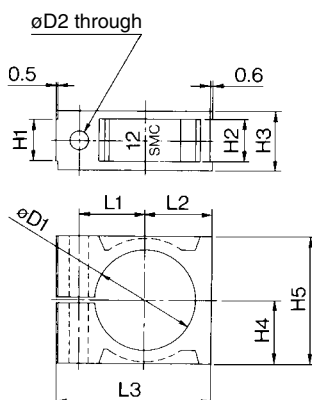
Applicable model	Tubing size	Applicable tubing					
		23 ø3.2	04 ø4	06 ø6	08 ø8	10 ø10	12 ø12
AS1002FS□	TMH-23J		TMH-04J	TMH-06J			
AS2002FS□							
AS2052FS□				TMH-06	TMH-08		
AS3002FS□				TMH-07			
AS4002FS□						TMH-10	TMH-12 TMH-13

*: The applicable TMH for the AS1002FS□-02 is not available.

Inch Size

Applicable model	Tubing size	Applicable tubing					
		01 ø1/8"	03 ø5/32"	07 ø1/4"	09 ø5/16"	11 ø3/8"	13 ø1/2"
AS1002FS□	TMH-01J		TMH-03J	TMH-07J			
AS2002FS□							
AS2052FS□							
AS3002FS□				TMH-07	TMH-09		
AS4002FS□							TMH-10


Dimensions





Part no.		øD1	øD2	H1	H2	H3	H4	H5	L1	L2	L3	Symbol
Metric size	Inch size											
TMH-23J	TMH-01J	8.5										1/8J
TMH-04J	TMH-03J	9.4	3.3	4.5	4.6	7.5	6	12	7.2	6.6	18	4 5/32J
TMH-06J	—	11.7										6J
—	TMH-07J	12.1	3.3	6.3	6.4	9.3	7.7	15.4	8.5	8.3	21	1/4J
TMH-06	—	13.1										6
—	TMH-07	13.5	4.3	7.1	7.2	11.1	10	20	11	10.6	26.5	1/4
TMH-08	TMH-09	15.5										8 5/16
TMH-10	—	18.8										10
TMH-12	—	21.2	4.3	9.5	9.6	13.5	14	28	14.2	14.6	34	12
—	TMH-13	22										1/2

Safety Instructions

These safety instructions are intended to prevent hazardous situations and/or equipment damage. These instructions indicate the level of potential hazard with the labels of “Caution,” “Warning” or “Danger.” They are all important notes for safety and must be followed in addition to International Standards (ISO/IEC)*1), and other safety regulations.

 **Caution:** Caution indicates a hazard with a low level of risk which, if not avoided, could result in minor or moderate injury.

 **Warning:** Warning indicates a hazard with a medium level of risk which, if not avoided, could result in death or serious injury.

 **Danger :** Danger indicates a hazard with a high level of risk which, if not avoided, will result in death or serious injury.

*1) ISO 4414: Pneumatic fluid power – General rules relating to systems.
ISO 4413: Hydraulic fluid power – General rules relating to systems.
IEC 60204-1: Safety of machinery – Electrical equipment of machines.
(Part 1: General requirements)
ISO 10218-1: Manipulating industrial robots – Safety.
etc.

Warning

1. The compatibility of the product is the responsibility of the person who designs the equipment or decides its specifications.

Since the product specified here is used under various operating conditions, its compatibility with specific equipment must be decided by the person who designs the equipment or decides its specifications based on necessary analysis and test results. The expected performance and safety assurance of the equipment will be the responsibility of the person who has determined its compatibility with the product. This person should also continuously review all specifications of the product referring to its latest catalog information, with a view to giving due consideration to any possibility of equipment failure when configuring the equipment.

2. Only personnel with appropriate training should operate machinery and equipment.

The product specified here may become unsafe if handled incorrectly. The assembly, operation and maintenance of machines or equipment including our products must be performed by an operator who is appropriately trained and experienced.

3. Do not service or attempt to remove product and machinery/equipment until safety is confirmed.

1. The inspection and maintenance of machinery/equipment should only be performed after measures to prevent falling or runaway of the driven objects have been confirmed.
2. When the product is to be removed, confirm that the safety measures as mentioned above are implemented and the power from any appropriate source is cut, and read and understand the specific product precautions of all relevant products carefully.
3. Before machinery/equipment is restarted, take measures to prevent unexpected operation and malfunction.

4. Contact SMC beforehand and take special consideration of safety measures if the product is to be used in any of the following conditions.

1. Conditions and environments outside of the given specifications, or use outdoors or in a place exposed to direct sunlight.
2. Installation on equipment in conjunction with atomic energy, railways, air navigation, space, shipping, vehicles, military, medical treatment, combustion and recreation, or equipment in contact with food and beverages, emergency stop circuits, clutch and brake circuits in press applications, safety equipment or other applications unsuitable for the standard specifications described in the product catalog.
3. An application which could have negative effects on people, property, or animals requiring special safety analysis.
4. Use in an interlock circuit, which requires the provision of double interlock for possible failure by using a mechanical protective function, and periodical checks to confirm proper operation.

Caution

1. The product is provided for use in manufacturing industries.

The product herein described is basically provided for peaceful use in manufacturing industries.
If considering using the product in other industries, consult SMC beforehand and exchange specifications or a contract if necessary.
If anything is unclear, contact your nearest sales branch.

Limited warranty and Disclaimer/ Compliance Requirements

The product used is subject to the following “Limited warranty and Disclaimer” and “Compliance Requirements”.
Read and accept them before using the product.

Limited warranty and Disclaimer

1. The warranty period of the product is 1 year in service or 1.5 years after the product is delivered, whichever is first.*2)
Also, the product may have specified durability, running distance or replacement parts. Please consult your nearest sales branch.
2. For any failure or damage reported within the warranty period which is clearly our responsibility, a replacement product or necessary parts will be provided. This limited warranty applies only to our product independently, and not to any other damage incurred due to the failure of the product.
3. Prior to using SMC products, please read and understand the warranty terms and disclaimers noted in the specified catalog for the particular products.

*2) Vacuum pads are excluded from this 1 year warranty.
A vacuum pad is a consumable part, so it is warranted for a year after it is delivered. Also, even within the warranty period, the wear of a product due to the use of the vacuum pad or failure due to the deterioration of rubber material are not covered by the limited warranty.


Compliance Requirements

1. The use of SMC products with production equipment for the manufacture of weapons of mass destruction (WMD) or any other weapon is strictly prohibited.
2. The exports of SMC products or technology from one country to another are governed by the relevant security laws and regulations of the countries involved in the transaction. Prior to the shipment of a SMC product to another country, assure that all local rules governing that export are known and followed.

Caution

SMC products are not intended for use as instruments for legal metrology.

Measurement instruments that SMC manufactures or sells have not been qualified by type approval tests relevant to the metrology (measurement) laws of each country. Therefore, SMC products cannot be used for business or certification ordained by the metrology (measurement) laws of each country.

 **Safety Instructions** Be sure to read the “Handling Precautions for SMC Products” (M-E03-3) and “Operation Manual” before use.

SMC Corporation of America
10100 SMC Blvd., Noblesville, IN 46060
www.smcusa.com

SMC Pneumatics (Canada) Ltd.
www.smc Pneumatics.ca

(800) SMC.SMC1 (762-7621)
e-mail: sales@smcusa.com
International inquiries: www.smcworld.com

