



Speed Controller Series AS3500

Locking In-line Type

Lock speed setting, with the touch of a button

It can be locked only by pushing the handle after adjustment.

Convenient opening indication scale

The opening indication scale for the needle valve is provided on the handle to facilitate speed adjustments.

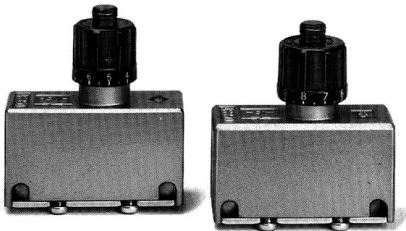
Easy speed control at low flow volume ranges

Possible to control the mass velocity

Constant knob constructed of metal to withstand heavy usage

In addition to the standard handle made of resin, a heavy-duty metal handle is also available.

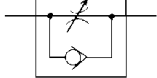
Retainer prevents accidental loss of needle



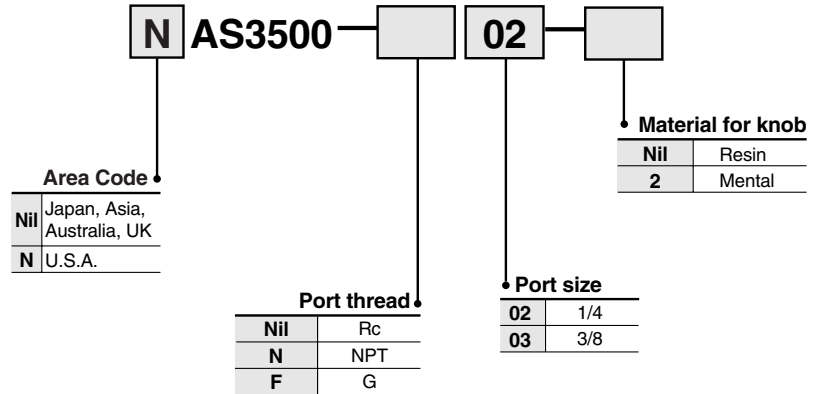
AS3500-02
(Resin knob)

AS3500-02-2
(Metal knob)

JIS Symbol



How to Order

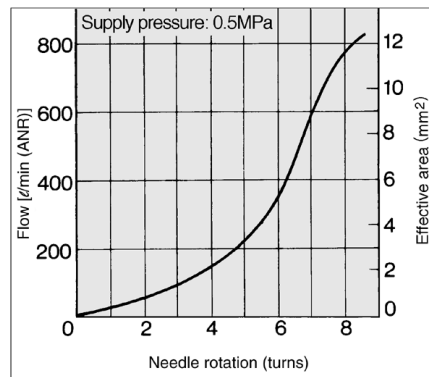


Specifications

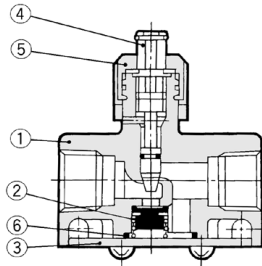
Specifications	Model	AS3500-02	AS3500-03
	Resin knob	AS3500-02-2	AS3500-03-2
Port size		1/4	3/8
Applicable cylinder bore size (mm)		40, 50, 63	
Proof pressure		1.5MPa	
Maximum operating pressure		1MPa	
Minimum operating pressure		0.05MPa	
Ambient and fluid temperature		-5° to 60°C (No freezing)	
Number of needle rotations		8 turns	
Weight		130g (Metallic handle: 140g)	
Free flow	Air flow [ℓ/min(ANR)]	810	
	Effective area (mm ²)	12.3	
Controlled flow	Air flow [ℓ/min(ANR)]	810	
	Effective area (mm ²)	12.3	

Note) Supply pressure: 0.5MPa, Temperature: 20°C.

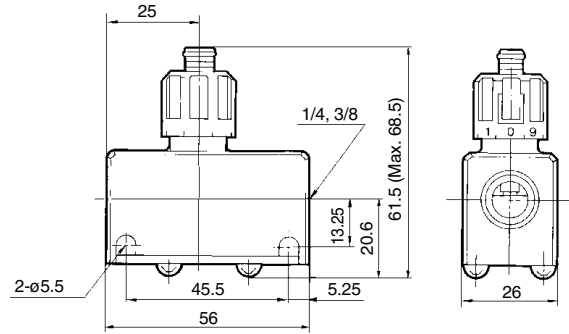
Needle/Flow Characteristics AS3500



Construction



Dimensions



Component Parts

No.	Description	Material	Note
①	Body	Aluminum alloy	Chromated
②	Valve	NBR	
③	Cap	Rolled steel	Electroless nickel plated
④	Needle	Brass	
⑤	Handle	POM	Black
		Zinc alloy	Black

Replacement Parts

No.	Description	Material	Part no.
⑥	O-ring	NBR	14284



AS3500-02 to 03.....SAS001, #6