



Speed Controller Standard Type

Series AS

Large Flow In-line Type

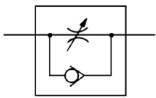
Constant speed easily set.

Speed may be accurately controlled even at low speeds.

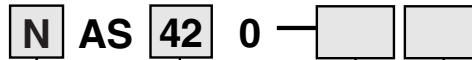
Retainer prevents accidental loss of needle.



JIS Symbol



How to Order



Area Code

Nil	Japan, Asia, Australia, UK
N	U.S.A.

Body size

42	1/2
50	3/4
60	1
80	1 1/4
90	1 1/2

Port size

Port size	Applicable model
02	AS420
03	
04	
06	AS500
10	AS600
12	AS800
14	AS900
20	

Port thread

Nil	Rc
N	NPT
F	PF

Specifications

Proof pressure	1.5MPa
Maximum operating pressure	1MPa
Minimum operating pressure	0.05MPa
Ambient and fluid temperature	-5° to 60°C (No freezing)
Number of needle rotations	10 turns (12 turns ^{Note 1)})

Note 1) (): Values for AS800, AS900.

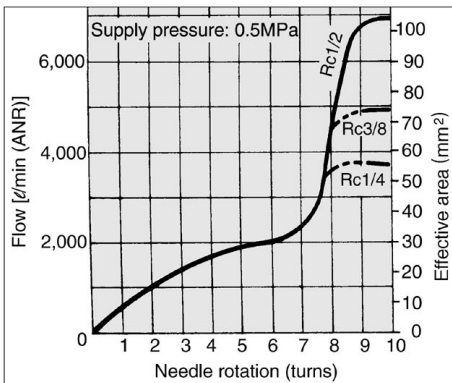
Model

Model	Port size	Free flow		Controlled flow		Applicable cylinder bore size (mm)	Weight (kg)
		Air flow [l/min (ANR)]	Effective area (mm ²)	Air flow [l/min (ANR)]	Effective area (mm ²)		
AS420-02	1/4	2,500	38	3,600	55	63, 80, 100, 125	0.34
AS420-03	3/8	5,000	77	4,800	74		0.33
AS420-04	1/2	6,600	100	6,700	102		0.32
AS500-06	3/4	10,100	154	8,100	123	140, 160, 180, 200	0.36
AS600-10	1	15,100	230	16,900	258	160, 180, 200, 250	0.7
AS800-12	1 1/4	35,400	540	38,500	586	300	1.4
AS900-14	1 1/2	52,000	792	47,500	724		3.3
AS900-20	2	57,800	880	60,800	926		3.3

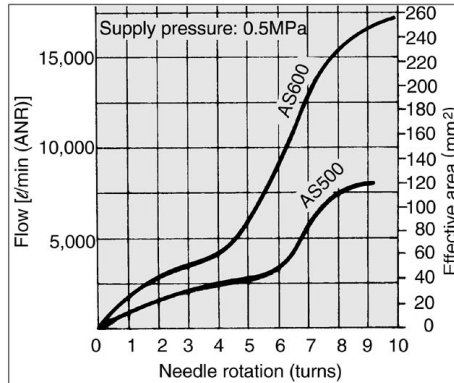
Note) Supply pressure: 0.5MPa, Temperature: 20°C.

Flow Characteristics

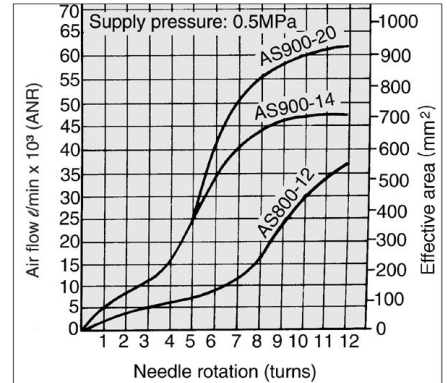
AS420



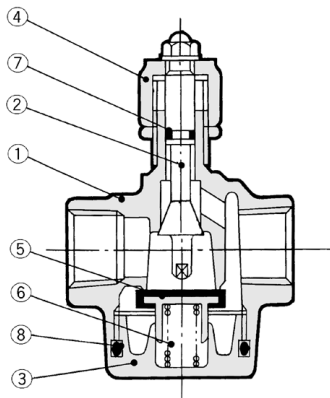
AS500/600



AS800/900



AS420, 500, 600/Construction



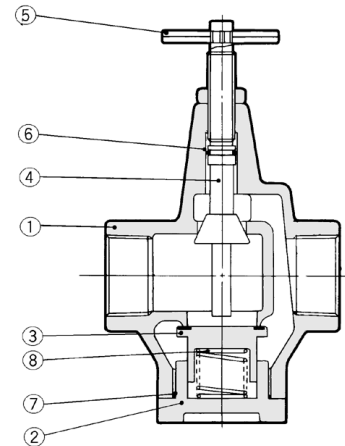
Component Parts

No.	Description	Material	Note
①	Body	Aluminum alloy	Chromated
②	Needle	Brass	—
③	Bottom cover	Aluminum alloy	Chromated
④	Handle	Zinc alloy	Black painted

Replacement Parts

No.	Description	Material	Part no.	
			AS420-500	AS600
⑤	Check valve	Brass	14254	14273
⑥	Spring	Stainless steel	14255	14275
⑦	O-ring	NBR	JISB2401 P-7	JISB2401 P-7
⑧	O-ring	NBR	JISB2401 P-38	JISB2401 P-48

AS800, 900/Construction



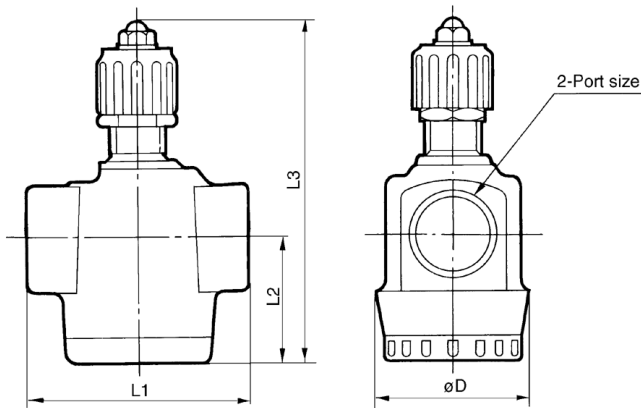
Component Parts

No.	Description	Material	Note
①	Body	Aluminum alloy	Chromated
②	Valve guide	Aluminum alloy	Chromated
③	Check valve	Brass	Rubber lining
④	Needle	Brass	—
⑤	Handle	Carbon steel	Chromated

Replacement Parts

No.	Description	Material	Part no.	
			AS800	AS900
⑥	O-ring	NBR	JISB2401 P-12	JISB2401 P-16
⑦	O-ring	NBR	JISB2401 G-50	JISB2401 G-65
⑧	pring	Stainless steel	14115	14124

AS420, 500, 600/Dimensions

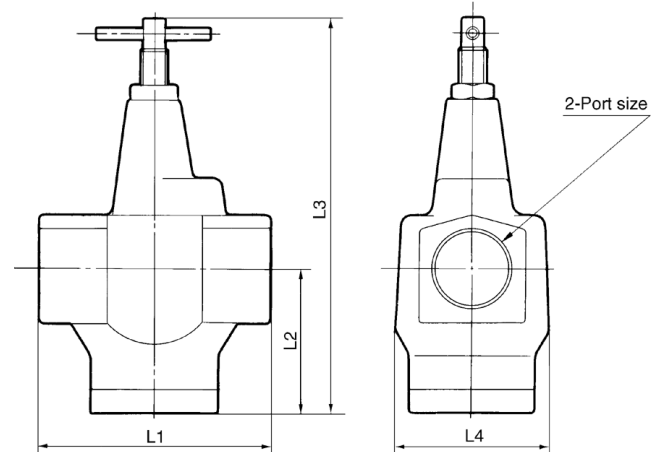


Dimensions

Model	Port size	L1	L2	L3		D
				Max.	Min.	
AS420	1/4, 3/8, 1/2	67.5	38	122	112	50
AS500	3/4	74	42	115	105	50
AS600	1	90	55	158	148	62

	AS420-02 to 04.....SAS001, #8
	AS500-06.....SAS001, #9
	AS600-10.....SAS001, #10
	AS800-12.....SAS001, #11
	AS900-14.....SAS001, #12
	AS900-20.....SAS001, #12

AS800, 900/Dimensions



Dimensions

Model	Port size	L1	L2	L3		L4
				Max.	Min.	
AS800	1 1/2	120	74	204	192	80
AS900	1 1/2, 2	150	93	262	250	94