

FILTER REGULATOR SERIES (N)AW

- ✓ Port Size M5 – 3/4"
- ✓ Differential or float type autodrain
- ✓ Quick release bowl guard on some sizes
- ✓ High flow
- ✓ 5µm filter element
- ✓ Built in gauge available

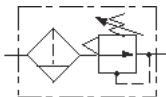


TECHNICAL SPECIFICATIONS

Model	NAW1000	NAW2000	NAW2001	NAW3000	NAW3001	NAW4000	NAW4001
Port Size	M5x0.8	1/8 1/4	1/8 1/4	1/4 3/8	1/4 3/8	1/4 3/8 1/2	1/4 3/8 1/2
Flow rate (l/min)*	100	550	550	2000	2000	4000	4000
Max Supply Pressure	1.5MPa / 220PSI				1.5MPa / 220PSI		
Max Operating Pressure	1MPa				1MPa		
Pressure Regulating Range	0.05~0.7MPa	0.05 ~0.85MPa / 8~125PSI					
Port Size for Pressure Gauge	1/8	1/8	N/A	1/8	N/A	1/4	N/A
Ambient and Media Temperature	5 ~ 60°C / 40~140°F				5 ~ 60°C / 40~140°F		
Filtration	Standard: 5µm				Standard: 5µm		
Bowl Capacity cm ³	4	15	15	20	20	45	45
Bowl Material	Polycarbonate				Polycarbonate		
Construction / Regulator	Relieving type				Relieving type		
Accessory (Standard)	Bowl Guard	-	-	-	•	•	•

*0.7MPa supply, 0.5MPa static set pressure, 0.1MPa pressure drop / 0.05~0.7MPa

SYMBOLS



HOW TO ORDER FILTER REGULATOR

(N)AW 0 0 0 0 0 0 0

-Japanese
NNorth American

BODY SIZE

10 ...M5
20 ...1/8•1/4
30 ...1/4•3/8
40 ...3/8•1/2

0Standard
1With Built-in Gauge
2With Built-in Gauge
for right to left flow
(1 & 2 available for body
sizes 20-40 only)

PORT THREAD

-Rc(PT)* Remove (N) when ordering
FPF
NNPT* Remove (N) when ordering

PORT SIZE

M5 ...M5
01 ...1/8
02 ...1/4
03 ...3/8
04 ...1/2
06 ...3/4

OPTIONAL SPECS

Refer to CAT:E5G

ACCESSORIES

-Without
DW/ Auto Drain
BBracket

ACCESSORIES FILTER REGULATOR

Filter Element 5µm

11134-5NAW1000
11294-5BNAW2000
111511-5BNAW3000
11104-5BNAW4000
11173-5BNAW5000
11074-5BNAW6000

Bracket

B120NAW1000
B220NAW2000
B320NAW3000
B420NAW4000

**FOR MORE TECHNICAL INFORMATION
ON THIS SERIES, PLEASE REFER TO
CAT:E5G, N5-G1 & N5-G3**

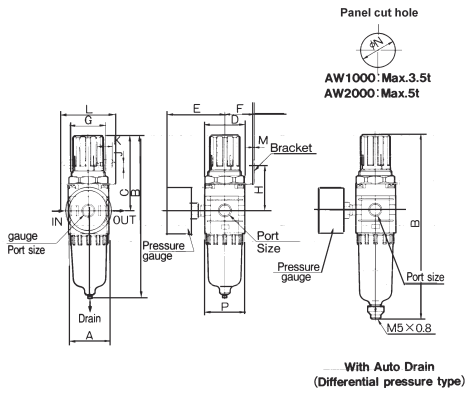
SEE INSIDE FRONT COVER FOR
DETAILS OF YOUR LOCAL SALES OFFICE

DIMENSIONS
SEE NEXT PAGE

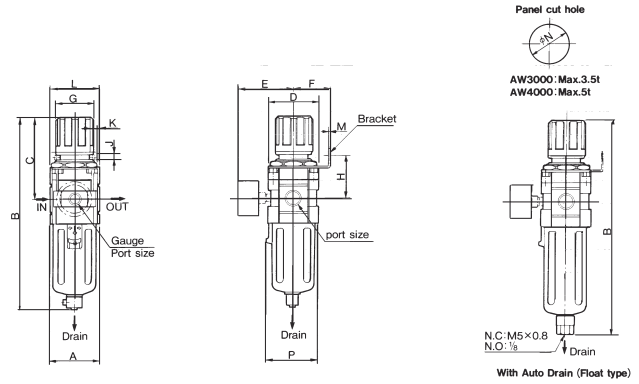


FOR FURTHER TECHNICAL
DETAILS ON THIS
PRODUCT REQUEST
CATALOG REFERENCE
E5G, N5-G1 & N5-G3

DIMENSIONS
NAW1000•2000

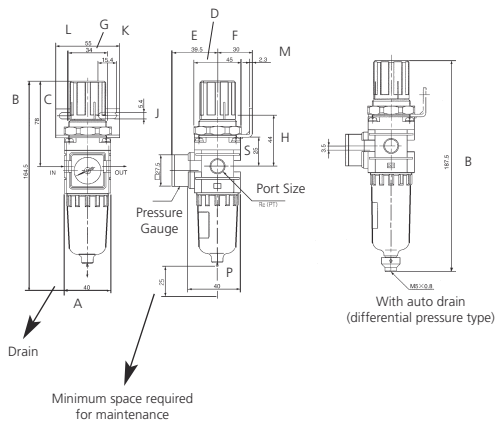


DIMENSIONS
NAW 3000•4000

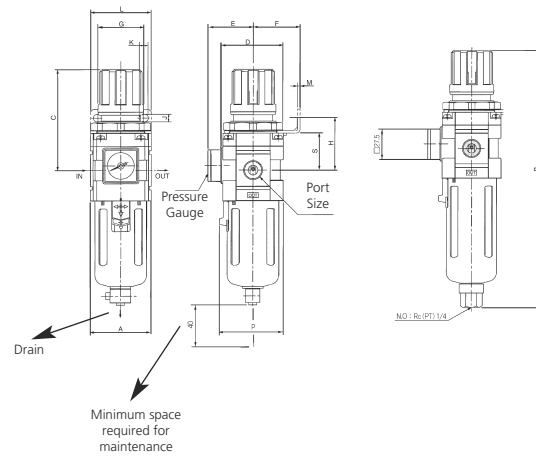


MODEL	A	B	C	D	E	F	G	H	J	K	L	M	ØN	P	With auto drain	
															B	Type
NAW1000	25	109.5	50.5	25	26	25	28	30	4.5	6.5	40	2.0	20.5	28	86.5	Differential pressure
NAW2000	40	164.5	78	40	56.8	30	34	45	5.4	15.4	55	2.3	33.5	40	120.5	Differential pressure
NAW3000	53	211	92.5	53	60.8	41	40	46	6.5	8.0	53	2.3	42.5	56	236.5	Float
NAW4000	70	262.5	112	70	70.5	50	54	54	8.5	10.5	70	2.3	52.5	73	288	Float

DIMENSIONS
NAW2001



DIMENSIONS
NAW3001 - 4001



MODEL	A	B	C	D	E	F	G	H	J	K	L	M	ØN	P	With auto drain	
															B	Type
NAW2001	40	164.5	78	40	56.8	30	34	45	5.4	15.4	55	2.3	33.5	40	120.5	Differential pressure
NAW3001	53	211	92.5	53	60.8	41	40	46	6.5	8.0	53	2.3	42.5	56	236.5	Float
NAW4001	70	262.5	112	70	70.5	50	54	54	8.5	10.5	70	2.3	52.5	73	288	Float



FOR FURTHER TECHNICAL
DETAILS ON THIS
PRODUCT REQUEST
CATALOG REFERENCE
E5G, N5-G1 & N5-G3