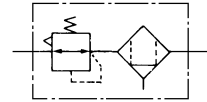


Micro Mist Separator/Regulator
NAWD2000, 3000, 4000

- Combination Micro Mist Separator/Regulator that provides 0.01µm filtration
- Combination Micro Mist Separator/Regulator saves space
- Use for instrumentation quality air
- Modular design connects with other SMC air preparation equipment



ANSI Symbol



NAWD3000-N03



NAWD2000-N02



NAWD3000-N03BG



NAWD2000-N02BG-C

Specifications

Model	NAWD2000	NAWD3000	NAWD4000
Port size NPT	1/8 • 1/4	1/4 • 3/8	1/4 • 3/8 • 1/2
Proof pressure psig (MPa)	220 (1.5)		
Max. operating pressure psig (MPa)	150 (1.0)		
Regulating range psig (MPa)	7 ~ 120 (0.05 ~ 0.85)		
Gauge connecting port	1/8 NPT	1/8 NPT	1/4 NPT
Ambient & media temperature	23° ~140° F (-5 ~ 60° C)		
Filtration	0.01µm		
Flow capacity SCFM*	3.2	6.4	15.9
Bowl material	Polycarbonate		
Construction/Regulator	Relieving style		
Weight lbs. (kgf)	.97 (0.44)	1.3 (0.59)	2.76 (1.25)
Bowl guard-STD	●	●	●

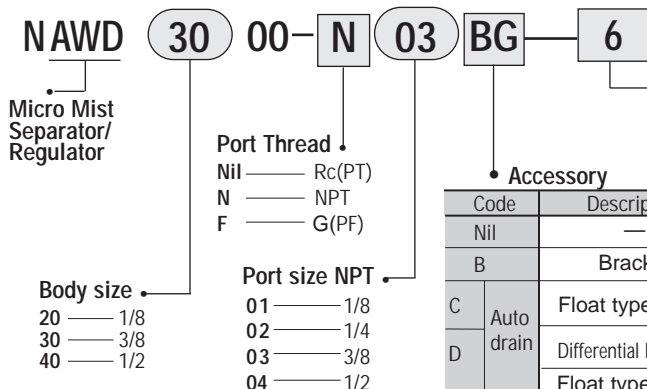
* Supply Pressure = 70 psig

Accessories (Optional)

Type	Part No.		
	NAWD2000	NAWD3000	NAWD4000
Bracket	B220	B320	B420
Pressure gauge	K40A-MP1.0-N01M	K40A-MP1.0-N01M	K50A-MP1.0-N02M
Float auto drain*	N.O.	-	NAD43
	N.C.	—	NAD53
Differential pressure auto drain	NAD62-C	-	-

* Min. operating pressure: N.O.–15 psig, N.C.– 22 psig.

How To Order



Code	Description	Applicable model
Nil	—	—
B	Bracket	NAWD2000-NAWD4000
C	Auto drain	Float type (N.C.)
D		Differential Pressure
	Float type (N.O.)	NAWD3000-NAWD4000
G	Pressure Gauge	NAWD2000-NAWD4000

Optional specifications

- Nil — None
- 1* — 3-30psig (0.02 ~ 0.2MPa) setting
- 2 — Metal bowl
- 4* — 3-30psig (0.02 ~ 0.4MPa) setting
- 6 — Nylon bowl
- 8 — Metal bowl with level gauge (only NAWD3000-NAWD4000)
- C — With bowl guard (Only NAWD2000)
- J — Drain Guide 1/4 Pipe Thread
- N — Non-relieving
- R — IN-OUT reversal
- W — Drain Cock with Barb Fitting for Nylon tube (ø6mm OD/ø4mm ID)

When specifying more than one option, please list numerically, then alphabetically.
*Not a maximum setting. Option 1 is more precise in the range of 3-30 psig. Option 4 is more precise in the range of 3-60 psig.

- ▼ Combination
- No Combination
- Refer to "How to Order"

Accessories and Combinations

Accessories	Suffix	D	D	C	1	2	4	6	8	C	J	N	R	W	Applicable Model		
															NAWD2000	NAWD3000	NAWD4000
Differential pressure auto drain	D				▼	▼	▼	▼	●	●	▼	▼			▼		
Float auto drain (N.O)	D				▼	▼	▼	▼	●		▼	▼				▼	▼
Float auto drain (N.C)	C				▼	▼	▼	▼	●		▼	▼					▼
3 ~ 30 psi (0.02 ~ 0.2 MPa)	-1	▼	▼	▼		▼		▼	●	●	●	▼	▼	●	▼	▼	▼
Metal bowl	-2	▼	▼	▼		▼					●	▼	▼		▼	▼	▼
3 ~ 60 psi (0.02 ~ 0.4 MPa)	-4	▼	▼	▼		▼		▼	●	●	●	▼	▼	●	▼	▼	▼
Nylon bowl	-6	▼	▼	▼		▼				●	●	▼	▼	●	▼	▼	▼
Metal bowl with level gauge	-8	▼	▼	▼		▼					●	▼	▼		▼	▼	▼
With bowl guard	-C	▼			▼		▼	▼				▼	▼		▼		▼
Drain guide (1/4)	-J				▼	▼	▼	▼	●			▼	▼			▼	▼
Non-relieving type	-N	▼	▼	▼	▼	▼	▼	▼	●	●	●	▼	▼	●	▼	▼	▼
IN-OUT reversal (Right - Left)	-R	▼	▼	▼	▼	▼	▼	▼	●	●	●	▼	▼	●	▼	▼	▼
With barb fitting	-W				▼	▼	▼	▼				▼	▼			▼	▼

Setting

- ❶ The adjustment knob is a locking type. Pull the knob away from the body until the orange band is visible. Adjust as necessary and push the knob back into its locked position to prevent accidental setting change.



- ❷ Clockwise rotation of the knob results in a pressure increase and vice-versa.
- ❸ Check supply pressure before adjusting pressure.

Precautions

<Installation>

- ❶ Air flush piping before installation.
- ❷ Use of the piping adaptors will ease installation.

<Atmosphere>

Polycarbonate bowls may be damaged and possibly fail if exposed to synthetic oils, thinner solvents, trichlorethylene, kerosene and other aromatic hydrocarbons. If used in above atmospheres, please use a metal bowl.

<Auto Drain>

Float type (Normally open)

- ❶ Drain line should be 5/16 in. (8mm) or more and should be less than 16.5 ft. (5m). Be sure not to have any upward turns in the drain line which would prevent drainage.
- ❷ Unsuitable for flow below 3.5 scfm(100N/min).
- ❸ Min. operating pressure 15 psig (0.1 MPa).

Float type (Normally closed)

- ❶ Suitable for a compressor with capacity lower than 0.75kw.
- ❷ Min. operating pressure 22 psig (0.15 MPa).
- ❸ Drain piping should be 5/32 in. (4mm) or greater and also less than 16.5 ft. (5m) in length.
- ❹ Install vertically.

Differential type

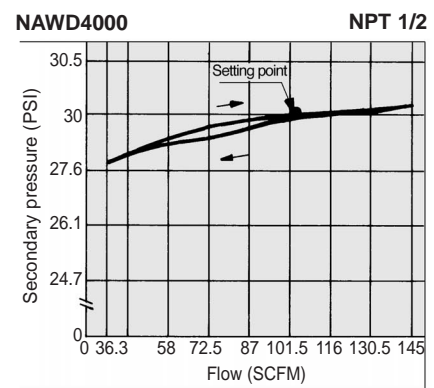
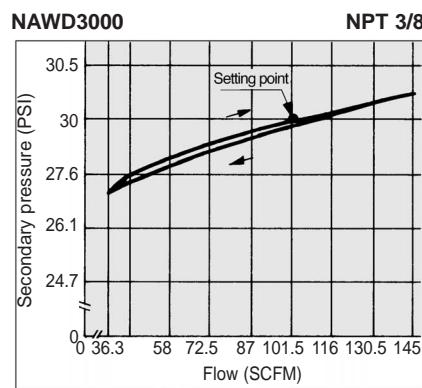
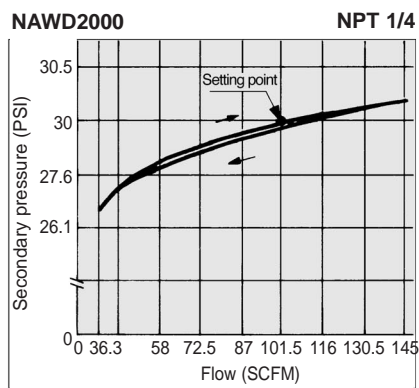
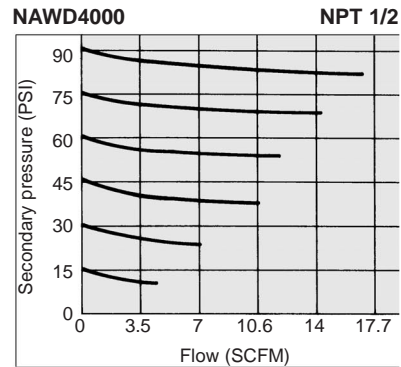
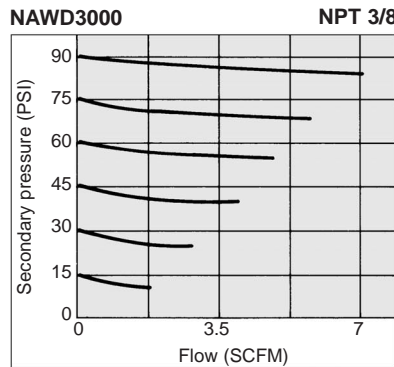
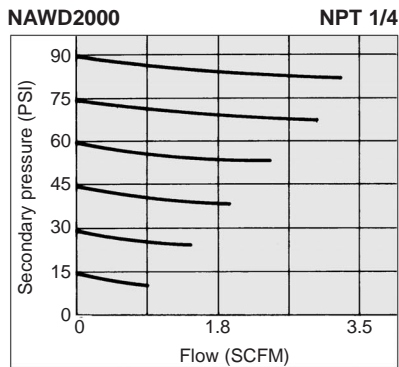
- ❶ Min. operating pressure 15 psig (0.1 MPa).
- ❷ Soft nylon tube of more than 3/32 in. (2.5mm) is recommended for drain piping. The overall length should be less than 16.5 ft. (5m). Be sure not to have any upward turns in the piping.
- ❸ Install vertically.

Maintenance

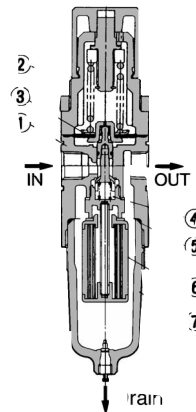
Filter element to be changed after 1 year of when a pressure drop of 15 psi (0.1 MPa) is reached.

Micro Mist Separator/Regulator
NAWD2000, 3000, 4000

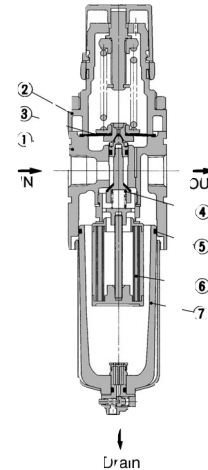
Condition Supply Pressure - 100 PSI



NAWD2000



NAWD3000•4000



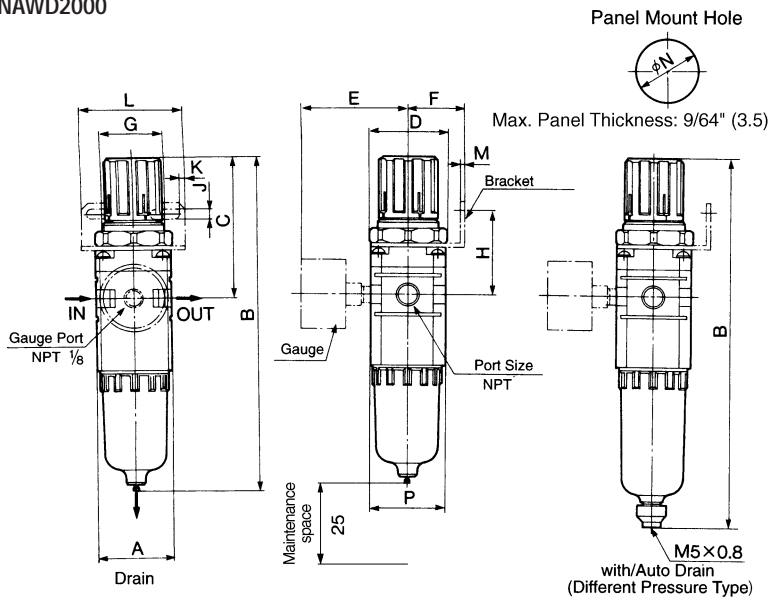
Main Parts

No.	Name	Material			Note
		NAWD2000	NAWD3000	NAWD4000	
①	Body	Zinc Die Cast	Aluminum Die Cast		Platinum silver painting
②	Bonnet	Polyacetal		Aluminum Die Cast	Black painting

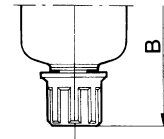
Component Parts List

No.	Parts Name	Material	Part No.		
			NAWD2000	NAWD3000	NAWD4000
③	Diaphragm ass'y	NBR	134916A	131515A	131614A
④	Valve Guide	ZDC	131426	131565	131665
⑤	Bowl O-ring	NBR	11297	111512	11636
⑥	Element ass'y	-	63092	63093	63094
⑦	Bowl and Guard ass'y	Polycarbonate/SPC	NC200F-C	NC300F	NC400F

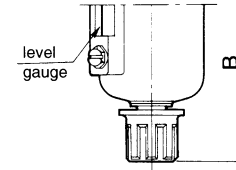
NAWD2000



with metal bowl



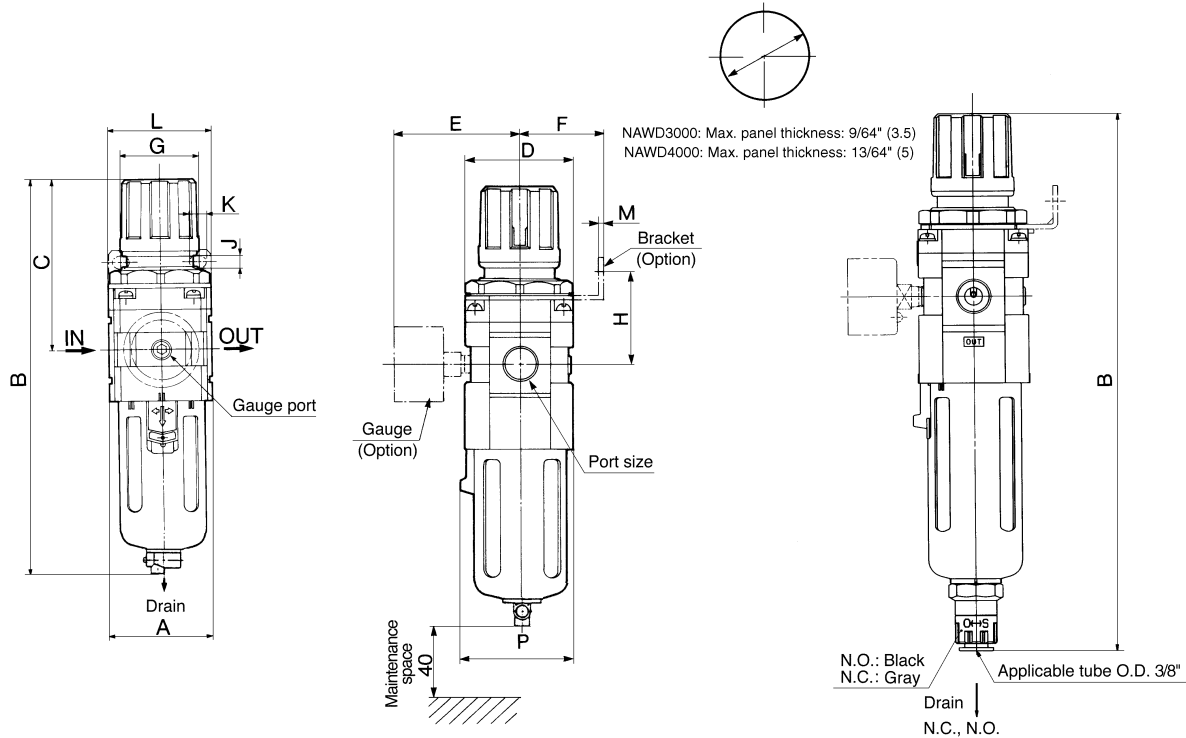
metal bowl with level gauge



Model	Metal bowl	Metal bowl with level gauge
	B	B
NAWD2000	54.71 (179.5)	—
NAWD3000	71.78 (235.5)	77.87 (255.5)
NAWD4000	87.47 (287)	93.57 (307)

NAWD3000 • 4000

Panel mounting hole



Model	Port Size NPT	A	B	C	D	E	With Bracket							N	P	With Auto Drain	
							F	G	H	J	K	L	M			Float	Differential Pressure
																B	B
NAWD2000	1/8 • 1/4	1.57 (40)	7.07 (179.5)	3.07 (78)	1.69 (43)	2.28 (58)	1.18 (30)	1.34 (34)	1.73 (44)	.21 (5.4)	.61 (15.4)	2.17 (55)	.09 (2.3)	1.32 (33.5)	1.57 (40)	—	7.93 (201.5)
NAWD3000	1/4 • 3/8	2.09 (53)	8.76 (222.5)	3.64 (92.5)	2.09 (53)	2.44 (62)	1.61 (41)	1.57 (40)	1.81 (46)	.26 (6.5)	.31 (8.0)	2.09 (53)	.09 (2.3)	1.67 (42.5)	2.20 (56)	10.37 (263.5)	—
NAWD4000	1/4 • 3/8 • 1/2	2.76 (70)	10.79 (274)	4.41 (112)	2.76 (70)	2.76 (70)	1.97 (50)	1.97 (50)	2.13 (54)	.33 (8.5)	.41 (10.5)	2.76 (70)	.09 (2.3)	2.07 (52.5)	2.87 (73)	12.40 (315)	—