

- Allows quick relief of air when the supply air is less than set pressure
- Combines the filter and regulator to save space
- Modular design connects with other SMC air preparation equipment

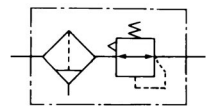
Filter/Regulator with Quick Relief
NAW3050, 4050



NAW3050-N03

NAW3050-N03BG

ANSI Symbol



Specifications

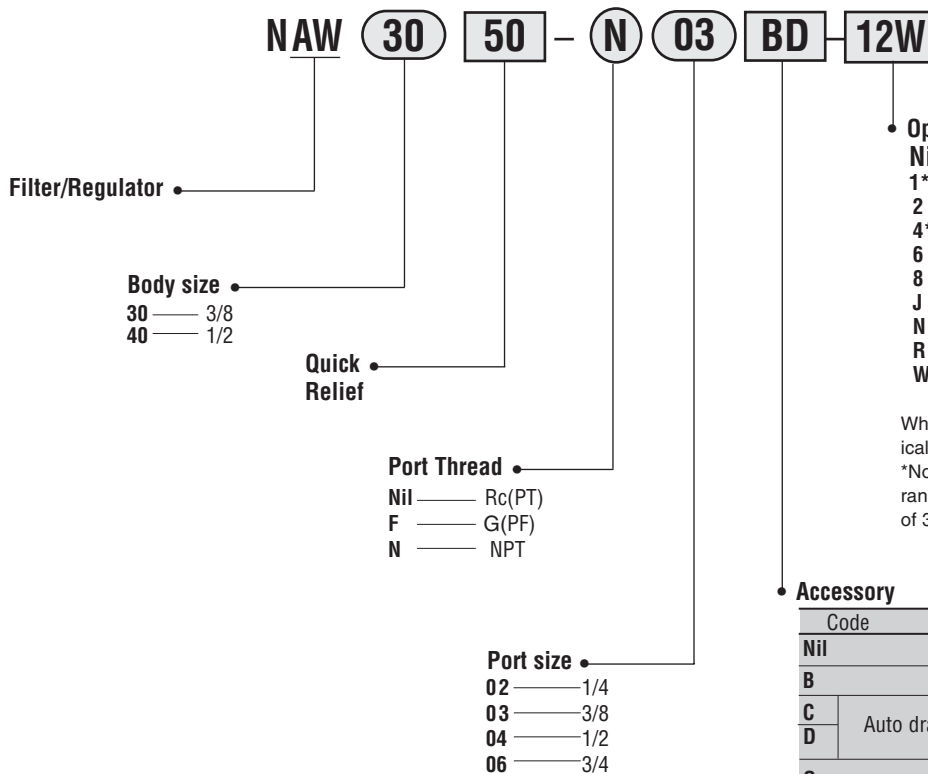
Model	NAW3050	NAW4050	NAW4050-N06
Port Size NPT	1/4 • 3/8	1/4 • 3/8 • 1/2	3/4
Proof supply pressure psig (MPa)	220 (1.5)		
Max. operating pressure psig (MPa)	150 (1.0)		
Regulating range psig (MPa)	7~120 (0.05 ~0.85)		
Gauge Port NPT	1/8	1/4	1/4
Ambient & media Temperature	23° ~140° F (-5° ~ 60° C)		
Filtration	5µm		
Bowl capacity oz. (cm³)	0.78 (23)	1.52 (45)	1.52 (45)
Bowl material	Polycarbonate		
Construction/Regulator	Relieving style		
Weight lbs. (Kgf)	1.23 (0.56)	2.54 (1.15)	2.67 (1.21)
Bowl Guard	STD	●	●

Accessories (Optional)

Name	Part Number		
	NAW3050	NAW4050	NAW4050-N06
Bracket	B320	B420	B420
Pressure Gauge	K40A-MP1.0-N01M	K50A-MP1.0-N02M	K50A-MP1.0-N02M
Auto Drain	N.O.	NAD43	NAD44
	N.C.	NAD53	NAD54

* Minimum Operating Pressure: N.O. - 15 psig, N.C. - 22 psig

How To Order



Optional specifications

- Nil — None
- 1* — 3~30psig (0.02 ~ 0.2 MPa) setting
- 2 — Metal bowl
- 4* — 3~30psig (0.02 ~ 0.4 MPa) setting
- 6 — Nylon bowl
- 8 — Metal bowl with level gauge
- J — Drain guide 1/4 pipe thread
- N — Non-relieving
- R — IN-OUT reversal
- W — Drain cock/with barb fitting for nylon tube (ø6mm OD/ø4mm ID)

When specifying more than one option, please list numerically, then alphabetically.

*Not a maximum setting. Option 1 is more precise in the range of 3~30 psig. Option 2 is more precise in the range of 3~60 psig.

Accessory

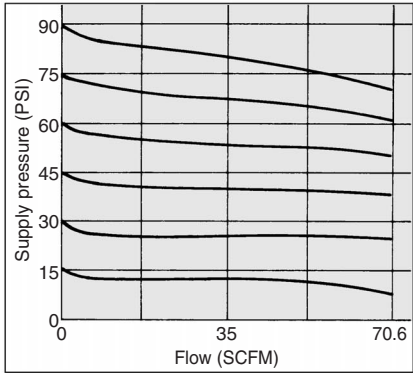
Code	Description
Nil	—
B	Bracket
C	Auto drain
D	
	Float type (N.O.)
G	Pressure gauge

Filter/Regulator with Quick Relief
NAW3050, 4050

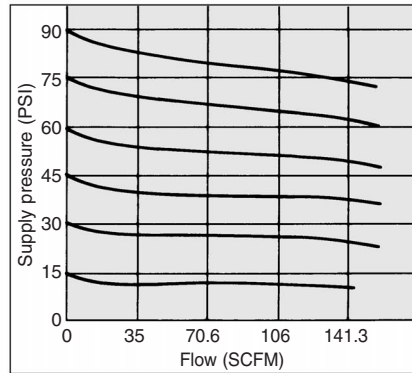
Flow Characteristics

Conditions: Supply pressure 100 psig

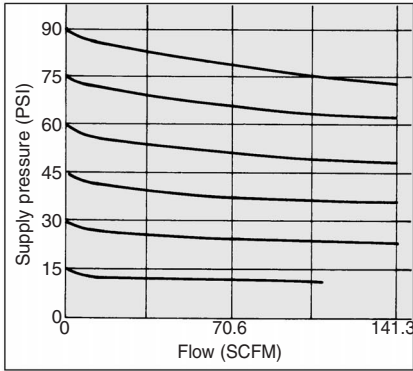
NAW3050 NPT 3/8



NAW4050-06 NPT 3/4



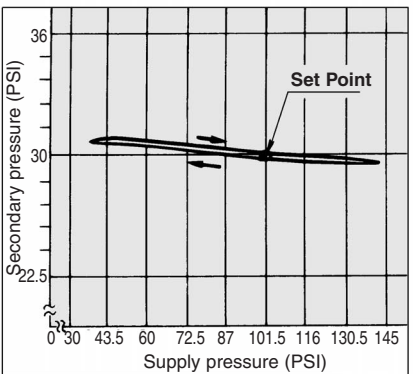
NAW4050 NPT 1/2



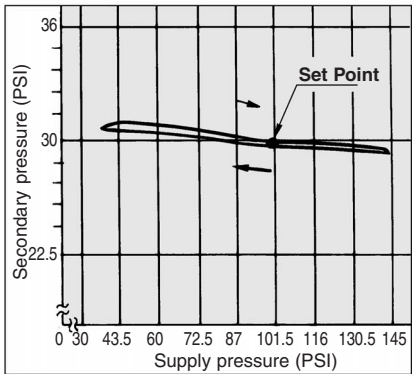
Pressure Characteristics

Conditions—100psi Supply Pressure, 30psi Set Pressure, .71SCFM Flow Rate

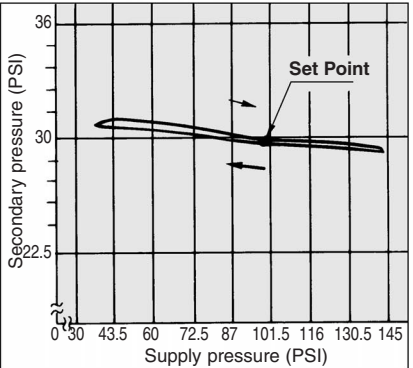
NAW3050 NPT 3/8



NAW4050-06 NPT 3/4



NAW4050 NPT 1/2



Construction/Parts List

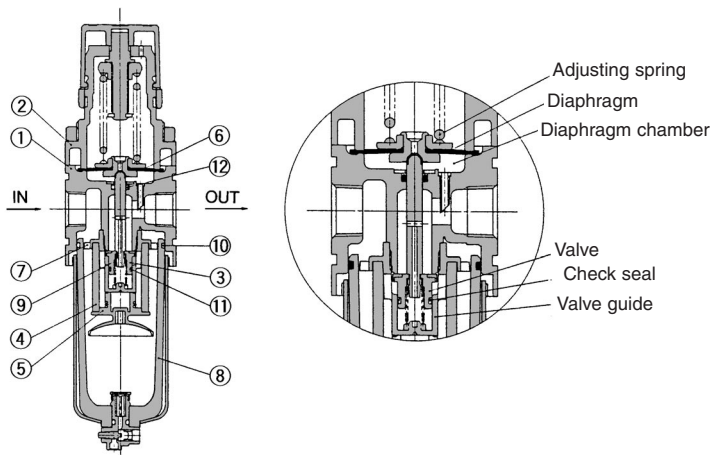
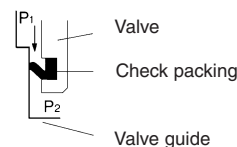
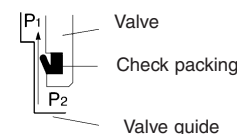


Figure 2



When primary pressure is applied

Figure 3



When primary pressure is exhausted

When primary pressure is higher than set pressure, the check seal opens and the regulator works as a normal pressure relief valve. (See fig. 2). In the bottom valve chamber, the secondary pressure flows through the hole in the valve stem. When the primary pressure is blocked, the check seal folds and the pressure in the bottom valve chamber passes to the primary pressure side (See fig. 3). Because the flow area of the check seal is larger than that of the hole in the valve stem, differential pressure is created between the top and bottom chambers of the valve and the valve opens. The diaphragm is then pushed down by the pressure adjustment spring to let the valve fully open. The secondary pressure then rapidly discharges to the primary pressure side.

Main Parts

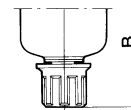
No.	Name	Material			Note
		NAW3050	NAW4050	NAW4050-N06	
1	Body	Aluminum die casting			Platinum silver painting
2	Bonnet	Polyacetal	Aluminum die casting		Black painting

Component Parts List

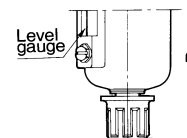
No.	Name	Material	Part No.		
			NAW3050	NAW4050	NAW4050-N06
3	Valve Ass'y	Brass • NBR	1315217A	1316216A	1316217A
4	Filter Element	Bronze	111585	1116103	1116103
5	Baffle	ABS	1315541	1316271	1316271
6	Diaphragm Ass'y	NBR	1315215A	1316211A	1316211A
7	Deflector	ABS	1315540	1316270	1316270
8	Bowl Ass'y	Polycarbonate	NC300F	NC400F	NC400F
9	Valve Spring	Stainless Steel	131525	1316173	1316173
10	Bowl O-ring	NBR	111512	111636	111636
11	Valve O-ring	NBR	131591	131695	131695
12	O-ring	NBR	JIS B2401P5	P5	P5

Semi-standard Type/Dimensions

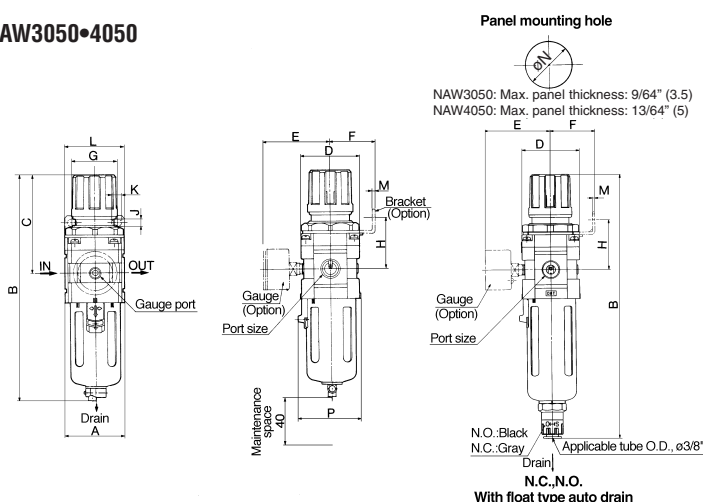
Metal Bowl



Metal bowl with level gauge



NAW3050•4050



Model	Metal bowl	Metal bowl with level gauge
	B	B
NAW3050	8.68 (220.5)	9.47 (240.5)
NAW4050	10.71 (272)	11.50 (292)
NAW4050-N06	10.89 (276.5)	11.67 (296.5)

Model	Port size	A	B	C	D	E	With Bracket							N	P	w/ auto drain Float Type B
							F	G	H	J	K	L	M			
NAW3050	1/4 • 3/8	2.09 (53)	8.17 (207.5)	3.64 (92.5)	2.09 (53)	2.44 (62)	1.61 (41)	1.57 (40)	1.81 (46)	.26 (6.5)	.31 (8)	2.09 (53)	.09 (2.3)	1.67 (42.5)	2.20 (56)	9.78 (248.5)
NAW4050	1/4 • 3/8 • 1/2	2.76 (70)	10.20 (259)	4.41 (112)	2.76 (70)	2.76 (70)	1.97 (50)	2.13 (54)	2.13 (54)	.33 (8.5)	.41 (10.5)	2.76 (70)	.09 (2.3)	2.07 (52.5)	2.87 (73)	11.81 (300)
NAW4050-N06	3/4	2.93 (75)	10.35 (263)	4.49 (114)	2.76 (70)	2.91 (74)	1.97 (50)	2.20 (56)	2.20 (56)	.33 (8.5)	.41 (10.5)	2.76 (70)	.09 (2.3)	2.07 (52.5)	2.87 (73)	11.97 (304)