

## FILTER REGULATOR SERIES (N)AW

- ✓ Port Size M5 – 3/4"
- ✓ Differential or float type autodrain
- ✓ Quick release bowl guard on some sizes
- ✓ High flow
- ✓ 5µm filter element
- ✓ Built in gauge available

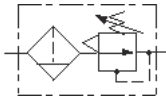


### TECHNICAL SPECIFICATIONS

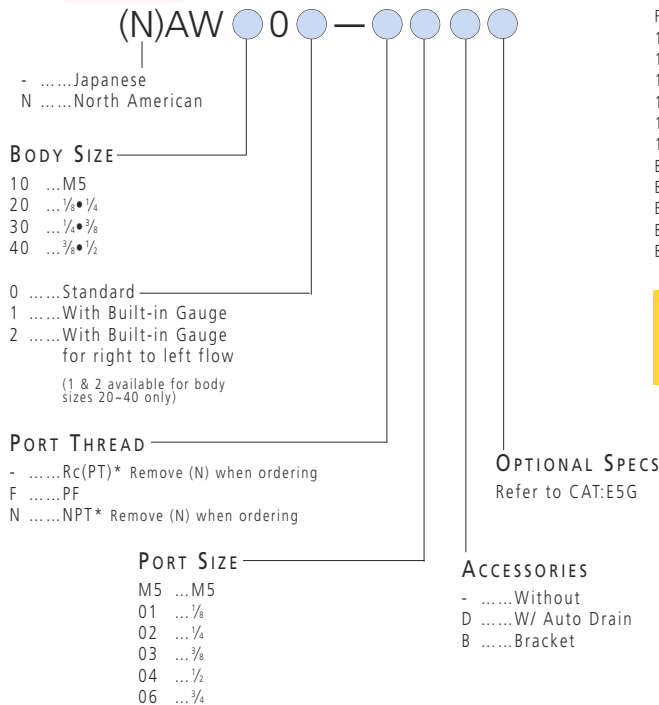
Model	NAW1000	NAW2000	NAW2001	NAW3000	NAW3001	NAW4000	NAW4001
Port Size	M5x0.8	1/8 1/4	1/8 1/4	1/4 3/8	1/4 3/8	1/4 3/8 1/2	1/4 3/8 1/2
Flow rate (l/min)*	100	550	550	2000	2000	4000	4000
Max Supply Pressure	1.5MPa / 220PSI				1.5MPa / 220PSI		
Max Operating Pressure	1MPa				1MPa		
Pressure Regulating Range	0.05~0.7MPa	0.05 ~0.85MPa / 8~125PSI					
Port Size for Pressure Gauge	1/8	1/8	N/A	1/8	N/A	1/4	N/A
Ambient and Media Temperature	5 ~ 60°C / 40~140°F				5 ~ 60°C / 40~140°F		
Filtration	Standard: 5µm				Standard: 5µm		
Bowl Capacity cm <sup>3</sup>	4	15	15	20	20	45	45
Bowl Material	Polycarbonate				Polycarbonate		
Construction / Regulator	Relieving type				Relieving type		
Accessory (Standard)	Bowl Guard	-	-	-	•	•	•

\*0.7MPa supply, 0.5MPa static set pressure, 0.1MPa pressure drop / 0.05~0.7MPa

### SYMBOLS



### HOW TO ORDER FILTER REGULATOR



### ACCESSORIES FILTER REGULATOR

Filter Element 5µm	
11134-5	.....NAW1000
11294-5B	.....NAW2000
111511-5B	.....NAW3000
11104-5B	.....NAW4000
11173-5B	.....NAW5000
11074-5B	.....NAW6000
Bracket	
B120	.....NAW1000
B220	.....NAW2000
B320	.....NAW3000
B420	.....NAW4000

**FOR MORE TECHNICAL INFORMATION  
ON THIS SERIES, PLEASE REFER TO  
CAT:E5G, N5-G1 & N5-G3**

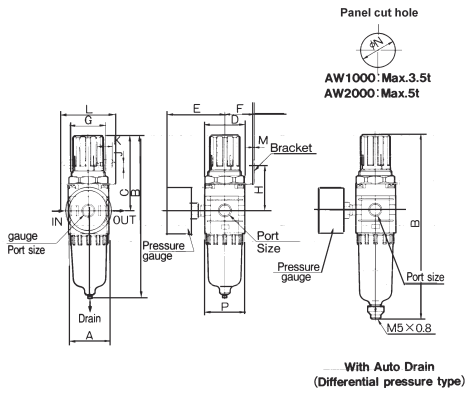
SEE INSIDE FRONT COVER FOR  
DETAILS OF YOUR LOCAL SALES OFFICE

DIMENSIONS  
SEE NEXT PAGE

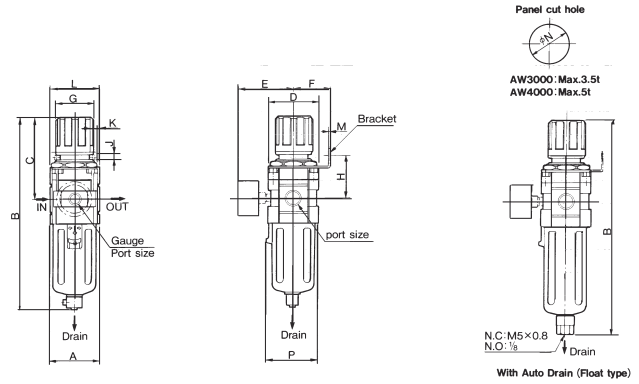


FOR FURTHER TECHNICAL  
DETAILS ON THIS  
PRODUCT REQUEST  
CATALOG REFERENCE  
E5G, N5-G1 & N5-G3

**DIMENSIONS**  
NAW1000•2000

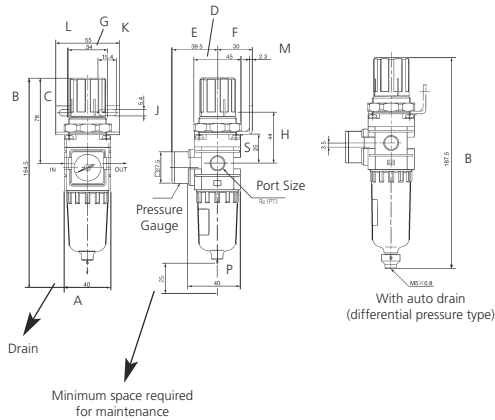


**DIMENSIONS**  
NAW 3000•4000

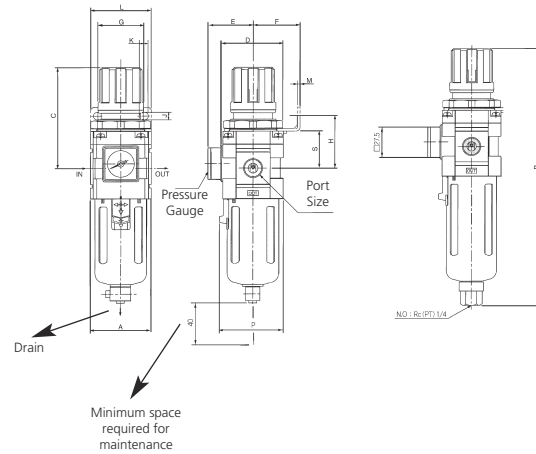


MODEL	A	B	C	D	E	F	G	H	J	K	L	M	ØN	P	With auto drain	
															B	Type
NAW1000	25	109.5	50.5	25	26	25	28	30	4.5	6.5	40	2.0	20.5	28	86.5	Differential pressure
NAW2000	40	164.5	78	40	56.8	30	34	45	5.4	15.4	55	2.3	33.5	40	120.5	Differential pressure
NAW3000	53	211	92.5	53	60.8	41	40	46	6.5	8.0	53	2.3	42.5	56	236.5	Float
NAW4000	70	262.5	112	70	70.5	50	54	54	8.5	10.5	70	2.3	52.5	73	288	Float

**DIMENSIONS**  
NAW2001



**DIMENSIONS**  
NAW3001 - 4001



MODEL	A	B	C	D	E	F	G	H	J	K	L	M	ØN	P	With auto drain	
															B	Type
NAW2001	40	164.5	78	40	56.8	30	34	45	5.4	15.4	55	2.3	33.5	40	120.5	Differential pressure
NAW3001	53	211	92.5	53	60.8	41	40	46	6.5	8.0	53	2.3	42.5	56	236.5	Float
NAW4001	70	262.5	112	70	70.5	50	54	54	8.5	10.5	70	2.3	52.5	73	288	Float



FOR FURTHER TECHNICAL  
DETAILS ON THIS  
PRODUCT REQUEST  
CATALOG REFERENCE  
E5G, N5-G1 & N5-G3