



SERIES NCJ2

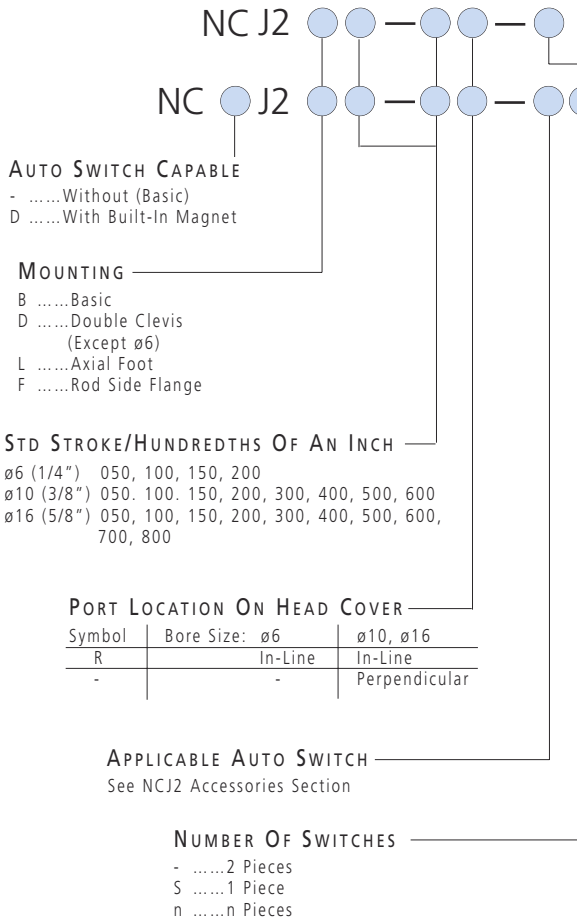
BORE SIZES $\varnothing 6 \cdot 10 \cdot 16$

- ✓ Double Acting Single Rod / Double Rod
- ✓ Single Spring Return / Extend
- ✓ Compact and Lightweight
- ✓ Auto Switch Sensing Optional
- ✓ Non Rotating Piston Rod Optional
- ✓ High Accuracy Mounting



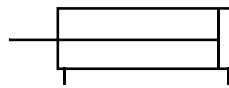
HOW TO ORDER

NCJ2 STANDARD DOUBLE ACTING SINGLE ROD CYLINDER

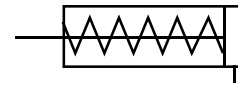


SYMBOLS

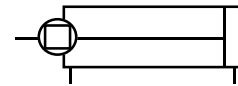
Double Acting/Single Rod



Single Acting/Spring Return



Double Acting/Single Rod Non-Rotating



SPECIAL OPTIONS

- XB6 ...High Temperature
- XB7 ...Low Temperature
- XB9 ...Low Speed Operation

TECHNICAL SPECIFICATIONS

Fluid		Air
Proof Pressure		1MPa / 145 PSI
Maximum Operating Pressure		0.7MPa / 100 PSI
Minimum Operating Pressure	$\varnothing 6$	0.1MPa / 17 PSI
	$\varnothing 10, \varnothing 16$	0.05MPa / 8.5 PSI
Ambient and Fluid Temperature		-10°C~+70°C / 14~158°F
Cushion		Rubber Cushion (Standard)
Lube		None (Non-lube)
Stroke Tolerance		+1.0 0mm +0.04 0inch
Piston Speed		2~29.5 in/s (50~750mm/s)
Allowable Kinetic Energy	$\varnothing 6$	0.10lbf in (0.12kgf cm)
	$\varnothing 10$	0.30lbf in (0.35kgf cm)
	$\varnothing 16$	0.78lbf in (0.9kgf cm)

Mounting Bracket	PART NUMBER OF MOUNTING BRACKETS		
	Bore Size (mm)		
	6	10	16
Foot	NCJ-L006B	NCJ-L010B	NCJ-L016B
Flange	NCJ-F006B	NCJ-F010B	NCJ-F016B

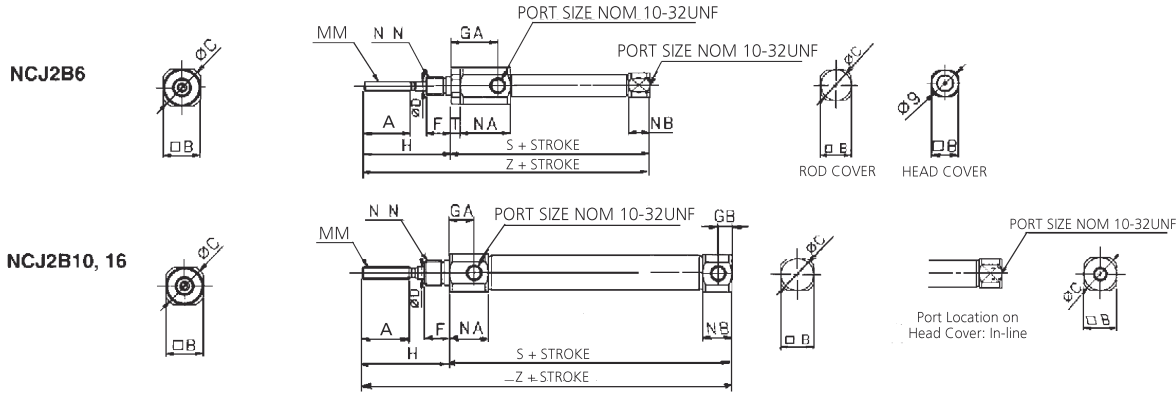
DIMENSIONS
SEE NEXT PAGE

SEE INSIDE FRONT COVER FOR
DETAILS OF YOUR LOCAL SALES OFFICE



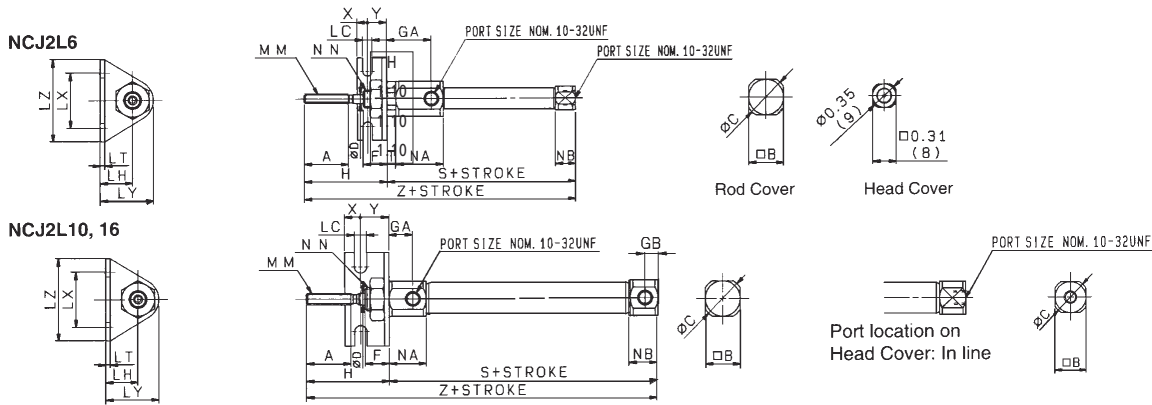
FOR FURTHER TECHNICAL
DETAILS ON THIS
PRODUCT REQUEST
CATALOG REFERENCE
N301

DIMENSIONS (INCH)
STANDARD DOUBLE ACTING SINGLE ROD BASIC TYPE NCJ2B_ _



Bore Size	A	B	C	D	F	GA	GB	H	MM	NN	NA	NB	T	S	Z
ø6 (1/4")	0.60	0.47	0.55	0.125	0.31	0.57	-	1.10	No5-40UNC	1/4-28UNF	0.63	0.28	0.12	1.93	3.03
ø10 (3/8")	0.60	0.47	0.55	0.157	0.31	0.31	0.196	1.10	No6-40UNF	5/16-24UNF	0.49	0.37	-	1.81	2.91
ø16 (5/8")	0.60	0.71	0.79	0.196	0.31	0.31	0.196	1.10	No10-32UNF	3/8-24UNF	0.49	0.37	-	1.85	2.95

DIMENSIONS (INCH)
STANDARD DOUBLE ACTING SINGLE ROD FOOT TYPE NCJ2L_ _

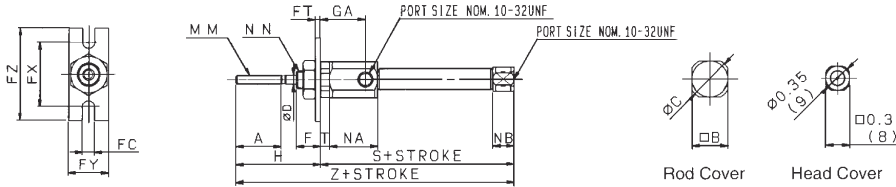


Bore Size	A	B	C	D	F	GA	GB	H	LC	LH	LT	LX	LY	LZ	MM	NN	NA	NB	T	X	Y	S	Z
ø6 (1/4")	0.60	0.47	0.55	0.125	0.31	0.57	-	1.10	0.13	0.43	0.06	0.74	0.71	1.10	No5-40UNC	1/4-28UNF	0.63	0.28	0.12	0.14	0.26	1.93	3.03
ø10 (3/8")	0.60	0.47	0.55	0.157	0.31	0.31	0.196	1.10	0.17	0.55	0.06	0.87	0.83	1.26	No6-40UNF	5/16-24UNF	0.49	0.37	-	0.21	0.38	1.81	2.91
ø16 (5/8")	0.60	0.71	0.79	0.196	0.31	0.31	0.196	1.10	0.20	0.55	0.09	1.18	0.94	1.38	No10-32UNF	3/8-24UNF	0.49	0.37	-	0.21	0.38	1.85	2.95

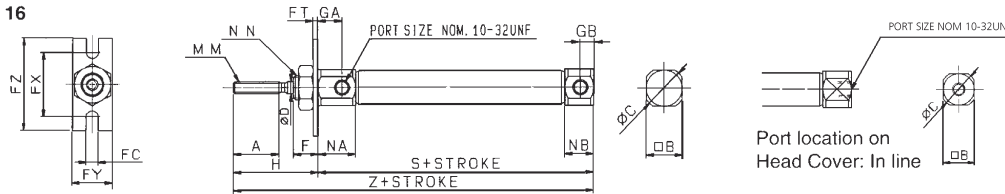
DIMENSIONS (INCH)

STANDARD DOUBLE ACTING SINGLE ROD ROD SIDE FLANGE TYPE NCJ2F_ _

NCJ2F6



NCJ2F10, 16

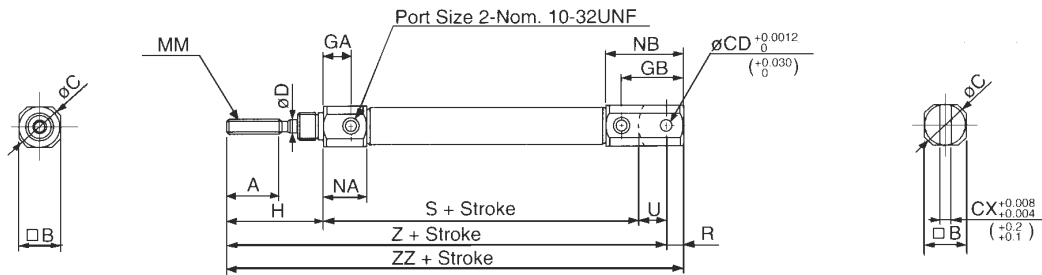


Bore Size	A	B	C	D	F	FC	FT	FX	FY	FZ	GA	GB	H	MM	NN	NA	NB	T	S	Z
$\phi 6$ (1/4")	0.60	0.47	0.55	0.125	0.31	0.13	0.06	0.74	0.55	1.10	0.57	-	1.10	No5-40UNC	1/4-28UNF	0.63	0.28	0.12	1.93	3.03
$\phi 10$ (3/8")	0.60	0.47	0.55	0.157	0.31	0.17	0.06	0.87	0.55	1.26	0.31	.196	1.10	No6-40UNF	5/16-24UNF	0.49	0.37	-	1.81	2.91
$\phi 16$ (5/8")	0.60	0.71	0.79	0.196	0.31	0.20	0.09	1.18	0.79	1.38	0.31	.196	1.10	No10-32UNF	3/8-24UNF	0.49	0.37	-	1.85	2.95

DIMENSIONS (INCH)

STANDARD DOUBLE ACTING SINGLE ROD DOUBLE CLEVIS TYPE NCJ2D_ _

NCJ2D10, 16



Bore Size	A	B	C	CD	CX	D	GA	GB	H	MM	NA	NB	R	S	U	Z	ZZ
$\phi 10$ (3/8")	0.60	0.47	0.55	0.187	0.188	0.157	0.31	0.75	1.10	No6-40UNF	0.49	0.93	0.24	1.81	0.31	3.22	3.46
$\phi 16$ (5/8")	0.60	0.71	0.79	0.187	0.188	0.196	0.31	0.91	1.10	No10-32UNF	0.49	1.08	0.31	1.85	0.39	3.35	3.66

SEE INSIDE FRONT COVER FOR
DETAILS OF YOUR LOCAL SALES OFFICE



FOR FURTHER TECHNICAL
DETAILS ON THIS
PRODUCT REQUEST
CATALOG REFERENCE
N301

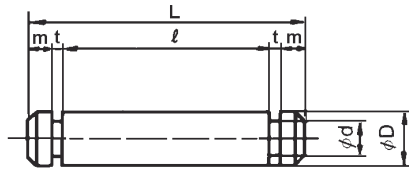
ACCESSORIES
SERIES NCJ2 AIR CYLINDER

NCY2 ACCESSORIES	PART NO	APPLICABLE DIAMETER
Rear Clevis Pin	NCD-J010	ø10
	NCD-J016	ø16
Double Rod Clevis	NY-J010B	ø10
	NY-J016B	ø16
Rod Jam Nut	JM-005	ø8
	JM-006	ø10
	JM-02	ø16
Mounting Nut	JM-025	ø8
	JM-03	ø10
	JM-04	ø16

ACCESSORIES
SERIES NCJ2 SWITCH BANDS

BORE SIZE	PART NO
ø6	BJ2-006
ø10	BJ2010
ø16	BJ2-016

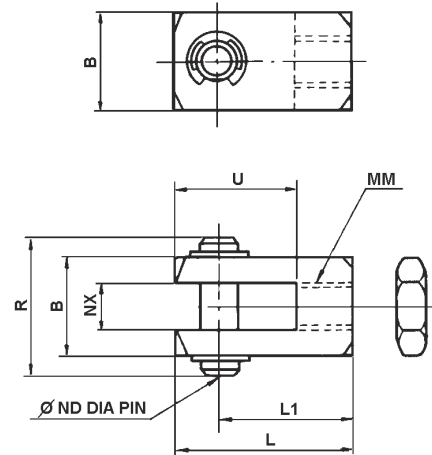
ACCESSORIES
SERIES NCJ2 REAR CLEVIS PIN



PART No	BORE SIZE	øD	L	ød	e	M	t
NCD-J010	ø10 (3/8")	0.188	0.59	0.147	0.48	0.03	0.03
NCD-J016	ø16 (5/8")	0.187	0.90	0.147	0.72	0.06	0.03

Note) includes 2 Retaining Ring

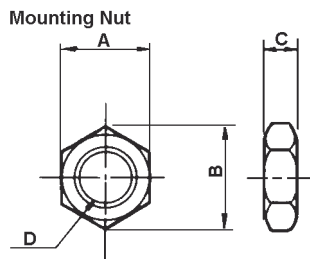
ACCESSORIES
SERIES NCJ2 PISTON ROD CLEVIS



PART No	BORE SIZE	B	R	NX	øND	U	MM	L	L1
NY-J010B	ø10 (3/8")	0.39	0.54	0.188	0.188	0.56	No6-40UNF	0.94	0.75
NY-J016B	ø16 (5/8")	0.39	0.54	0.188	0.188	0.56	No10-32UNF	0.94	0.75

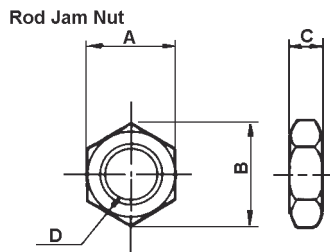
Note) includes Rod Jam Nut, Clevis Pin and 2 Retaining Rings

ACCESSORIES
SERIES NCJ2 MOUNTING NUT



PART No	BORE SIZE	A	B	C	D
JM-025	ø6 (1/4")	0.44	0.50	0.16	1/4-28UNF
JM-03	ø10 (3/8")	0.50	0.58	0.19	5/16-24UNF
JM-04	ø16 (5/8")	0.56	0.65	0.23	3/8-24UNF

ACCESSORIES
SERIES NCJ2 ROD JAM NUT



PART No	BORE SIZE	A	B	C	D
JM-005	ø6 (1/4")	0.31	0.11	0.11	5-40UNC
JM-006	ø10 (3/8")	0.31	0.36	0.11	6-40UNF
JM-02	ø16 (5/8")	0.38	0.43	0.13	10-32UNF

ACCESSORIES
AUTO SWITCHES

Note: Pre-wired Switches with 3/4 Pin Connectors available, please consult SMC Customer Service

MODEL	LEAD WIRE ENTRY	APPLICATIONS	LOAD VOLTAGE	MAX LOAD CURRENT/LOAD CURRENT RANGE
D-C73	Grommet	PLC	24 VDC	5 ~ 40 mA
			110VAC	5 ~ 20 mA
D-C76	Grommet	PLC	4 ~ 8 VDC	20 mA
			24V AC/DC or less	50mA
D-C80	Grommet	PLC	48V AC/DC	40mA
			100V AC/DC	20mA
			24 VDC	5 ~ 40 mA
D-C73C	Connector	PLC	24 VDC	5 ~ 40 mA
D-C80C	Connector	PLC	24V AC/DC	50 mA
			or less	
D-H7A1	Grommet	PLC	28 VDC	40 mA
D-H7A2	Grommet	PLC	28 VDC	80 mA
D-H7B	Grommet	24VDC	24 VDC	5 ~ 40 mA
D-H7C	Connector	PLC	(10~28 VDC)	