

Compact Cylinder Single Acting, Single Rod Series **NCQ8**

Bore size: 056 (9/16"), 075 (3/4"), 106 (1-1/16"), 150 (1-1/2"), 200 (2"), 250 (2-1/2")

How to Order

Without auto switch

NCQ8 B 056 025 S

With auto switch

NCDQ8 B 056 025 S M9B S

Built-in magnet

Mounting

B	Through-hole
A	Both end tapped
C	Rear clevis
E	Front screw clearance hole
M	Rear screw clearance hole
N	Through screw clearance hole

Overall length type

Nil	Standard
Z	Super compact

Nominal bore size

056	9/16"
075	3/4"
106	1-1/16"
150	1-1/2"
200	2"
250	2-1/2"

Cylinder stroke (in)

Symbol	Stroke	Symbol	Stroke	Symbol	Stroke
012	1/8"	062	5/8"	125	1-1/4"
025 ^{Note 1)}	1/4"	075	3/4"	150	1-1/2"
037	3/8"	087	7/8"	175	1-3/4"
050	1/2"	100	1"	200	2"

Note 1) With switch is available on strokes 025 (1/4") and greater.

Number of auto switches

Nil	2 pcs.
S	1 pc.
n	"n" pcs.

Auto switch type

Nil	Without auto switch (Built-in magnet cylinder)
------------	--

*Refer to the table below for auto switch model numbers.
*Auto switches are shipped together, (but not assembled).

Body option

Nil	Standard (Female rod end)
M	Male rod end

Actuation

S	Single acting, Spring return
T	Single acting, Spring extend

Applicable Auto Switches

Type	Special function	Electrical entry	Indicator light	Wiring (output)	Load voltage			Auto switch model		Lead wire length (in)*			Applicable load	
					DC		AC	Perpendicular	In-line	20 (0.5m) (Nil)	118 (3m) (L)	197 (5m) (Z)		
					—	5 V	—							
Reed switch	—	Grommet	Yes	3-wire (NPN equiv.)	—	5 V	—	A96V	A96	●	●	—	IC circuit	—
				2-wire	24 V	5 V, 12 V	100 V	A90V	A90	●	●	—	IC circuit	Relay, PLC
					12 V	—	—	A93V	A93	●	●	—	—	
Solid state switch	—	Grommet	—	3-wire (NPN)	24 V	5 V, 12 V	—	M9NV	M9N	●	●	○	IC circuit	Relay, PLC
				3-wire (PNP)				M9PV	M9P	●	●	○	—	
				2-wire				M9BV	M9B	●	●	○	—	
		Grommet	Yes	3-wire (NPN)	5 V, 12 V	F9NWV	F9NW	●	●	○	IC circuit			
				3-wire (PNP)		F9PWV	F9PW	●	●	○	—			
				2-wire		F9BWW	F9BW	●	●	○	—			
						—	F9BA	—	●	○	—			

*Lead wire length symbols: 20in (0.5 m)Nil (Example) M9N
118in (3 m) L M9NL
197in (5 m)Z M9NZ

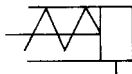
*Solid state switches marked with a "○" symbol are produced upon receipt of order.

Compact Cylinder *Series NCQ8*

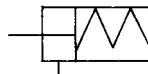


JIS Symbol

Single acting,
Single return



Single acting,
Spring extend



Specifications

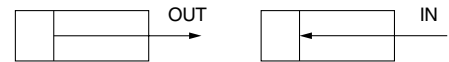
Bore size	056 (9/16")	075 (3/4")	106 (1-1/16")	150 (1-1/2")	200 (2")	250 (2-1/2")
Piping size	#10-32UNF	#10-32UNF	NPT1/8	NPT1/8	NPT1/8	NPT1/4
Type	Pneumatic (Non-lube)					
Fluid	Air					
Proof pressure	300PSI (2.1MPa)					
Maximum operating pressure	200PSI (1.4MPa)					
Minimum operating pressure	056	37PSI (0.25MPa)				
	075, 106	26PSI (0.18MPa)				
	150	22PSI (0.15MPa)				
	200, 250	19PSI (0.13MPa)				
Ambient and fluid temperature	Without auto switch	15 to 150°F(-10 to 65°C) (No freezing)				
	With switch	15 to 140°F(-10 to 60°C) (No freezing)				
Cushion	Rubber bumper					
Rod end thread tolerance	Class 2					
Stroke tolerance	0 to +0.04 in (+1.0mm)					
Mounting	Through-hole (B), Both ends tapped (A), Clevis SCH (E, M, N)					
Piston speed	2 to 20in/sec (50 to 500mm/s)					

Applicable Stroke

Unit: inch

Bore size	Standard stroke
056 (9/16")	012 (1/8"), 025 (1/4"), 037 (3/8"), 050 (1/2") 062 (5/8"), 075 (3/4"), 087 (7/8"), 100 (1") 125 (1-1/4"), 150 (1-1/2"), 175 (1-3/4"), 200 (2")
075 (3/4")	
106 (1-1/16")	
150 (1-1/2")	
200 (2")	
250 (2-1/2")	

* With switch is available on strokes 025 (1/4") and greater.



Spring Reaction Force

Single Acting, Spring Return
Single Acting, Spring Extend

Unit: lbs

Bore size (in)	Stroke	Spring reaction force	
		Inlet	Outlet
056 (9/16")	012 (1/8") to 100 (1")	0.76	3.06
	125 (1-1/4") to 200 (2")	0.67	
075 (3/4")	012 (1/8") to 100 (1")	1.42	3.42
	125 (1-1/4") to 200 (2")	1.33	
106 (1-1/16")	012 (1/8") to 100 (1")	2.50	3.73
	125 (1-1/4") to 200 (2")	2.47	
150 (1-1/2")	012 (1/8") to 100 (1")	4.00	6.79
	125 (1-1/4") to 200 (2")	4.09	
200 (2")	012 (1/8") to 100 (1")	6.11	12.1
	125 (1-1/4") to 200 (2")	7.53	
250 (2-1/2")	012 (1/8") to 100 (1")	14.7	13.9
	125 (1-1/4") to 200 (2")	13.9	

Theoretical Output Table

Single Acting, Spring Return

Unit: lbs

Bore size (in)	Pressure (MPa)			
	45 (0.3)	75 (0.5)	145 (1.0)	200 (1.4)
056 (9/16")	8.02	15.2	32.7	45.9
075 (3/4")	16.4	29.3	60.6	84.4
106 (1-1/16")	35.9	61.5	124	171
150 (1-1/2")	72.7	124	249	344
200 (2")	129	220	443	612
250 (2-1/2")	206	348	697	961

Single Acting, Spring Extend

Unit: lbs

Bore size (in)	Pressure (MPa)			
	45 (0.3)	75 (0.5)	145 (1.0)	200 (1.4)
056 (9/16")	5.81	11.5	25.5	36.1
075 (3/4")	13.0	23.6	49.5	69.1
106 (1-1/16")	27.1	47.0	95.8	133
150 (1-1/2")	58.9	101	205	283
200 (2")	109	188	379	524
250 (2-1/2")	186	316	633	873

Option Weights

Unit: OZ

Bore size (in)	Clevis
056 (9/16")	0.71
075 (3/4")	0.93
106 (1-1/16")	1.64
150 (1-1/2")	4.16
200 (2")	6.04
250 (2-1/2")	8.74

Series NCQ8

Weights

Single Acting, Spring Return Without Built-in Magnet

(OZ)

Model \ Stroke	012 (1/8")	025 (1/4")	037 (3/8")	050 (1/2")	062 (5/8")	075 (3/4")	087 (7/8")	100 (1")	125 (1-1/4")	150 (1-1/2")	175 (1-3/4")	200 (2")
NCQ8□056-□S	1.20	1.35	1.49	1.63	1.77	1.91	2.05	2.19	3.25	3.53	3.81	4.10
NCQ8□075-□S	1.87	2.08	2.29	2.50	2.71	2.91	3.12	3.29	4.10	4.52	4.93	4.36
NCQ8□106-□S	3.37	3.74	4.11	4.48	4.85	5.22	5.60	5.97	9.49	10.3	11.0	11.8
NCQ8□150-□S	6.35	6.89	7.43	7.97	8.51	9.05	9.59	10.2	15.5	16.6	17.6	18.7
NCQ8□200-□S	8.98	9.77	10.6	11.4	12.2	13.0	13.8	14.6	16.2	17.8	19.3	20.9
NCQ8□250-□S	14.5	15.3	16.1	16.9	17.7	18.5	19.4	20.2	21.8	23.4	25.0	26.9

Built-in Magnet

(OZ)

Model \ Stroke	012 (1/8")	025 (1/4")	037 (3/8")	050 (1/2")	062 (5/8")	075 (3/4")	087 (7/8")	100 (1")	125 (1-1/4")	150 (1-1/2")	175 (1-3/4")	200 (2")
NCDQ8□056-□S	—	2.53	2.67	2.81	2.95	3.09	3.23	3.37	4.43	4.71	5.00	5.28
NCDQ8□075-□S	—	3.99	4.20	4.40	4.61	4.82	5.03	5.22	6.00	6.42	6.84	6.27
NCDQ8□106-□S	—	7.09	7.46	7.83	8.21	8.58	8.95	9.32	12.9	13.6	14.4	15.1
NCDQ8□150-□S	—	12.6	13.1	13.6	14.2	14.7	15.3	15.8	21.1	22.2	23.3	24.3
NCDQ8□200-□S	—	18.0	18.8	19.6	20.4	21.2	22.0	22.7	24.3	25.9	27.5	29.1
NCDQ8□250-□S	—	25.5	26.3	27.1	27.9	28.7	29.5	30.3	32.0	33.6	35.2	36.8

Super Compact with Built-in Magnet

(OZ)

Model \ Stroke	012 (1/8")	025 (1/4")	037 (3/8")	050 (1/2")	062 (5/8")	075 (3/4")	087 (7/8")	100 (1")	125 (1-1/4")	150 (1-1/2")	175 (1-3/4")	200 (2")
NCDQ8□Z056-□S	—	2.00	2.14	2.28	2.42	2.56	2.70	2.84	3.90	4.18	4.47	4.75
NCDQ8□Z075-□S	—	3.16	3.37	3.57	3.78	3.99	4.20	4.41	5.18	5.59	6.01	5.44
NCDQ8□Z106-□S	—	5.15	5.52	5.90	6.27	6.64	7.01	7.38	10.9	11.7	12.4	13.2
NCDQ8□Z150-□S	—	9.19	9.73	10.3	10.9	11.4	11.9	12.5	17.8	18.9	19.9	21.0
NCDQ8□Z200-□S	—	12.6	13.4	14.2	15.0	15.8	16.6	17.4	19.0	20.5	22.1	23.7
NCDQ8□Z250-□S	—	18.8	19.6	20.4	21.2	22.1	22.9	23.7	25.3	26.9	28.5	30.2

Single Acting, Spring Extend Without Built-in Magnet

(OZ)

Model \ Stroke	012 (1/8")	025 (1/4")	037 (3/8")	050 (1/2")	062 (5/8")	075 (3/4")	087 (7/8")	100 (1")	125 (1-1/4")	150 (1-1/2")	175 (1-3/4")	200 (2")
NCQ8□056-□T	1.42	1.56	1.70	1.84	1.98	2.12	2.26	2.40	3.34	3.62	3.90	4.18
NCQ8□075-□T	2.19	2.40	2.61	2.82	3.02	3.23	3.44	3.65	5.02	5.43	5.85	4.36
NCQ8□106-□T	4.96	5.33	5.70	6.07	6.44	6.81	7.18	7.55	10.3	11.0	11.8	12.5
NCQ8□150-□T	8.12	8.66	9.20	9.74	10.3	10.9	11.4	11.9	16.3	17.4	18.5	19.5
NCQ8□200-□T	12.2	13.0	13.8	14.6	15.4	16.2	17.0	17.8	19.4	20.9	22.5	24.1
NCQ8□250-□T	20.6	21.4	22.2	23.0	23.8	24.6	25.5	26.3	27.9	29.5	31.1	33.0

Built-in Magnet

(OZ)

Model \ Stroke	012 (1/8")	025 (1/4")	037 (3/8")	050 (1/2")	062 (5/8")	075 (3/4")	087 (7/8")	100 (1")	125 (1-1/4")	150 (1-1/2")	175 (1-3/4")	200 (2")
NCDQ8□056-□T	—	2.74	2.88	3.02	3.16	3.30	3.44	3.58	4.52	4.80	5.08	5.37
NCDQ8□075-□T	—	4.37	4.58	4.73	5.00	5.21	5.42	5.58	6.39	6.81	7.22	6.27
NCDQ8□106-□T	—	8.68	9.05	9.42	9.79	10.2	10.6	10.9	13.6	14.4	15.1	15.9
NCDQ8□150-□T	—	13.2	13.7	14.2	14.8	15.3	15.9	16.4	20.7	21.8	22.9	24.0
NCDQ8□200-□T	—	21.1	21.9	22.7	23.5	24.2	25.0	25.8	27.4	29.0	30.6	32.2
NCDQ8□250-□T	—	31.6	32.4	33.2	34.0	34.8	35.6	36.4	38.1	39.7	41.3	42.9

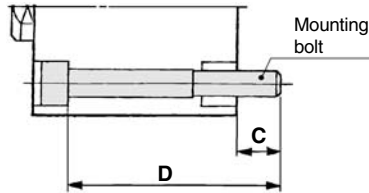
Super Compact with Built-in Magnet

(OZ)

Model \ Stroke	012 (1/8")	025 (1/4")	037 (3/8")	050 (1/2")	062 (5/8")	075 (3/4")	087 (7/8")	100 (1")	125 (1-1/4")	150 (1-1/2")	175 (1-3/4")	200 (2")
NCDQ8□Z056-□T	—	2.21	2.35	2.49	2.63	2.77	2.91	3.06	3.99	4.27	4.55	4.84
NCDQ8□Z075-□T	—	3.55	3.75	3.96	4.17	4.38	4.59	4.79	5.56	5.98	6.40	5.44
NCDQ8□Z106-□T	—	6.74	7.11	7.48	7.85	8.22	8.59	8.96	11.7	12.4	13.2	13.9
NCDQ8□Z150-□T	—	10.9	11.5	12.0	12.5	13.1	13.6	14.2	18.5	19.6	20.7	21.8
NCDQ8□Z200-□T	—	15.7	16.5	17.3	18.1	18.9	19.7	20.5	22.1	23.7	25.3	26.9
NCDQ8□Z250-□T	—	24.9	25.7	26.5	27.3	28.2	29.0	29.8	31.4	33.0	34.6	36.3

Mounting Bolt

Mounting method: Mounting bolt for through-hole style of NCQ8B is available as an option.



Mounting Bolt Size for NCQ8B056 to 250-□S (Without Auto Switch)

(Inch)

Model	C	D	Bolt size	
NCQ8B056-012S	0.18	1	#4-40UNC-1	
025S		1-1/8	1-1/8	
037S		1-1/4	1-1/4	
050S		1-3/8	1-3/8	
062S		1-1/2	1-1/2	
075S		1-5/8	1-5/8	
087S		1-3/4	1-3/4	
100S		1-7/8	1-7/8	
125S		0.25	2-3/4	2-3/4
150S			3	3
175S	3-1/4		3-1/4	
200S	3-1/2		3-1/2	
NCQ8B075-012S	0.21	1	#6-32UNC-1	
025S		1-1/8	1-1/8	
037S		1-1/4	1-1/4	
050S		1-3/8	1-3/8	
062S		1-1/2	1-1/2	
075S		1-5/8	1-5/8	
087S		1-3/4	1-3/4	
100S		1-7/8	1-7/8	
125S		0.27	2-3/4	2-3/4
150S			3	3
175S	3-1/4		3-1/4	
200S	3-1/2		3-1/2	
NCQ8B106-012S	0.27	1-1/8	#6-32UNC- 1-1/8	
025S		1-1/4	1-1/4	
037S		1-3/8	1-3/8	
050S		1-1/2	1-1/2	
062S		1-5/8	1-5/8	
075S		1-3/4	1-3/4	
087S		1-7/8	1-7/8	
100S		2	2	
125S		2-7/8	2-7/8	
150S		3-1/8	3-1/8	
175S		3-3/8	3-3/8	
200S		3-5/8	3-5/8	

Model	C	D	Bolt size	
NCQ8B150-012S	0.33	1-1/8	#10-24UNC- 1-1/8	
025S		1-1/4	1-1/4	
037S		1-3/8	1-3/8	
050S		1-1/2	1-1/2	
062S		1-5/8	1-5/8	
075S		1-3/4	1-3/4	
087S		1-7/8	1-7/8	
100S		2	2	
125S		0.45	3	3
150S			3-1/4	3-1/4
175S	3-1/2		3-1/2	
200S	3-3/4		3-3/4	
NCQ8B200-012S	0.39	1-1/4	#10-24UNC- 1-1/4	
025S		1-3/8	1-3/8	
037S		1-1/2	1-1/2	
050S		1-5/8	1-5/8	
062S		1-3/4	1-3/4	
075S		1-7/8	1-7/8	
087S		2	2	
100S		2-1/8	2-1/8	
125S		3	3	
150S		3-1/4	3-1/4	
175S	3-1/2	3-1/2		
200S	3-3/4	3-3/4		
NCQ8B250-012S	0.45	1-1/2	1/4-20UNC- 1-1/2	
025S		1-5/8	1-5/8	
037S		1-3/4	1-3/4	
050S		1-7/8	1-7/8	
062S		2	2	
075S		2-1/8	2-1/8	
087S		2-1/4	2-1/4	
100S		2-3/8	2-3/8	
125S		3-1/2	3-1/2	
150S		3-3/4	3-3/4	
175S		4	4	
200S		4-1/4	4-1/4	

Series NCDQ8

Mounting Bolt Size for NCDQ8B056 to 250-□S (With Auto Switch)

(Inch)

Model	C	D	Bolt size	
NCDQ8B056-025S	0.18	1-3/4	#4-40UNC- 1-3/4	
037S		1-7/8	1-7/8	
050S		2	2	
062S		2-1/8	2-1/8	
075S		2-1/4	2-1/4	
087S		2-3/8	2-3/8	
100S		2-1/2	2-1/2	
125S		0.25	3-3/8	3-3/8
150S			3-5/8	3-5/8
175S			3-7/8	3-7/8
200S	4-1/8		4-1/8	
NCDQ8B075-025S	0.21	2	#6-32UNC- 2	
037S		2-1/8	2-1/8	
050S		2-1/4	2-1/4	
062S		2-3/8	2-3/8	
075S		2-1/2	2-1/2	
087S		2-5/8	2-5/8	
100S		2-3/4	2-3/4	
125S		0.27	3-5/8	3-5/8
150S			3-7/8	3-7/8
175S			4-1/8	4-1/8
200S	4-3/8		4-3/8	
NCDQ8B106-025S	0.27	2-1/8	#6-32UNC- 2-1/8	
037S		2-1/4	2-1/4	
050S		2-3/8	2-3/8	
062S		2-1/2	2-1/2	
075S		2-5/8	2-5/8	
087S		2-3/4	2-3/4	
100S		2-7/8	2-7/8	
125S		3-3/4	3-3/4	
150S		4	4	
175S		4-1/4	4-1/4	
200S	4-1/2	4-1/2		

Model	C	D	Bolt size
NCDQ8B150-025S	0.33	2-1/8	#10-24UNC- 2-1/8
037S		2-1/4	2-1/4
050S		2-3/8	2-3/8
062S		2-1/2	2-1/2
075S		2-5/8	2-5/8
087S		2-3/4	2-3/4
100S		2-7/8	2-7/8
125S		3-3/4	3-3/4
150S		4	4
175S		4-1/4	4-1/4
200S	4-1/2	4-1/2	
NCDQ8B200-025S	0.39	2-1/4	#10-24UNC- 2-1/4
037S		2-3/8	2-3/8
050S		2-1/2	2-1/2
062S		2-5/8	2-5/8
075S		2-3/4	2-3/4
087S		2-7/8	2-7/8
100S		3	3
125S		3-7/8	3-7/8
150S		4-1/8	4-1/8
175S		4-3/8	4-3/8
200S	4-5/8	4-5/8	
NCDQ8B250-025S	0.45	2-1/2	1/4-20UNC- 2-1/2
037S		2-5/8	2-5/8
050S		2-3/4	2-3/4
062S		2-7/8	2-7/8
075S		3	3
087S		3-1/8	3-1/8
100S		3-1/4	3-1/4
125S		4-3/8	4-3/8
150S		4-5/8	4-5/8
175S		4-7/8	4-7/8
200S	5-1/8	5-1/8	

Mounting Bolt Size for NCDQ8BZ056 to 250-□S (With Auto Switch)

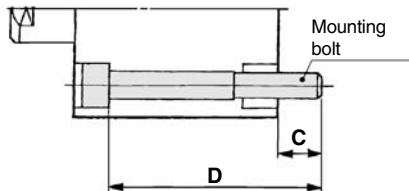
(Inch)

Model	C	D	Bolt size	
NCDQ8BZ056-025S	0.19	1-1/2	#4-40UNC-1-1/2	
037S		1-5/8	1-5/8	
050S		1-3/4	1-3/4	
062S		1-7/8	1-7/8	
075S		2	2	
087S		2-1/8	2-1/8	
100S		2-1/4	2-1/4	
125S		0.25	3-1/8	3-1/8
150S			3-3/8	3-3/8
175S			3-5/8	3-5/8
200S	3-7/8		3-7/8	
NCDQ8BZ075-025S	0.21	1-1/2	#6-32UNC- 1-1/2	
037S		1-5/8	1-5/8	
050S		1-3/4	1-3/4	
062S		1-7/8	1-7/8	
075S		2	2	
087S		2-1/8	2-1/8	
100S		2-1/4	2-1/4	
125S		0.27	3-1/8	3-1/8
150S			3-3/8	3-3/8
175S			3-5/8	3-5/8
200S	3-7/8		3-7/8	
NCDQ8BZ106-025S	0.27	1-5/8	#6-32UNC- 1-5/8	
037S		1-3/4	1-3/4	
050S		1-7/8	1-7/8	
062S		2	2	
075S		2-1/8	2-1/8	
087S		2-1/4	2-1/4	
100S		2-3/8	2-3/8	
125S		3-1/4	3-1/4	
150S		3-1/2	3-1/2	
175S		3-3/4	3-3/4	
200S	4	4		

Model	C	D	Bolt size
NCDQ8BZ150-025S	0.33	1-5/8	#10-24UNC- 1-5/8
037S		1-3/4	1-3/4
050S		1-7/8	1-7/8
062S		2	2
075S		2-1/8	2-1/8
087S		2-1/4	2-1/4
100S		2-3/8	2-3/8
125S		3-1/4	3-1/4
150S		3-1/2	3-1/2
175S		3-3/4	3-3/4
200S	4	4	
NCDQ8BZ200-025S	0.39	1-5/8	#10-24UNC- 1-5/8
037S		1-3/4	1-3/4
050S		1-7/8	1-7/8
062S		2	2
075S		2-1/8	2-1/8
087S		2-1/4	2-1/4
100S		2-3/8	2-3/8
125S		2-5/8	3-1/4
150S		2-7/8	3-1/2
175S		3-1/8	3-3/4
200S	3-3/8	4	
NCDQ8BZ250-025S	0.45	1-7/8	1/4-20UNC- 1-7/8
037S		2	2
050S		2-1/8	2-1/8
062S		2-1/4	2-1/4
075S		2-3/8	2-3/8
087S		2-1/2	2-1/2
100S		2-5/8	2-5/8
125S		3-3/4	3-3/4
150S		4	4
175S		4-1/4	4-1/4
200S	4-1/2	4-1/2	

Mounting Bolt

Mounting method: Mounting bolt for through-hole style of NCQ8B is available as an option.



Mounting Bolt Size for NCQ8B056 to 250-□T (Without Auto Switch)

(Inch)

Model	C	D	Bolt size	
NCQ8B056-012T	0.19	1-1/4	#4-40UNC- 1-1/4	
025T		1-3/8	1-3/8	
037T		1-1/2	1-1/2	
050T		1-5/8	1-5/8	
062T		1-3/4	1-3/4	
075T		1-7/8	1-7/8	
087T		2	2	
100T		2-1/8	2-1/8	
125T		0.25	3	3
150T			3-1/4	3-1/4
175T	3-1/2		3-1/2	
200T	3-3/4		3-3/4	
NCQ8B075-012T	0.21	1-1/4	#6-32UNC- 1-1/4	
025T		1-3/8	1-3/8	
037T		1-1/2	1-1/2	
050T		1-5/8	1-5/8	
062T		1-3/4	1-3/4	
075T		1-7/8	1-7/8	
087T		2	2	
100T		2-1/8	2-1/8	
125T		0.27	3	3
150T			3-1/4	3-1/4
175T	3-1/2		3-1/2	
200T	3-3/4		3-3/4	
NCQ8B106-012T	0.27	1-5/8	#6-32UNC- 1-5/8	
025T		1-3/4	1-3/4	
037T		1-7/8	1-7/8	
050T		2	2	
062T		2-1/8	2-1/8	
075T		2-1/4	2-1/4	
087T		2-3/8	2-3/8	
100T		2-1/2	2-1/2	
125T		3-3/8	3-3/8	
150T		3-5/8	3-5/8	
175T		3-7/8	3-7/8	
200T		4-1/8	4-1/8	

Model	C	D	Bolt size
NCQ8B150-012T	0.33	1-5/8	#10-24UNC- 1-5/8
025T		1-3/4	1-3/4
037T		1-7/8	1-7/8
050T		2	2
062T		2-1/8	2-1/8
075T		2-1/4	2-1/4
087T		2-3/8	2-3/8
100T		2-1/2	2-1/2
125T		3-3/8	3-3/8
150T		3-5/8	3-5/8
175T	3-7/8	3-7/8	
200T	4-1/8	4-1/8	
NCQ8B200-012T	0.39	1-3/4	#10-24UNC- 1-3/4
025T		1-7/8	1-7/8
037T		2	2
050T		2-1/8	2-1/8
062T		2-1/4	2-1/4
075T		2-3/8	2-3/8
087T		2-1/2	2-1/2
100T		2-5/8	2-5/8
125T		3-1/2	3-1/2
150T		3-3/4	3-3/4
175T	4	4	
200T	4-1/4	4-1/4	
NCQ8B250-012T	0.45	2-1/4	1/4-20UNC- 2-1/4
025T		2-3/8	2-3/8
037T		2-1/2	2-1/2
050T		2-5/8	2-5/8
062T		2-3/4	2-3/4
075T		2-7/8	2-7/8
087T		3	3
100T		3-1/8	3-1/8
125T		4-1/4	4-1/4
150T		4-1/2	4-1/2
175T	4-3/4	4-3/4	
200T	5	5	

Series NQ8

Mounting Bolt Size for NCDQ8B056 to 250-□T (With Auto Switch)

(Inch)

Model	C	D	Bolt size	
NCDQ8B056-025T	0.18	1-3/4	#4-40UNC- 1-3/4	
037T		1-7/8	1-7/8	
050T		2	2	
062T		2-1/8	2-1/8	
075T		2-1/4	2-1/4	
087T		2-3/8	2-3/8	
100T		2-1/2	2-1/2	
125T		0.25	3-3/8	3-3/8
150T			3-5/8	3-5/8
175T			3-7/8	3-7/8
200T	4-1/8		4-1/8	
NCDQ8B075-025T	0.21	2-1/4	#6-32UNC- 2-1/4	
037T		2-3/8	2-3/8	
050T		2-1/2	2-1/2	
062T		2-5/8	2-5/8	
075T		2-3/4	2-3/4	
087T		2-7/8	2-7/8	
100T		3	3	
125T		0.27	3-7/8	3-7/8
150T			4-1/8	4-1/8
175T			4-3/8	4-3/8
200T	4-5/8		4-5/8	
NCDQ8B106-025T	0.27	2-5/8	#6-32UNC- 2-5/8	
037T		2-3/4	2-3/4	
050T		2-7/8	2-7/8	
062T		3	3	
075T		3-1/8	3-1/8	
087T		3-1/4	3-1/4	
100T		3-3/8	3-3/8	
125T		4-1/4	4-1/4	
150T		4-1/2	4-1/2	
175T		4-3/4	4-3/4	
200T	5	5		

Model	C	D	Bolt size
NCDQ8B150-025T	0.33	2-5/8	#10-24UNC- 2-5/8
037T		2-3/4	2-3/4
050T		2-7/8	2-7/8
062T		3	3
075T		3-1/8	3-1/8
087T		3-1/4	3-1/4
100T		3-3/8	3-3/8
125T		4-1/4	4-1/4
150T		4-1/2	4-1/2
175T		4-3/4	4-3/4
200T	5	5	
NCDQ8B200-025T	0.39	2-3/4	#10-24UNC- 2-3/4
037T		2-7/8	2-7/8
050T		3	3
062T		3-1/8	3-1/8
075T		3-1/4	3-1/4
087T		3-3/8	3-3/8
100T		3-1/2	3-1/2
125T		4-3/8	4-3/8
150T		4-5/8	4-5/8
175T		4-7/8	4-7/8
200T	5-1/8	5-1/8	
NCDQ8B250-025T	0.45	3-1/4	1/4-20UNC- 3-1/4
037T		3-3/8	3-3/8
050T		3-1/2	3-1/2
062T		3-5/8	3-5/8
075T		3-3/4	3-3/4
087T		3-7/8	3-7/8
100T		4	4
125T		5-1/8	5-1/8
150T		5-3/8	5-3/8
175T		5-5/8	5-5/8
200T	5-7/8	5-7/8	

Mounting Bolt Size for NCDQ8BZ056 to 250-□T (With Auto Switch)

(Inch)

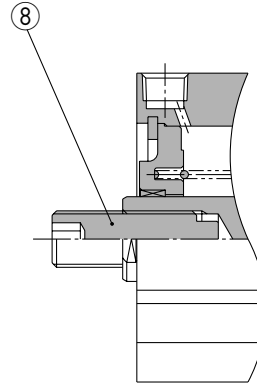
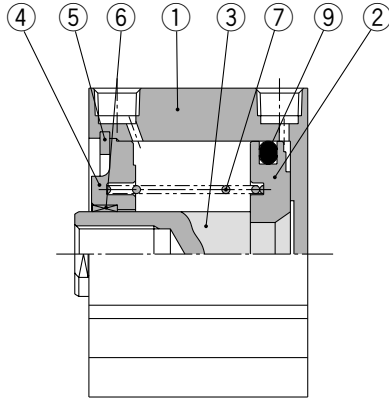
Model	C	D	Bolt size	
NCDQ8BZ056-025T	0.19	1-5/8	#4-40UNC- 1-5/8	
037T		1-3/4	1-3/4	
050T		1-7/8	1-7/8	
062T		2	2	
075T		2-1/8	2-1/8	
087T		2-1/4	2-1/4	
100T		2-3/8	2-3/8	
125T		0.25	3-1/4	3-1/4
150T			3-1/2	3-1/2
175T			3-3/4	3-3/4
200T	4		4	
NCDQ8BZ075-025T	0.21	1-7/8	#6-32UNC- 1-7/8	
037T		2	2	
050T		2-1/8	2-1/8	
062T		2-1/4	2-1/4	
075T		2-3/8	2-3/8	
087T		2-1/2	2-1/2	
100T		2-5/8	2-5/8	
125T		0.27	3-1/2	3-1/2
150T			3-3/4	3-3/4
175T			4	4
200T	4-1/2		4-1/2	
NCDQ8BZ106-025T	0.27	2-1/8	#6-32UNC- 2-1/8	
037T		2-1/4	2-1/4	
050T		2-3/8	2-3/8	
062T		2-1/2	2-1/2	
075T		2-5/8	2-5/8	
087T		2-3/4	2-3/4	
100T		2-7/8	2-7/8	
125T		3-3/4	3-3/4	
150T		4	4	
175T		4-1/4	4-1/4	
200T	4-1/2	4-1/2		

Model	C	D	Bolt size
NCDQ8BZ150-025T	0.33	2-1/8	#10-24UNC- 2-1/8
037T		2-1/4	2-1/4
050T		2-3/8	2-3/8
062T		2-1/2	2-1/2
075T		2-5/8	2-5/8
087T		2-3/4	2-3/4
100T		2-7/8	2-7/8
125T		3-3/4	3-3/4
150T		4	4
175T		4-1/4	4-1/4
200T	4-1/2	4-1/2	
NCDQ8BZ200-025T	0.39	2-1/8	#10-24UNC- 2-1/8
037T		2-1/4	2-1/4
050T		2-3/8	2-3/8
062T		2-1/2	2-1/2
075T		2-5/8	2-5/8
087T		2-3/4	2-3/4
100T		2-7/8	2-7/8
125T		3-3/4	3-3/4
150T		4	4
175T		4-1/4	4-1/4
200T	4-1/2	4-1/2	
NCDQ8BZ250-025T	0.45	2-5/8	1/4-20UNC- 2-5/8
037T		2-3/4	2-3/4
050T		2-7/8	2-7/8
062T		3	3
075T		3-1/8	3-1/8
087T		3-1/4	3-1/4
100T		3-3/8	3-3/8
125T		4-1/2	4-1/2
150T		4-3/4	4-3/4
175T		5	5
200T	5-1/4	5-1/4	

Construction/Single Acting Spring Return

Without auto switch

Here is the typical, cross-sectional construction. For details for each model, refer to the instruction manual.



Parts List

No.	Description	Material	Remarks
1	Cylinder tube	Aluminum alloy	Hard anodized
2	Piston	Aluminum alloy	Chromated
3	Piston rod	Stainless steel	056 to 106
		Carbon steel	150 to 250 Hard chrome plated
4	Collar	Aluminum alloy	056, 075, 106, 200, 250 Anodized
		Stainless steel	150
5	Snap ring	Carbon tool steel	Phosphate coated

Male thread

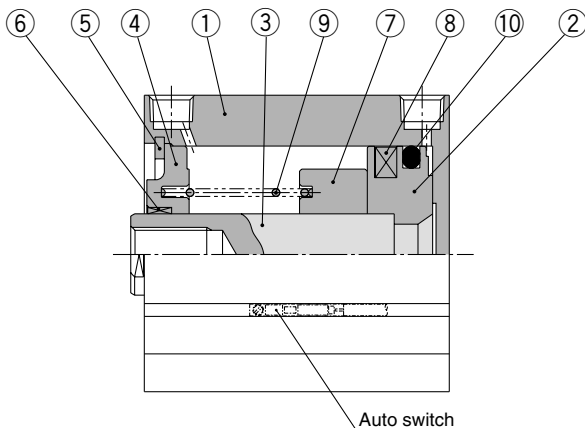
No.	Description	Material	Remarks
6	Bushing	Oil-impregnated sintered alloy	106 only
		Phosphor bronze alloy	150, 200, 250 only
7	Return spring	Piano wire	Zinc chromated
8	Stud	Steel alloy	Electroless nickel plated
9	Piston seal	NBR	

Repair Parts: Seal Kit for Single Acting Spring Return, Single Rod

Bore size	Kit no.	Remarks
056 (9/16")	NCQ8B056-S-PS	Piston seal is included.
075 (3/4")	NCQ8B075-S-PS	
106 (1-1/16")	NCQ8B106-S-PS	
150 (1-1/2")	NCQ8B150-S-PS	
200 (2")	NCQ8B200-S-PS	
250 (2-1/2")	NCQ8B250-S-PS	

With auto switch

Here is the typical, cross-sectional construction. For details for each model, refer to the instruction manual.



Parts List

No.	Description	Material	Remarks
1	Cylinder tube	Aluminum alloy	Hard anodized
2	Piston	Aluminum alloy	Chromated
3	Piston rod	Stainless steel	056 to 106
		Carbon steel	150 to 250 Hard chrome plated
4	Collar	Aluminum alloy	056, 075, 106, 200, 250 Anodized
		Stainless steel	150
5	Snap ring	Carbon tool steel	Phosphate coated
6	Bushing	Oil-impregnated sintered alloy	106 only
		Phosphor bronze alloy	150, 200, 250 only
7	Spacer	Aluminum alloy	Chromated, Use for standard type only.
8	Magnet	—	
9	Return spring	Piano wire	Zinc chromated
10	Piston seal	NBR	

Repair Parts: Seal Kit for Single Acting Spring Return, Single Rod

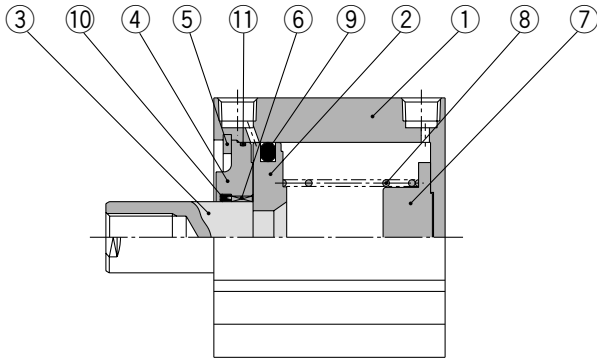
The part number will be the same as the one without auto switches.

Series NCQ8

Construction/Single Acting Spring Extend

Without auto switch

Here is the typical, cross-sectional construction. For details for each model, refer to the instruction manual.



Parts List

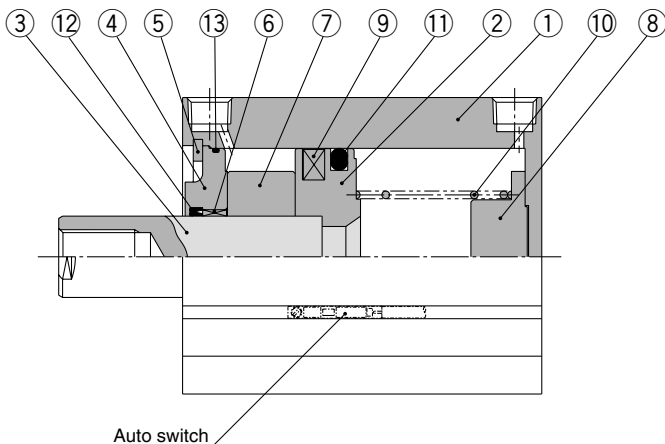
No.	Description	Material	Remarks
1	Cylinder tube	Aluminum alloy	Hard anodized
2	Piston	Aluminum alloy	Chromated
3	Piston rod	Stainless steel	056 to 106
		Carbon steel	150 to 250 Hard chrome plated
4	Collar	Aluminum alloy	Anodized
5	Snap ring	Carbon tool steel	Phosphate coated
6	Bushing	Phosphor bronze alloy	200, 250 only
7	Spacer	Aluminum alloy	Chromated
8	Return spring	Piano wire	Zinc chromated
9	Piston seal	NBR	
10	Rod seal	NBR	
11	Tube gasket	NBR	

Repair Parts: Seal Kit for Single Acting Spring Extend, Single Rod

Bore size	Kit no.	Remarks
056 (9/16")	NCQ8B056-T-PS	Piston seal, rod seal and, tube gasket are included.
075 (3/4")	NCQ8B075-T-PS	
106 (1-1/16")	NCQ8B106-T-PS	
150 (1-1/2")	NCQ8B150-T-PS	
200 (2")	NCQ8B200-T-PS	
250 (2-1/2")	NCQ8B250-T-PS	

With auto switch

Here is the typical, cross-sectional construction. For details for each model, refer to the instruction manual.



Parts List

No.	Description	Material	Remarks
1	Cylinder tube	Aluminum alloy	Hard anodized
2	Piston	Aluminum alloy	Chromated
3	Piston rod	Stainless steel	056 to 106
		Carbon steel	150 to 250 Hard chrome plated
4	Collar	Aluminum alloy	Anodized
5	Snap ring	Carbon tool steel	Phosphate coated
6	Bushing	Phosphor bronze alloy	200, 250 only
7	Spacer	Aluminum alloy	Chromated, Use for standard type only
8	Spacer A	Aluminum alloy	Chromated
9	Magnet	—	
10	Return spring	Piano wire	Zinc chromated
11	Piston seal	NBR	
12	Rod seal	NBR	
13	Tube gasket	NBR	

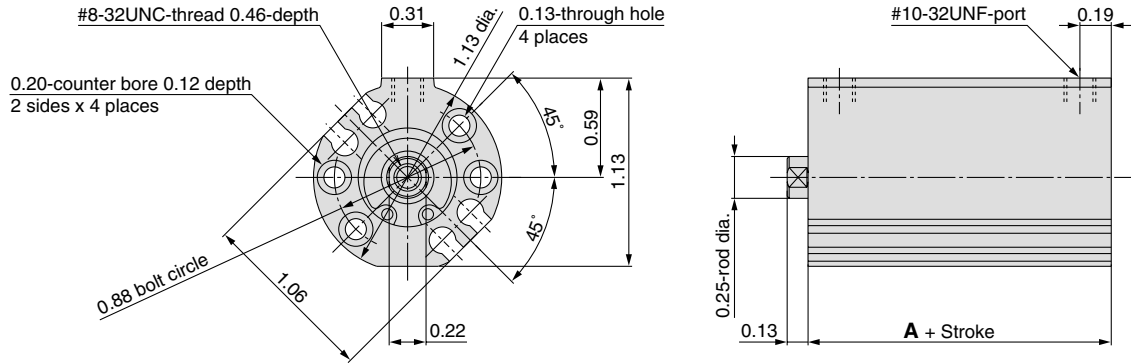
Repair Parts: Seal Kit for Single Acting Spring Extend, Single Rod

The part number will be the same as the one without auto switches.

Compact Cylinder Single Acting, Single Rod *Series NCQ8*

Dimensions/NCQ8B056 to 106-□S (Refer to page 44 for both ends tapped and male thread dimensions.)

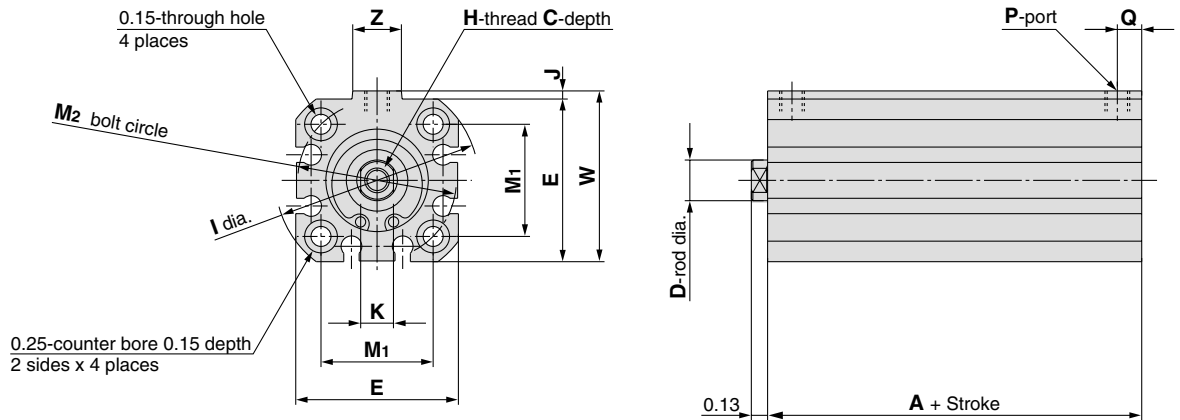
056 (9/16")



(Inch)

Stroke	Symbol A
1/8" to 1"	0.81
1 1/4" to 2"	1.38

075 (3/4"), 106 (1-1/16")



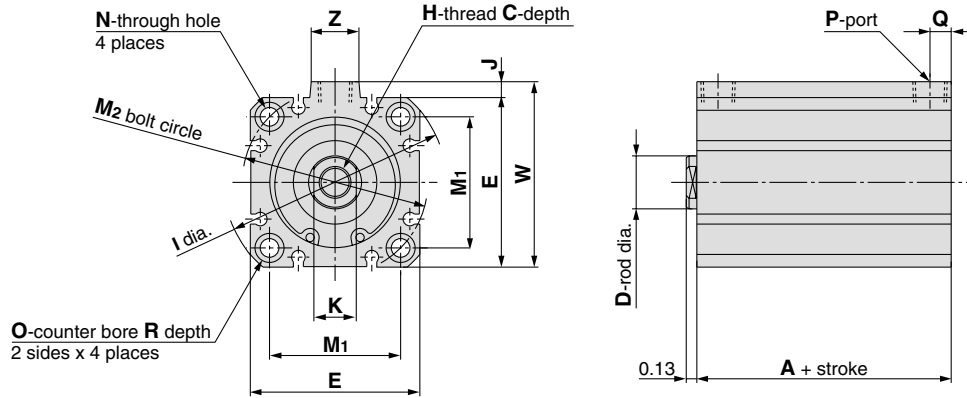
(Inch)

Symbol Bore	A		C		D	E	H	I	J	K	M ₁	M ₂	P	Q	W	Z
	1/8" to 1"st	1 1/4" to 2"st	1/8" to 1/4"st	3/8" to 2"st												
075 (3/4")	0.81	1.38	0.46		0.31	1.25	#10-32UNF	1.56	0.06	0.25	0.86	1.22	#10-32UNF	0.19	1.31	0.38
106 (1-1/16")	0.88	1.50	0.52	0.70	0.50	1.56	5/16-24UNF	2.03	0.16	0.44	1.19	1.69	NPT1/8	0.25	1.72	0.56

Series NCQ8

Dimensions/NCQ8B150 to 250-□S (Refer to page 44 for both ends tapped and male thread dimensions.)

150 (1-1/2"), 200 (2"), 250 (2-1/2")

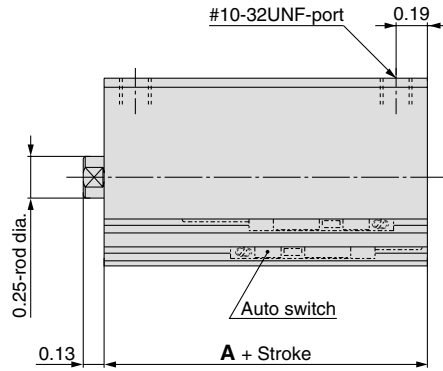
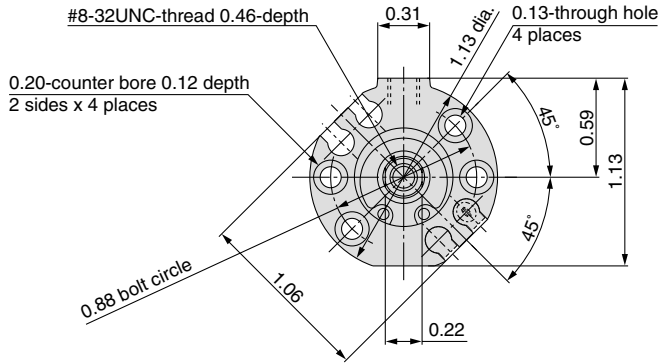


Symbol Bore	A		C			D	E	H	I	J	K	M ₁	M ₂	N	O	P	Q	R	W	Z
	1/8" to 1"st	1 1/4" to 2"st	1/8"st	1/4"st	3/8" to 2"st															
150 (1-1/2")	0.88	1.50	0.50	0.70	0.63	2.00	3/8-24UNF	2.63	0.19	0.50	1.55	2.19	0.22	0.34	NPT1/8	0.25	0.20	2.19	0.56	
200 (2")	0.94	1.56	0.44	0.70	0.75	2.53	1/2-20UNF	3.13	0.20	0.63	1.90	2.69	0.22	0.34	NPT1/8	0.25	0.20	2.73	0.56	
250 (2-1/2")	1.19	2.06	0.44	0.70	0.75	2.84	1/2-20UNF	3.75	0.39	0.63	2.30	3.25	0.28	0.41	NPT1/4	0.33	0.26	3.23	0.69	

Compact Cylinder Single Acting, Single Rod **Series NCQ8**

Dimensions/NCDQ8B056 to 106-□S (Refer to page 44 for both ends tapped and male thread dimensions.)

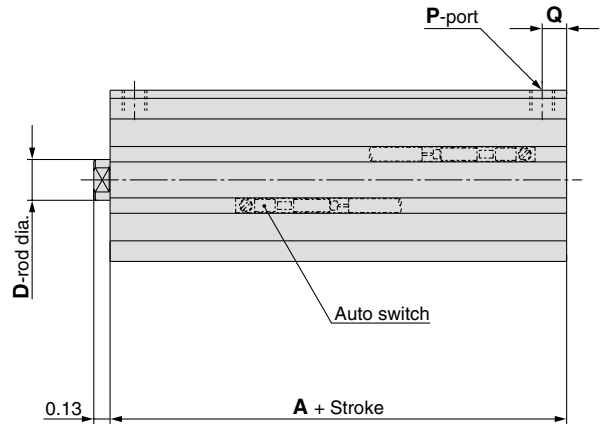
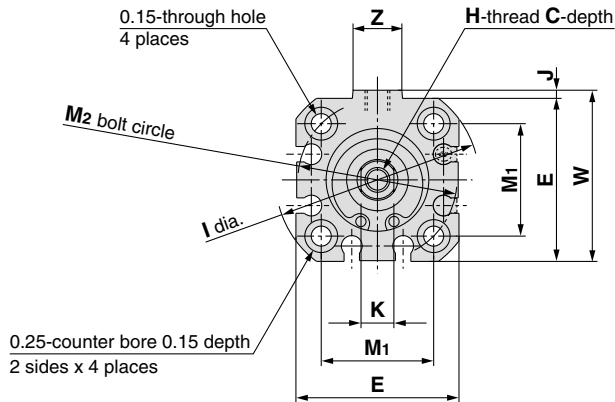
056 (9/16")



(Inch)

Symbol	A
Stroke	
1/4" to 1"	1.44
1-1/4" to 2"	2.00

075 (3/4"), 106 (1-1/16")



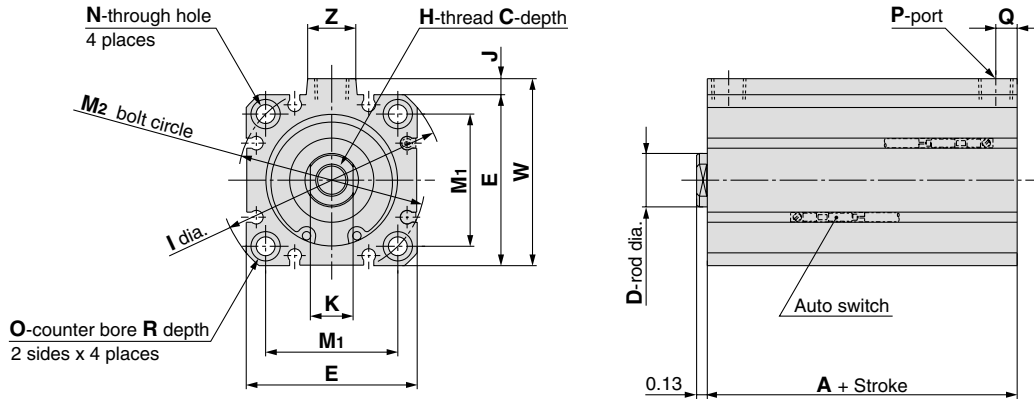
(Inch)

Symbol	A		C	D	E	H	I	J	K	M ₁	M ₂	P	Q	W	Z
	1/8" to 1"st	1-1/4" to 2"st													
075 (3/4")	1.69	2.25	0.46	0.31	1.25	#10-32UNF	1.56	0.06	0.25	0.86	1.22	#10-32UNF	0.19	1.31	0.38
106 (1-1/16")	1.75	2.38	0.70	0.50	1.56	5/16-24UNF	2.03	0.16	0.44	1.19	1.69	NPT1/8	0.25	1.72	0.56

Series NCQ8

Dimensions/NCDQ8B150 to 250-S (Refer to page 44 for both ends tapped and male thread dimensions.)

150 (1-1/2"), 200 (2"), 250 (2-1/2")



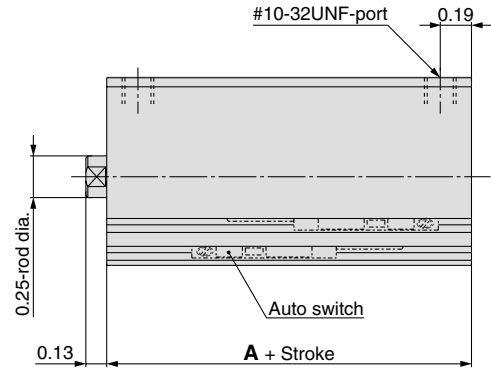
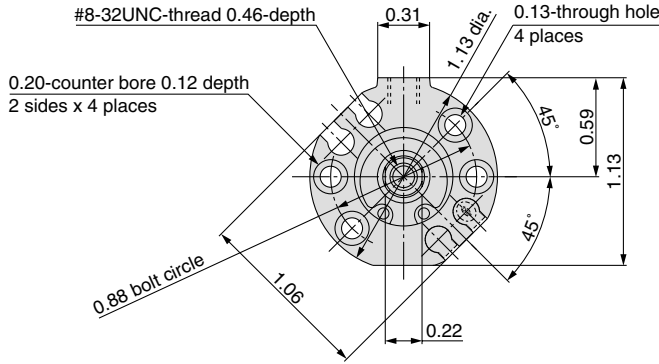
Symbol	A		C	D	E	H	I	J	K	M ₁	M ₂	N	O	P	Q	R	W	Z
	1/4" to 1"st	1-1/4" to 2"st																
150 (1-1/2")	1.75	2.38	0.70	0.63	2.00	3/8-24UNF	2.63	0.19	0.50	1.55	2.19	0.22	0.34	NPT1/8	0.25	0.20	2.19	0.56
200 (2")	1.81	2.44	0.70	0.75	2.53	1/2-20UNF	3.13	0.20	0.63	1.90	2.69	0.22	0.34	NPT1/8	0.25	0.20	2.73	0.56
250 (2-1/2")	2.06	2.94	0.70	0.75	2.84	1/2-20UNF	3.75	0.39	0.63	2.30	3.25	0.28	0.41	NPT1/4	0.33	0.26	3.23	0.69

(Inch)

Compact Cylinder Single Acting, Single Rod **Series NCQ8**

Dimensions/NCQ8BZ056 to 106-□S (Refer to page 44 for both ends tapped and male thread dimensions.)

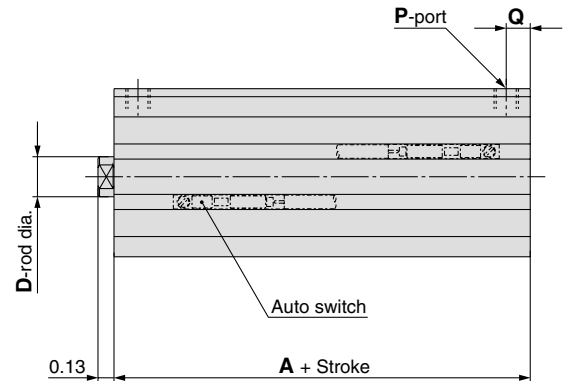
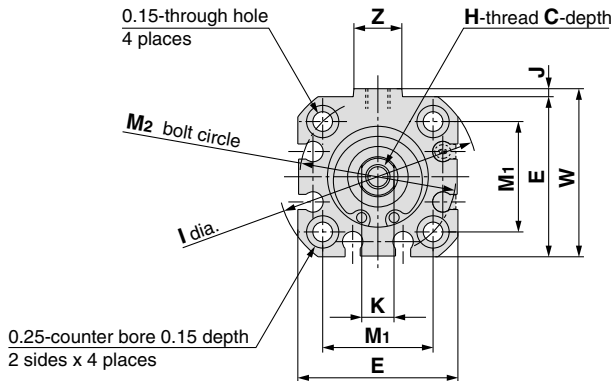
056 (9/16")



(Inch)

Stroke	Symbol	A
1/4" to 1"		1.19
1 1/4" to 2"		1.75

075 (3/4"), 106 (1-1/16")



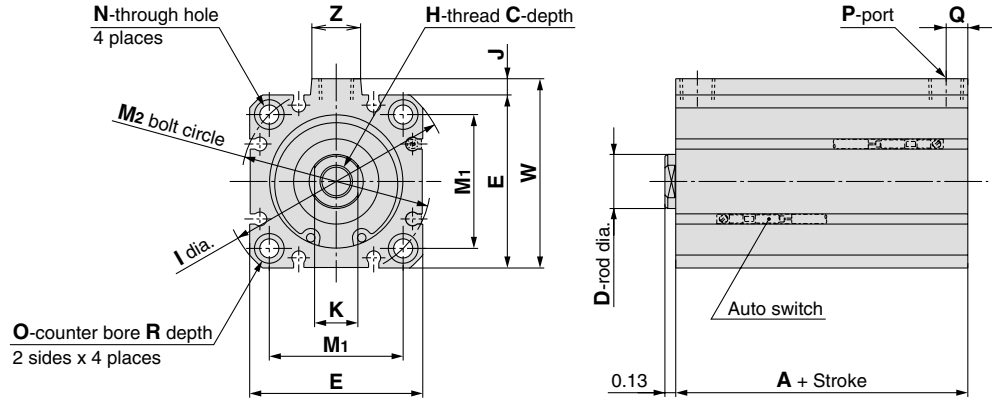
(Inch)

Symbol	A		C		D	E	H	I	J	K	M1	M2	P	Q	W	Z
	1/4" to 1"st	1-1/4" to 2"st	1/4"st	3/8" to 2"st												
075 (3/4")	1.19	1.75	0.46		0.31	1.25	#10-32UNF	1.56	0.06	0.25	0.86	1.22	#10-32UNF	0.19	1.31	0.38
106 (1-1/16")	1.25	1.88	0.52	0.70	0.50	1.56	5/16-24UNF	2.03	0.16	0.44	1.19	1.69	NPT1/8	0.25	1.72	0.56

Series NCQ8

Dimensions/NCDQ8BZ150 to 250-S (Refer to page 44 for both ends tapped and male thread dimensions.)

150 (1-1/2"), 200 (2"), 250 (2-1/2")



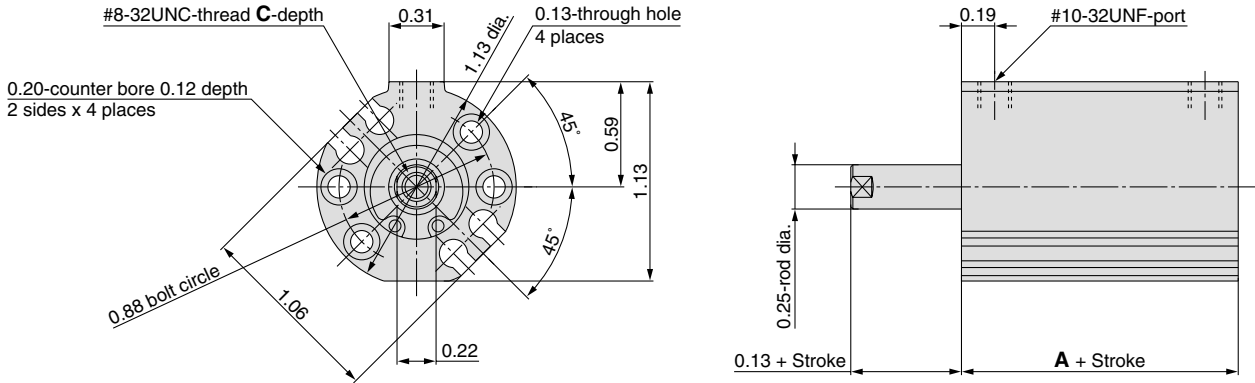
(Inch)

Symbol	A		C		D	E	H	I	J	K	M ₁	M ₂	N	O	P	Q	R	W	Z
	1/4" to 1"st	1-1/4 to 2"st	1/4"st	3/8" to 2"st															
150 (1-1/2")	1.25	1.88	0.50	0.70	0.63	2.00	3/8-24UNF	2.63	0.19	0.50	1.55	2.19	0.22	0.34	NPT1/8	0.25	0.20	2.19	0.56
200 (2")	1.19	1.81	0.70		0.75	2.53	1/2-20UNF	3.13	0.20	0.63	1.90	2.69	0.22	0.34	NPT1/8	0.25	0.20	2.73	0.56
250 (2-1/2")	1.44	2.31	0.70		0.75	2.84	1/2-20UNF	3.75	0.39	0.63	2.30	3.25	0.28	0.41	NPT1/4	0.33	0.26	3.23	0.69

Compact Cylinder Single Acting, Single Rod **Series NCQ8**

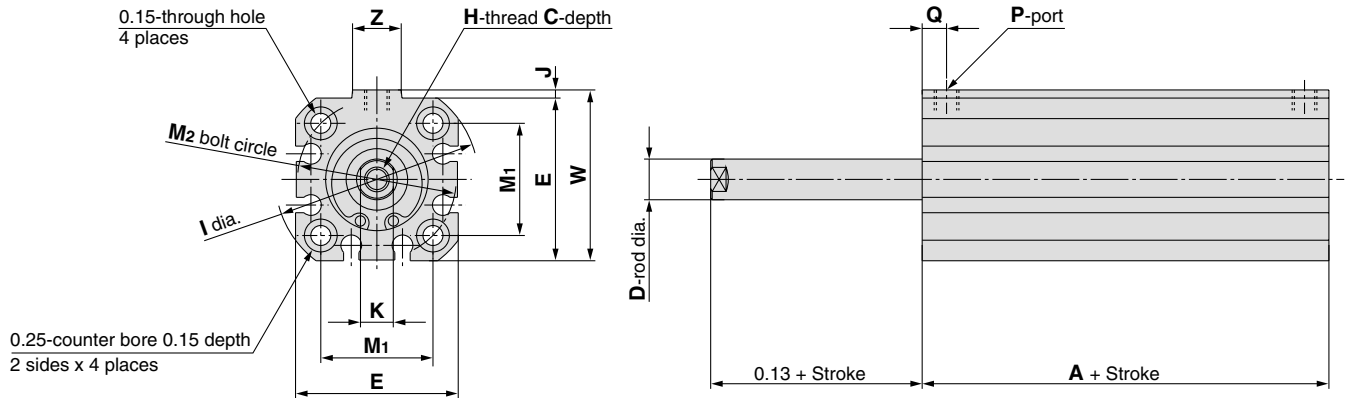
Dimensions/NCQ8B056 to 106-□T (Refer to page 44 for both ends tapped and male thread dimensions.)

056 (9/16")



(Inch)		(Inch)	
Symbol	A	Symbol	C
Stroke		Stroke	
1/8" to 1"	1.06	1/8"	0.36
1-1/4" to 2"	1.63	1/4" to 2"	0.46

075 (3/4"), 106 (1-1/16")

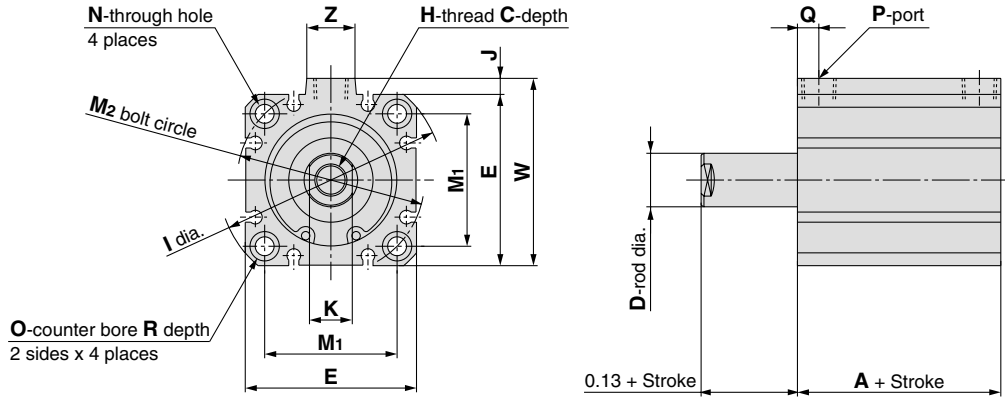


Symbol		A			C			D	E	H	I	J	K	M ₁	M ₂	P	Q	W	Z
		1/8" to 1"st	1-1/4" to 2"st	1/8"st	1/4"st	3/8" to 2"st													
(Inch)																			
Bore																			
075 (3/4")		1.06	1.63	0.36	0.46	0.31	1.25	#10-32UNF	1.56	0.06	0.25	0.86	1.22	#10-32UNF	0.19	1.31	0.38		
106 (1-1/16")		1.38	2.00	0.52	0.70	0.50	1.56	5/16-24UNF	2.03	0.16	0.44	1.19	1.69	NPT1/8	0.25	1.72	0.56		

Series NCQ8

Dimensions/NCQ8B150 to 250-□T (Refer to page 44 for both ends tapped and male thread dimensions.)

150 (1-1/2"), 200 (2"), 250 (2-1/2")



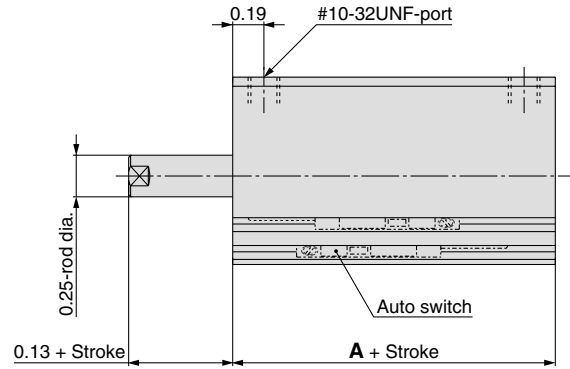
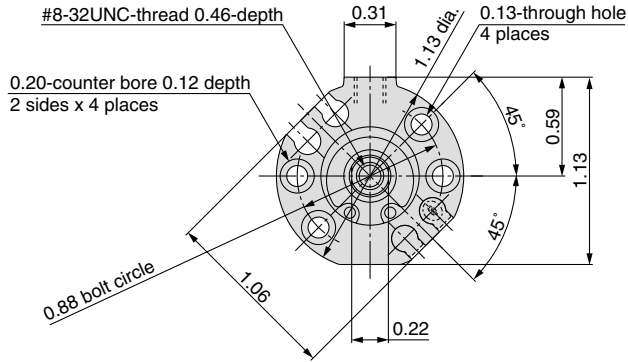
Symbol	A		C		D	E	H	I	J	K	M ₁	M ₂	N	O	P	Q	R	W	Z
	1/8" to 1"st	1-1/4" to 2"st	1/8"st	1/4"st															
150 (1-1/2")	1.38	2.00	0.50	0.70	0.63	2.00	3/8-24UNF	2.63	0.19	0.50	1.55	2.19	0.22	0.34	NPT1/8	0.25	0.20	2.19	0.56
200 (2")	1.44	2.06	0.44	0.70	0.75	2.53	1/2-20UNF	3.13	0.20	0.63	1.90	2.69	0.22	0.34	NPT1/8	0.25	0.20	2.73	0.56
250 (2-1/2")	1.94	2.81	0.44	0.70	0.75	2.84	1/2-20UNF	3.75	0.39	0.63	2.30	3.25	0.28	0.41	NPT1/4	0.33	0.26	3.23	0.69

(Inch)

Compact Cylinder Single Acting, Single Rod **Series NCQ8**

Dimensions/NCDQ8B056 to 106-□T (Refer to page 44 for both ends tapped and male thread dimensions.)

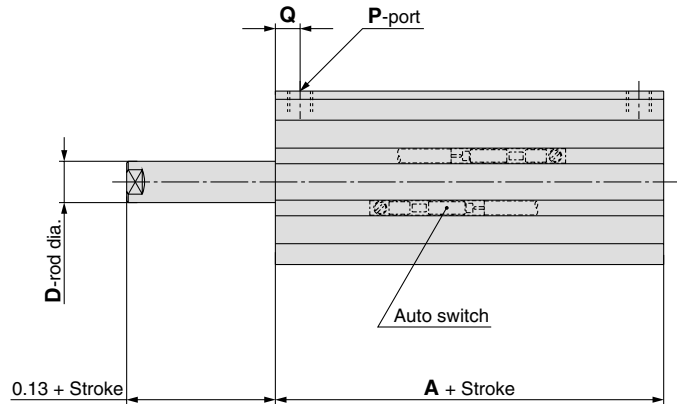
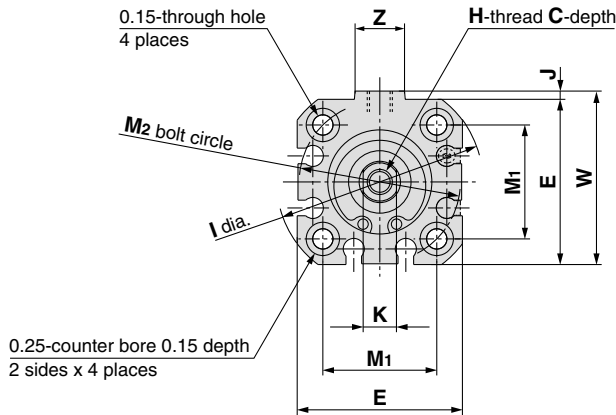
056 (9/16")



(Inch)

Symbol	A
Stroke	
1/4" to 1"	1.44
1 1/4" to 2"	2.00

075 (3/4"), 106 (1-1/16")



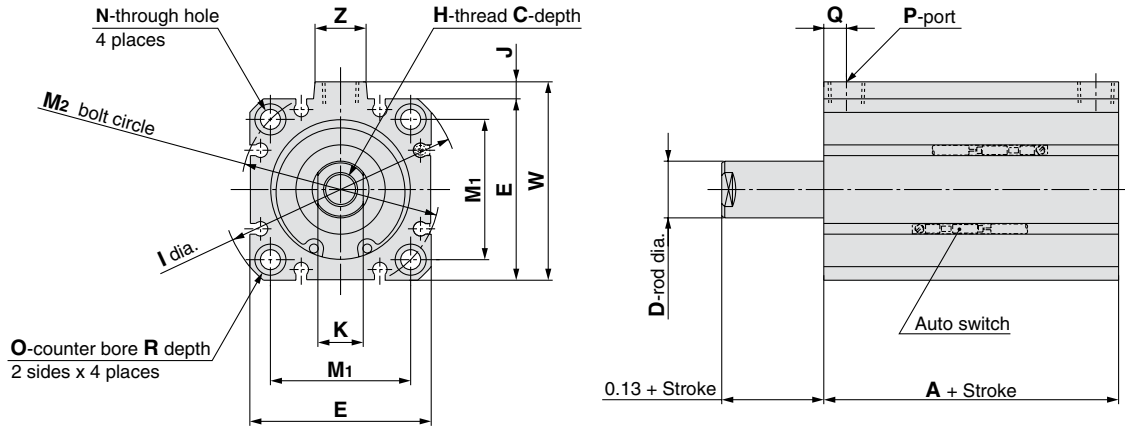
(Inch)

Symbol	A		C	D	E	H	I	J	K	M ₁	M ₂	P	Q	W	Z
	1/4" to 1"st	1-1/4" to 2"st													
Bore															
075 (3/4")	1.94	2.50	0.46	0.31	1.25	#10-32UNF	1.56	0.06	0.25	0.86	1.22	#10-32UNF	0.19	1.31	0.38
106 (1-1/16")	2.25	2.88	0.70	0.50	1.56	5/16-24UNF	2.03	0.16	0.44	1.19	1.69	NPT1/8	0.25	1.72	0.56

Series NCQ8

Dimensions/NCQ8B150 to 250-□T (Refer to page 44 for both ends tapped and male thread dimensions.)

150 (1-1/2"), 200 (2"), 250 (2-1/2")



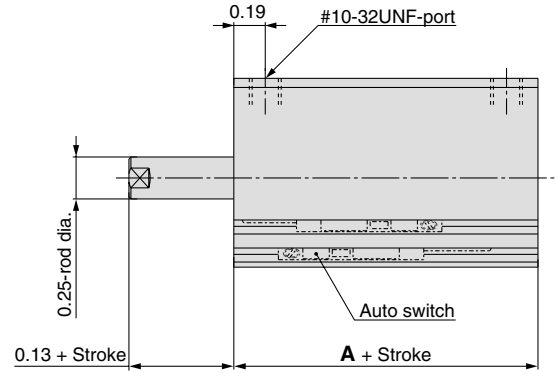
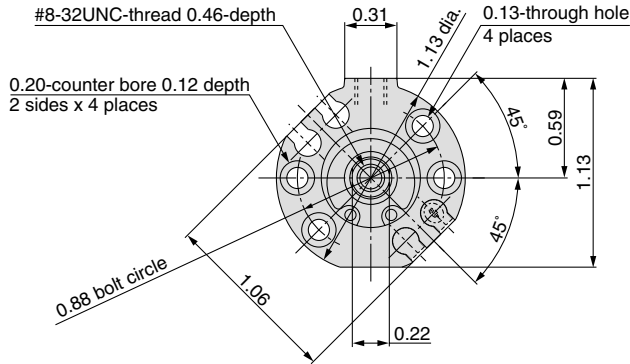
(Inch)

Symbol Bore	A		C	D	E	H	I	J	K	M ₁	M ₂	N	O	P	Q	R	W	Z
	1/4" to 1"st	1-1/4" to 2"st																
150 (1-1/2")	2.25	2.88	0.70	0.63	2.00	3/8-24UNF	2.63	0.19	0.50	1.55	2.19	0.22	0.34	NPT1/8	0.25	0.20	2.19	0.56
200 (2")	2.31	2.94	0.70	0.75	2.53	1/2-20UNF	3.13	0.20	0.63	1.90	2.69	0.22	0.34	NPT1/8	0.25	0.20	2.73	0.56
250 (2-1/2")	2.81	3.69	0.70	0.75	2.84	1/2-20UNF	3.75	0.39	0.63	2.30	3.25	0.28	0.41	NPT1/4	0.33	0.26	3.23	0.69

Compact Cylinder Single Acting, Single Rod **Series NCQ8**

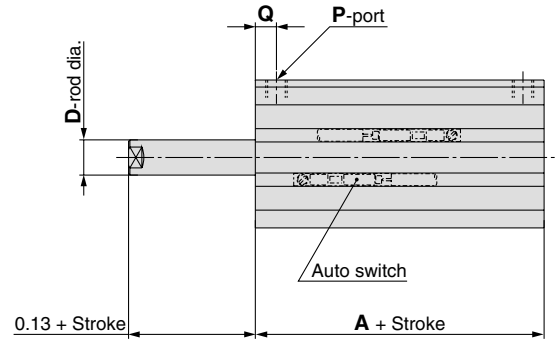
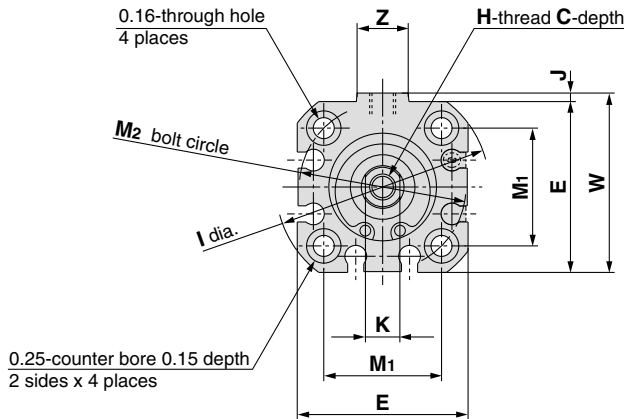
Dimensions/NCQ8BZ056 to 106-□T (Refer to page 44 for both ends tapped and male thread dimensions.)

056 (9/16")



(Inch)	
Symbol	A
Stroke	
1/4" to 1"	1.31
1 1/4" to 2"	1.88

075 (3/4"), 106 (1-1/16")

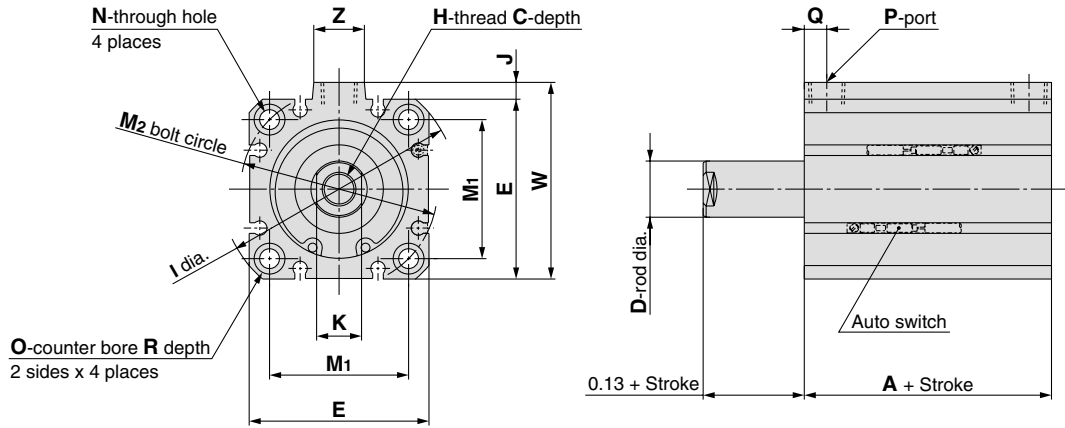


(Inch)																
Symbol	A		C		D	E	H	I	J	K	M ₁	M ₂	P	Q	W	Z
	1/4" to 1"st	1-1/4 to 2"st	1/4"st	3/8" to 2"st												
075 (3/4")	1.56	2.13	0.46		0.31	1.25	#10-32UNF	1.56	0.06	0.25	0.86	1.22	#10-32UNF	0.19	1.31	0.38
106 (1-1/16")	1.75	2.38	0.52	0.70	0.50	1.56	5/16-24UNF	2.03	0.16	0.44	1.19	1.69	NPT1/8	0.25	1.72	0.56

Series NCQ8

Dimensions/NCDQ8BZ150 to 250-□T (Refer to page 44 for both ends tapped and male thread dimensions.)

150 (1-1/2"), 200 (2"), 250 (2-1/2")



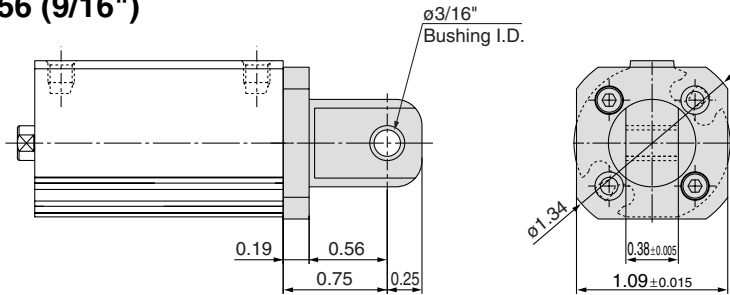
Symbol	A		C		D	E	H	I	J	K	M ₁	M ₂	N	O	P	Q	R	W	Z
	1/4" to 1"st	1-1/4 to 2"st	1/4"st	3/8" to 2"st															
150 (1-1/2")	1.75	2.38	0.50	0.70	0.63	2.00	3/8-24UNF	2.63	0.19	0.50	1.55	2.19	0.22	0.34	NPT1/8	0.25	0.20	2.19	0.56
200 (2")	1.69	2.31	0.70		0.75	2.53	1/2-20UNF	3.13	0.20	0.63	1.90	2.69	0.22	0.34	NPT1/8	0.25	0.20	2.73	0.56
250 (2-1/2")	2.19	3.06	0.70		0.75	2.84	1/2-20UNF	3.75	0.39	0.63	2.30	3.25	0.28	0.41	NPT1/4	0.33	0.26	3.23	0.69

(Inch)

Compact Cylinder Single Acting, Single Rod **Series NCQ8**

Dimensions

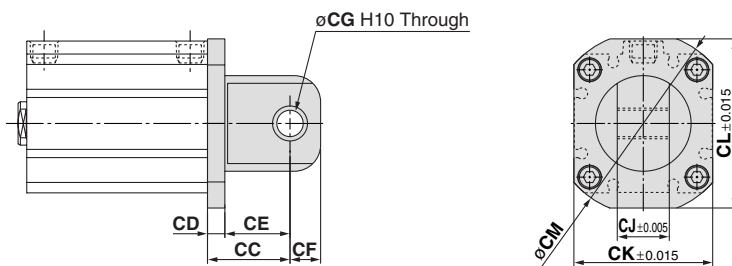
Rear clevis / NC(D)Q8C(Z) □-□^S_T 056 (9/16")



(Inch)

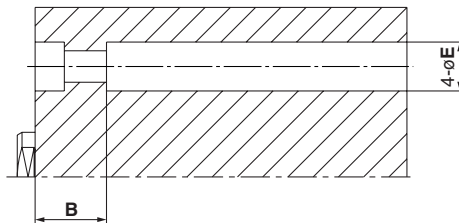
Symbol	CC	CD	CE	CF	CG	CJ
Bore						
075 (3/4")	0.75	0.19	0.56	0.25	3/16"	0.38
106 (1-1/16")	0.81	0.25	0.56	0.25	3/16"	0.38
150 (1-1/2")	1.19	0.25	0.94	0.44	3/8	0.75
200 (2")	1.25	0.31	0.94	0.44	3/8	0.75
250 (2-1/2")	1.31	0.38	0.93	0.44	3/8	0.75

075 (3/4"), 106 (1/16"), 150 (1-1/2"), 200 (2"), 250 (2-1/2")



Symbol	CK	CL	CM
Bore			
075 (3/4")	0.86	1.47	1.56
106 (1-1/16")	1.56	1.94	2.03
150 (1-1/2")	2.00	2.44	2.62
200 (2")	1.90	3.00	3.13
250 (2-1/2")	2.30	3.62	3.74

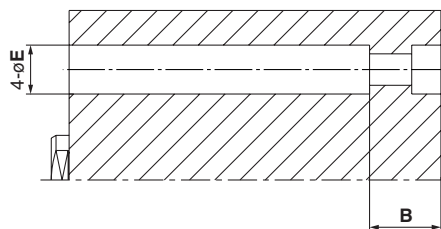
Front screw clearance hole / NC(D)Q8E(Z) □-□^S_T



(Inch)

Symbol	B	E
Bore		
056 (9/16")	0.34	0.20
075 (3/4")	0.34	0.25
106 (1-1/16")	0.50	0.25
150 (1-1/2")	0.50	0.34
200 (2")	0.53	0.34
250 (2-1/2")	0.66	0.41

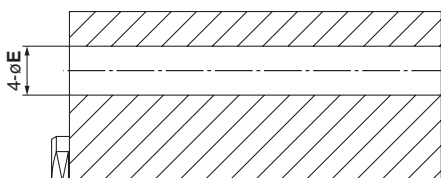
Rear screw clearance hole / NC(D)Q8M(Z) □-□^S_T



(Inch)

Symbol	B	E
Bore		
056 (9/16")	0.34	0.20
075 (3/4")	0.34	0.25
106 (1-1/16")	0.50	0.25
150 (1-1/2")	0.50	0.34
200 (2")	0.53	0.34
250 (2-1/2")	0.66	0.41

Through screw clearance hole / NC(D)Q8N(Z) □-□^S_T



(Inch)

Symbol	E
Bore	
056 (9/16")	0.20
075 (3/4")	0.25
106 (1-1/16")	0.25
150 (1-1/2")	0.34
200 (2")	0.34
250 (2-1/2")	0.41

Series NCQ8

Dimension

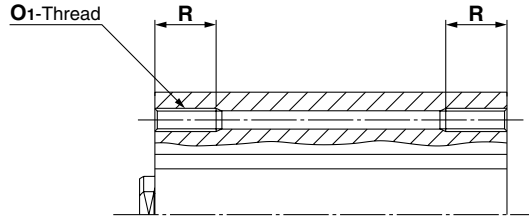
Both ends tapped

NC(D)Q8A□□-□(C)(M)

NC(D)Q8WA□□-□(C)(M)

NC(D)Q8A□□-□S(M)

NC(D)Q8A□□-□T(M)



Both Ends Tapped

(Inch)

Bore size	O ₁	R	Remarks
056 (9/16")	#4-40UNC	0.34	Through tap for NCQ8A056-012(C)
075 (3/4")	#6-32UNC	0.34	Through tap for NCQ8A075-012(C)
106 (1-1/16")	#6-32UNC	0.50	Through tap for NCQ8A106-012(C)
150 (1-1/2")	#10-24UNC	0.50	Through tap for NCQ8A150-012(C)
200 (2")	#10-24UNC	0.53	Through tap for NCQ8A200-012(C)
250 (2-1/2")	1/4-20UNC	0.65	Through tap for NCQ8A250-012(C)

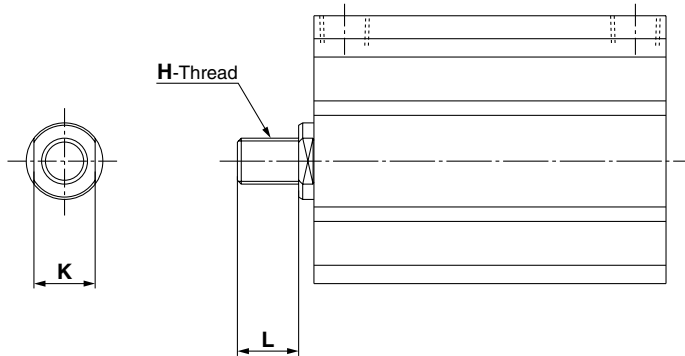
Male rod end

NC(D)Q8□□□-□(C)M

NC(D)Q8W□□□-□(C)M

NC(D)Q8□□□-□SM

NC(D)Q8□□□-□TM



Male Rod End

(Inch)

Bore size	H	L	K
056 (9/16")	#8-32UNC	0.38	0.22
075 (3/4")	#10-32UNF	0.38	0.25
106 (1-1/16")	5/16-24UNF	0.50	0.44
150 (1-1/2")	3/8-24UNF	0.50	0.50
200 (2")	1/2-20UNF	0.63	0.63
250 (2-1/2")	1/2-20UNF	0.63	0.63