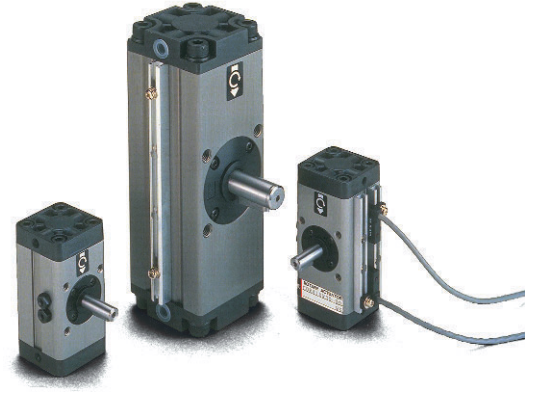


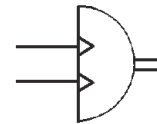
**RACK & PINION TYPE
ROTARY ACTUATOR
BORE SIZES Ø30, 50, 63, 80, 100MM
SERIES NCRA1**

- ✓ 90°, 180° rotation
- ✓ Optional magnetic piston for autoswitches
- ✓ Low friction resistance

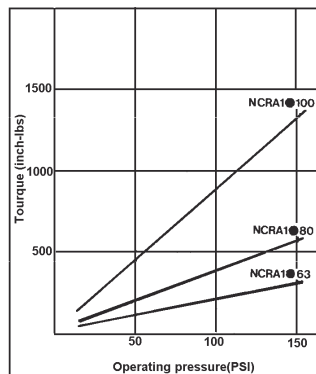
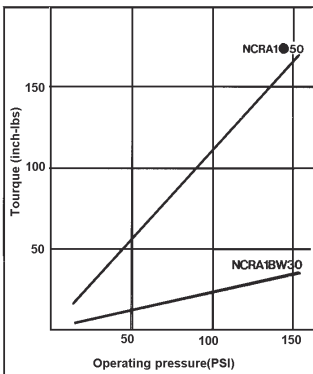


TECHNICAL

Fluid	Air (No Lubrication)				
Proof Pressure	1.5MPa / 225 PSI				
Max Operating Pressure	1MPa / 150 PSI				
Min Operating Pressure	0.1MPa / 15 PSI				
Ambient and Operating Fluid Temperature	5 ~ 60°C / 40 ~ 140°F				
Piston Diameter (mm)	30	50	63	80	100
Min Speed sec/90°	1	2	3	4	5
Max Speed sec/90°	0.2				
Stroke Tolerance	Adjustable ±6°	+4° -0°			
Allowable Kinetic Energy (Nm)	0.01	0.05	0.12	0.16	0.55

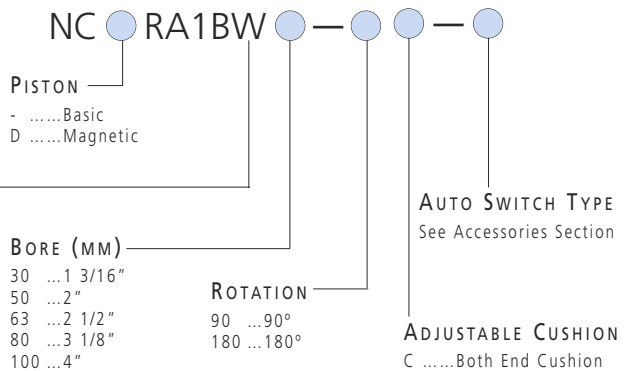


**TORQUE
SPECIFICATIONS
SERIES NCRA1**



DIMENSIONS
SEE NEXT PAGE

**HOW TO
ORDER
NCRA1 ROTARY ACTUATOR**



SHAFT
SSingle Rod End
WDouble Rod End
: 30mm Bore
Double Rod End Only



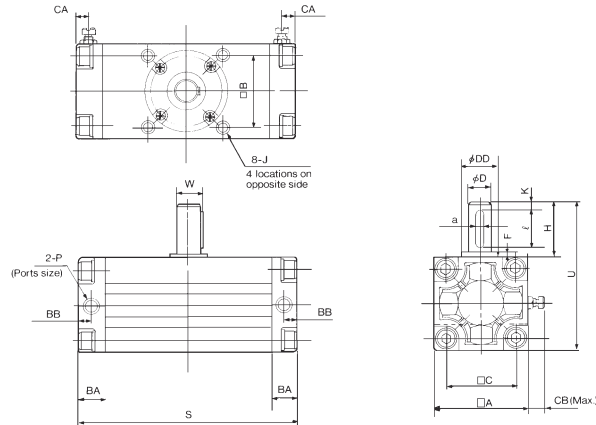
FOR FURTHER TECHNICAL
DETAILS ON THIS
PRODUCT, REQUEST
CATALOG REFERENCE
N353

ACCESSORIES
AUTO SWITCHES

	Part No. Grommet Type	Part No. Connector Type	Type	Load Voltage	Load Current	Power Source	Internal Voltage Drop	Indicator Lamp	Lead Wire Length
Diameter 30mm	D-A73L	D-A73CL	Reed	24VDC 100VAC	5~40mA 5~20mA		Max 2.4V	ON:RED L.E.D	
	D-A80L	D-A80CL	Reed	24VDC/AC or less 100VDC/AC	Max 50mA Max 20mA			None	
	D-F79L	~	3 Wire Solid State NPN	28VDC or less	Max 150mA	5~28VDC	0.8V Max	ON:RED L.E.D	
	D-F7PL	~	3 Wire Solid State PNP	28VDC or less	Max 100mA	5~28VDC	0.8V Max	ON:RED L.E.D	
	D-J79L	D-J79CL	2 Wire Solid State	28VDC or less	5~150mA	~	3V Max	ON:RED L.E.D	
Diameter 50 - 100	D-A53L		Reed	24VDC 100VAC		5~50mA	2.4V or less	ON:Red L.E.D	3m
	D-A54L		Reed	24VDC 100VAC		5~50mA	2.4V or less	ON:Red L.E.D	3m
	D-A64L		Reed	24VDC/AC or less 100VDC/AC 200VAC/DC		Max 50mA		None	3m
	D-F59L		3 Wire Solid State NPN	28VDC or less	Max 150mA	5~24VDC	0.8V or less	ON:Red L.E.D	3m
	D-F5PL		3 Wire Solid State PNP	28VDC or less	Max 100mA	5~24VDC	0.8V or less	ON:Red L.E.D	3m
	D-J59L		2 Wire Solid State	10~28VDC	5~150mA	-	3V or less	ON:Red L.E.D	3m
Ambient Temperature	-10~60DEG C								
Protection Structure	IP67								

Note: Pre-wired Switches with 3/4 Pin Connectors available, please consult SMC Customer Service

DIMENSIONS
WITHOUT AUTO SWITCH
SINGLE ROD END NCRA1BS50~100



Model	P (NPTF)	□A	□B	□C	□D	□DD	F	H	J	K	S*	U	W	BA	BB	CA	CB	KEY		
																		a	Tolerance ℓ	
NCRA1BS50-__	1/8	2.44	1 7/8	1.81	9/16 -0.000236 -0.000659	1 0 -0.00205	0.1	1.42	5/16-18UNC Depth0.31	0.2	5.67 (6.97)	3.86	0.62	0.67	0.33	0.33	0.51	1/8		1
NCRA1BS63-__	1/8	2.99	2 3/8	2.24	5/8 -0.000659 -0.00276	1 1/8 0 -0.00244	0.1	1.61	3/8-16UNC Depth0.47	0.2	6.42 (7.93)	4.61	0.70	0.79	0.39	0.39	0.55	3/16	+0.001	1.25
NCRA1BS80-__	1/4	3.62	2 7/8	2.76	3/4 -0.000787 -0.00276	1 3/8 0 -0.00244	0.12	1.97	1/2-13UNC Depth0.51	0.2	7.32 (9.06)	5.59	0.83	0.93	0.47	0.47	0.71	3/16	0	1.5
NCRA1BS100-__	3/8	4.41	3 3/8	3.35	1 -0.000787	1 5/8 0 -0.00244	0.16	2.36	1/2-13UNC Depth0.55	0.2	9.65(12.24)	6.77	1.11	0.98	0.49	0.49	0.71	1/4		1.75

* (In Parentheses) are the dimensions for rotations of 180° and 190°

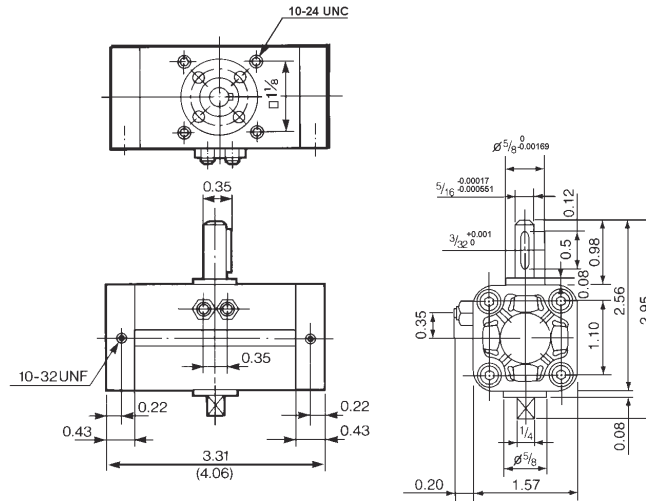
MORE DIMENSIONS
SEE NEXT PAGE

SEE INSIDE FRONT COVER FOR
DETAILS OF YOUR LOCAL SALES OFFICE

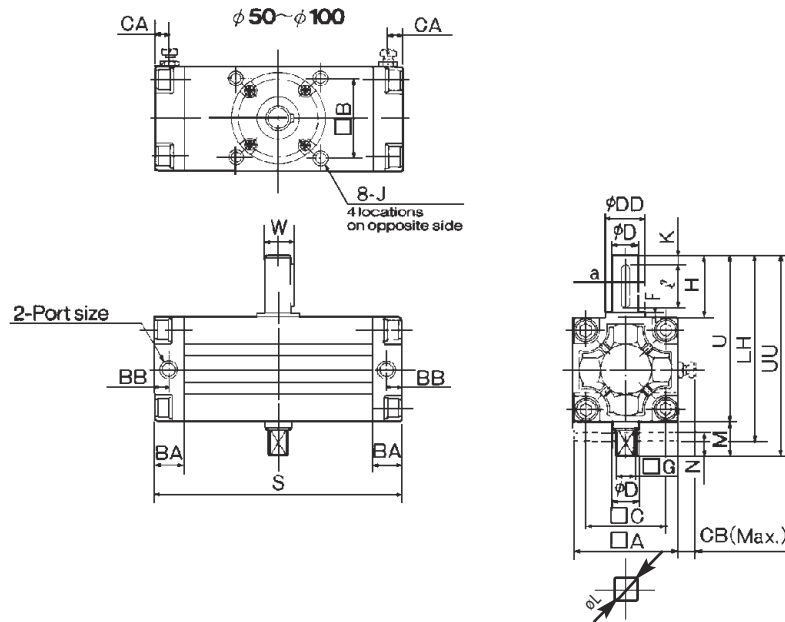


FOR FURTHER TECHNICAL
DETAILS ON THIS
PRODUCT, REQUEST
CATALOG REFERENCE
N353

DIMENSIONS
WITHOUT AUTO SWITCH
DOUBLE ROD END NCRA1BW30



DIMENSIONS
WITHOUT AUTO SWITCH
DOUBLE ROD END NCRA1BW50~100



Model	P (NPTF)	□A	□B	□C	□D	□DD	F	□G	H	J	K	φL	M	N	S*	U	UU	W	
NCRA1BW50-__	1/8	2.44	1 7/8	1.81	9/16	$\begin{matrix} -0.000236 \\ -0.000669 \end{matrix}$	$\begin{matrix} 0 \\ -0.00205 \end{matrix}$	0.1	7/16	1.42	5/16-18UNC Depth0.31	0.2	9/16	0.79	0.59	5.67 (6.97)	3.86	4.65	0.62
NCRA1BW63-__	1/8	2.99	2 3/8	2.24	5/8	$\begin{matrix} -0.000236 \\ -0.000669 \end{matrix}$	$\begin{matrix} 0 \\ -0.00244 \end{matrix}$	0.1	1/2	1.61	3/8-16UNC Depth0.47	0.2	5/8	0.87	0.67	6.42 (7.93)	4.61	5.47	0.70
NCRA1BW80-__	1/4	3.62	2 7/8	2.76	3/4	$\begin{matrix} -0.000276 \\ -0.000787 \end{matrix}$	$\begin{matrix} 0 \\ -0.00244 \end{matrix}$	0.12	5/8	1.97	1/2-13UNC Depth0.51	0.2	3/4	0.98	0.79	7.32 (9.06)	5.59	6.57	0.83
NCRA1BW100-__	3/8	4.41	3 3/8	3.35	1	$\begin{matrix} -0.000276 \\ -0.000787 \end{matrix}$	$\begin{matrix} 0 \\ -0.00244 \end{matrix}$	0.16	3/4	2.36	1/2-13UNC Depth0.55	0.2	1	1.18	0.98	9.65(12.24)	6.77	7.95	1.11

Model	BA	BB	CA	CB	KEY		
					a	Tolerance	l
NCRA1BW50-__	0.67	0.33	0.33	0.51	1/8		1
NCRA1BW63-__	0.79	0.39	0.39	0.55	3/16	+0.001	1.25
NCRA1BW80-__	0.93	0.47	0.47	0.71	3/16	0	1.5
NCRA1BW100-__	0.98	0.49	0.49	0.71	1/4		1.75

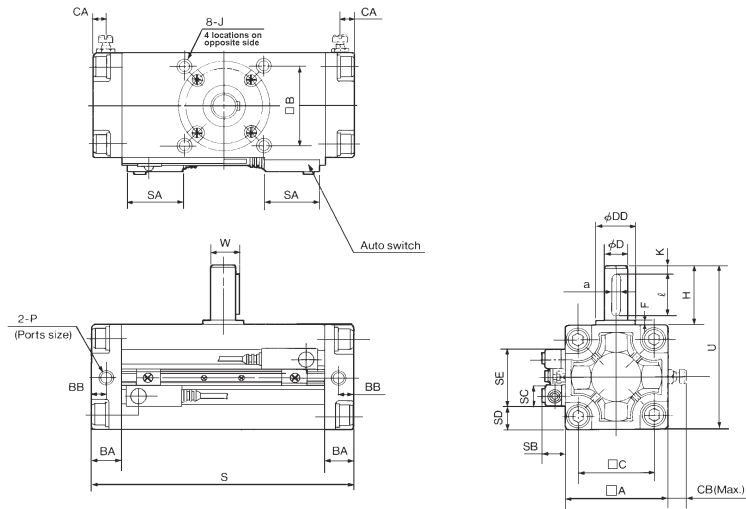
* (In Parentheses) are the dimensions for rotations of 180° and 190°



FOR FURTHER TECHNICAL
DETAILS ON THIS
PRODUCT, REQUEST
CATALOG REFERENCE
N353

DIMENSIONS

SINGLE ROD END WITH AUTO SWITCH NCDRA1_S_



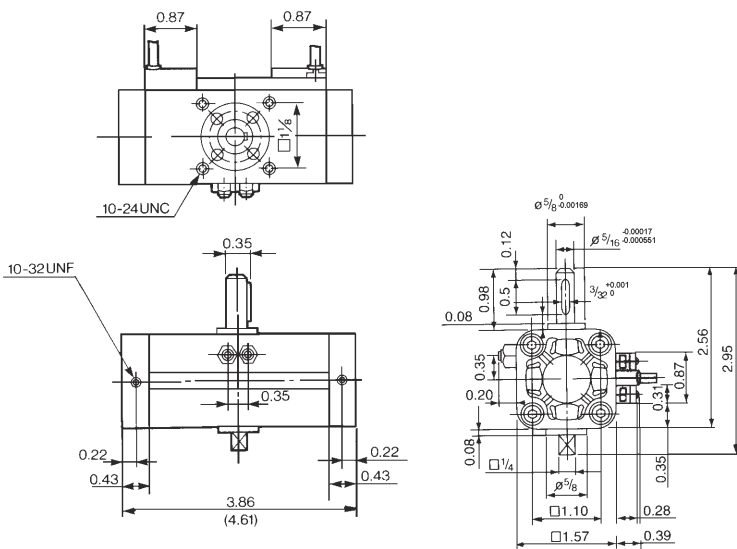
Model	KEY		
	a	Tolerance	ℓ
NCDRA1BS_50_--A_	1/8		1
NCDRA1BS_63_--A_	3/16	+0.001	1.25
NCDRA1BS80_--A_	3/16	0	1.5
NCDRA1BS100_--A_	1/4		1.75

* (In Parentheses) are the dimensions for rotations of 180° and 190°

Model	P (NPTF)	□A	□B	□C	□D	□DD	F	H	J	K	S*	U	W	BA	BB	CA	CB	SA	SB	SC	SD	SE		
NCDRA1BS_50_--A_	1/8	2.44	1 7/8	1.81	9/16	^{-0.000236} _{-0.000669}	1	⁰ _{-0.00205}	0.1	1.42	5/16-18UNC Depth0.31	0.2	5.67 (6.97)	3.86	0.62	0.67	0.33	0.33	0.51	1.3	0.53	0.47	0.55	1.34
NCDRA1BS_63_--A_	1/8	2.99	2 3/8	2.24	5/8	^{-0.000236} _{-0.000669}	1 1/8	⁰ _{-0.00244}	0.1	1.61	3/8-16UNC Depth0.47	0.2	6.42 (7.93)	4.61	0.70	0.79	0.39	0.39	0.55	1.3	0.57	0.47	0.83	1.34
NCDRA1BS80_--A_	1/4	3.62	2 7/8	2.76	3/4	^{-0.000276} _{-0.000787}	1 3/8	⁰ _{-0.00244}	0.12	1.97	1/2-13UNC Depth0.51	0.2	7.32 (9.06)	5.59	0.83	0.93	0.47	0.47	0.71	1.3	0.61	0.47	1.14	1.34
NCDRA1BS100_--A_	3/8	4.41	3 3/8	3.35	1	^{-0.000276} _{-0.000787}	1 5/8	⁰ _{-0.00244}	0.16	2.36	1/2-13UNC Depth0.55	0.2	9.65(12.24)	6.77	1.11	0.98	0.49	0.49	0.71	1.3	0.63	0.47	1.54	1.34

DIMENSIONS

DOUBLE ROD END WITH AUTO SWITCH NCDRA1BW30



SEE INSIDE FRONT COVER FOR
DETAILS OF YOUR LOCAL SALES OFFICE



FOR FURTHER TECHNICAL
DETAILS ON THIS
PRODUCT, REQUEST
CATALOG REFERENCE
N353