

How to Order

ITV 2030 - SEN - 2 - DUQ00833 - X26

Body Size

1010	2010	3010
1030	2030	3030
1050	2050	3050
	2090	

Port Size

1	1/8 (1000)
2	1/4 (1000, 2000) *
3	3/8 (2000, 3000) *
4	1/2 (3000)

* Note: 2090 available with 1/4 port only.

Made to Order

Nil	Standard Mounting
X26	Manifold Mounting *
X400	Gage Port **

* Note: -X26 is available only for 2010, 2030, and 2050 sizes with 1/4 Rc only.

** Note: 2030, 2050 with 3/8 Rc port only.

Fieldbus

SEN	EtherNet/IP
SEC	EtherCat
SPN	Profinet
SMB	ModBus/TCP
SPL	PowerLink

Thread Type

Nil	Rc
N	NPT



Specifications

Model	1010	1030	1050	2090
	2010	2030	2050	
	3010	3030	3050	
Min. Supply Pressure (psi)	Set Pressure +14			-1.9
Max. supply pressure (psi)	29	145		-14.7
Set Pressure Range (psi)	0.7 to 14.5	0.7 to 72.5	0.7 to 130.5	-0.2 to -11.6
Power Supply Voltage	DC 24 V ± 10%			
Current Consumption	0.15A or less			
Input & Output Signal	Ethernet Based Fieldbus			
Linearity	Within ± 1% (Full Span)			
Hysteresis	Within ± 0.5% (Full Span)			
Repeatability	Within ± 0.5% (Full Span)			
Sensitivity	Within ± 0.2% (Full Span)			
Temperature Characteristics	Within ± 0.12% (Full Span) / °C			
Ambient & Fluid Temperature	0 to 50°C (32 to 122 °F) (No condensation)			
Enclosure Rating	IP65			
Weight	Size 1000	8.8 oz.		
	Size 2000	12.3 oz.		
	Size 3000	15.9 oz.		

Features

- Daisy chain Power Over Ethernet
- Built-in two port ethernet switch
- 12 bit resolution in/out
- Device Level Ring (Ethernet/IP)
- Quick connect (Ethernet/IP)
- Built-in web server
- Available in ITV1000, 2000, and 3000 sizes
- Silicone free option

• **Ethernet/IP** SHIPPING NOW

• **MODBUS TCP** SHIPPING NOW

• **PROFINET ***

• **EtherCAT***

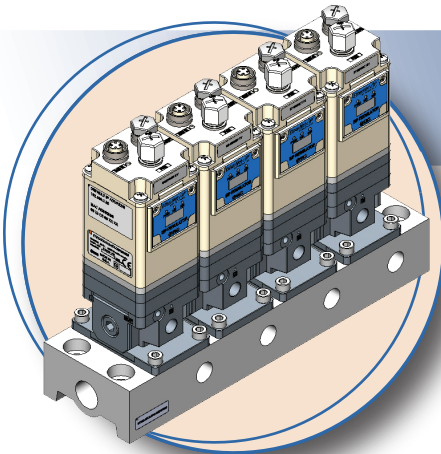
• **Power Link ***

* Inquire for Availability

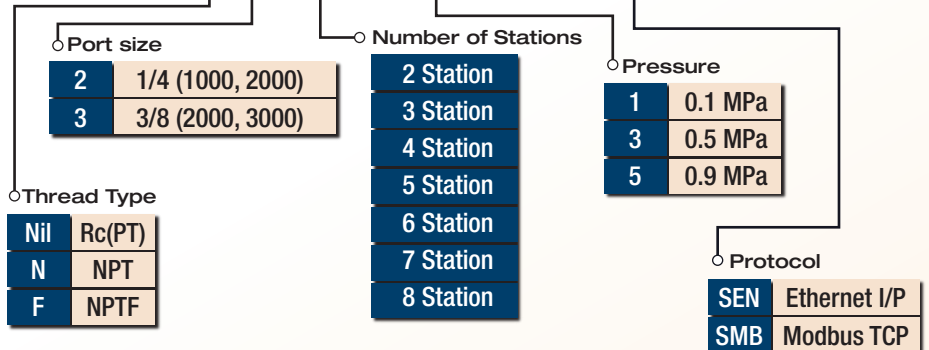


Ethernet ITV Manifold Assembly

How to Order



IITV20-XX-X-20X0-SXX-DUR01490



Porting

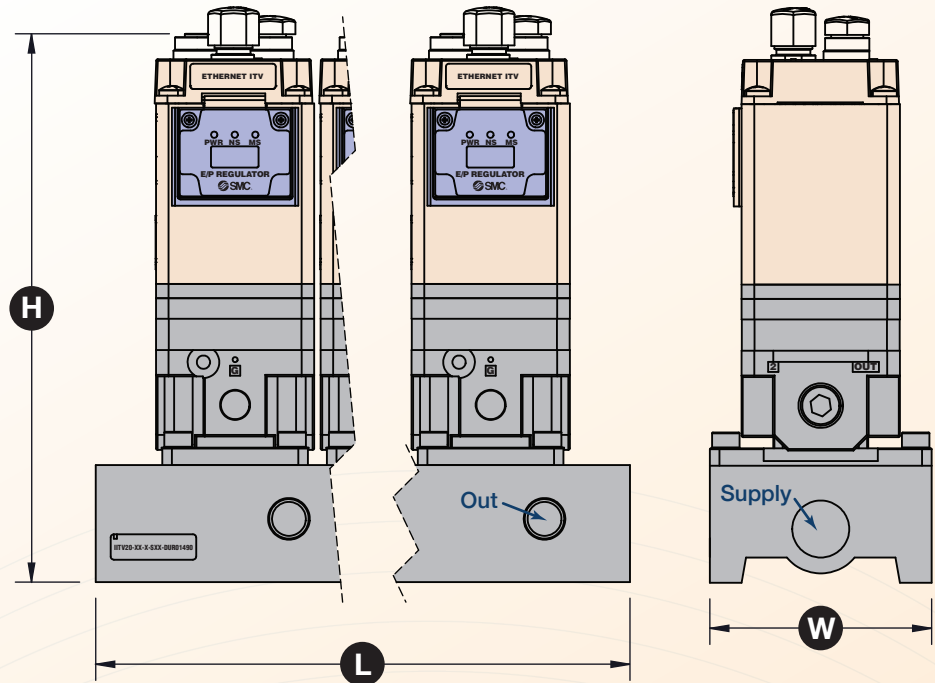
- Supply: 1/2
- Out: 1/4 or 3/8 (per order)
- Thread Type: Rc, NPT or NPTF (per order)

Dimensions

- Length (mm) 52 (N-1) + 88
- Height (mm) 173.2
- Width (mm) 70

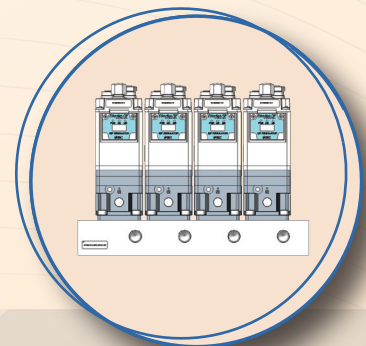
Mounting Screws

- 4X M5x0.8 SHCS
- Pitch (mm) 36 x (52N + 16)



Specifications

Voltage	24 VDC ± 10%
Input Signal (Digital)	12 BIT + SIGN
Output Signal (Digital)	12 BIT + SIGN
Linearity	Within ± 1% FULL SPAN
Hysteresis	Within ± 0.5% FULL SPAN
Repeatability	Within ± 0.5% FULL SPAN
Sensitivity	Within ± 0.2% FULL SPAN
Enclosure	IP 65



SMC Corporation of America
 10100 SMC Blvd. Noblesville, IN 46060
(800) SMC.SMC1 (762 - 7621)