



Pulse Valve

For Reverse Pulse Jet Dust Collectors



Life Cycle

10 MILLION*

Threaded or Compression Fitting Connection



○ Threaded Connection ○



○ Compression Fitting Connection ○

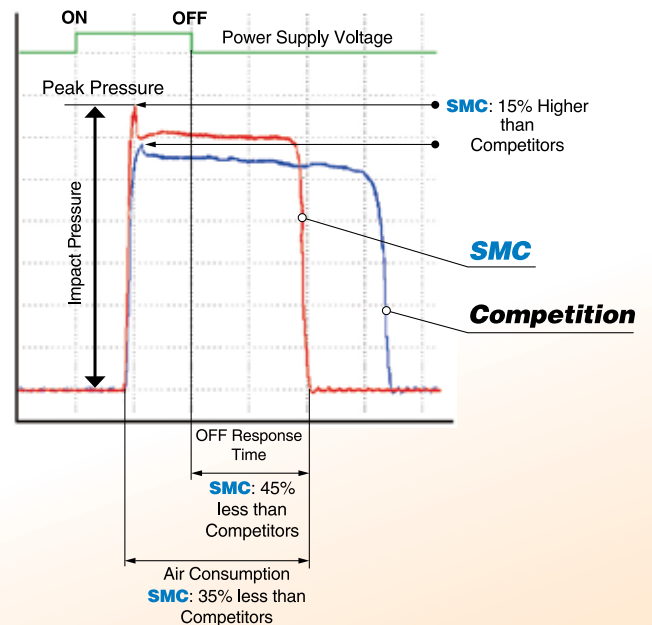
Air Consumption

MAX 35% REDUCED

Peak Pressure

MAX 15% INCREASED

OUT Output Pressure Waveform (20A)

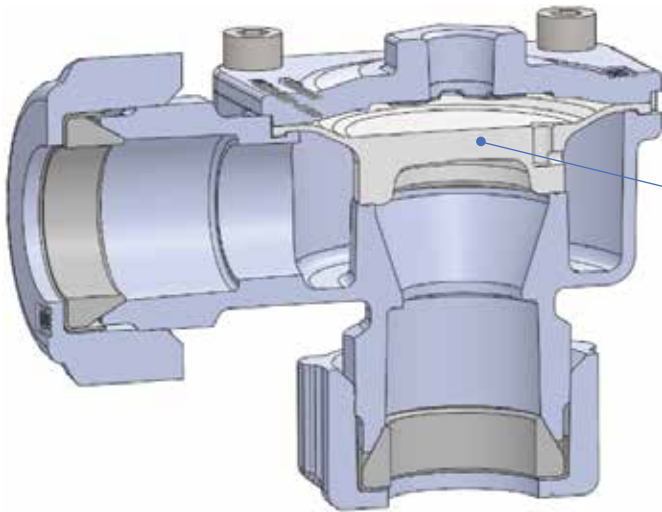


* Orifice diameter option: Ø5 or more (20A)

JSXFA Series

NF352C

Pulse Valve



○ The key to SMC's long life and superior performance is the heavy elastomer diaphragm greatly reducing vibration (no springs), the internal geometry allowing a shorter stroke, and the larger diaphragm orifice for faster response to reduce energy consumption.

General Specification

Item		JSXFA(E,F)-		
		06	10	14
Orifice mmø		32	42	56
Port Size		3/4"	1"	1-1/2"
Cv		17	30	60
Fluid		Air		
Operating Pressure Psi (Mpa)		14.5-131 (0.1~0.9)		
Fluid and Ambient Temperature °F (C°)		-40°-176 (-40~80)		
Weight (g)	Compression	470	910	1850
	Thread	290	500	1230

How to Order

Air Operated Type : J S X F ^① A ^② E - 0 6 ^③ N - B - ^④ * ^⑤ * ^⑥ * ^⑦ * ^⑧ *

① Type		② Piping		③ Port Size IN · OUT		④ Port Thread IN · OUT Pilot Exhaust (40A)		⑤ Temperature		⑥ Silencer (40A exhaust port)		⑦ Pilot Port Size		⑧ Orifice Diameter of Pilot Valve (Recommendation Value)	
Symbol	Type	Symbol	Piping	Symbol	Port Size	Symbol	Port Thread	Symbol	Fluid Ambient	Symbol	Silencer	Symbol	Port Size	Symbol	Orifice Diameter
A	Air Operated	E	Compression Fitting	06	3/4" (20A)	N	NPT	B	Normal	Nil	Without	Nil	* 1/4"	Nil	ø5mm or more
		F	Direct	10	1" (25A)	R	Rc			S	With	1	* 1/8"	A*	ø3mm or more
				14	1-1/2" (40A)	F	G								

Diaphragm Kit : J S X F - 0 6 B - K T : 3/4" (20A)
 1 0 : 1" (25A)
 1 4 : 1-1/2" (40A)

* A is applicable to 3/4" and 1" only

○ To add an SMC 10 Million cycle life solenoid vent pilot valve please inquire to your SMC representative for VX2 series

Vent Valve with Timer Board

The system controls timed operation of Vent/Pulse Valves using one small circuit board per valve. Also available is the Vent/Pulse valve with pressure differential system. System timing is controlled by one master circuit board, and any number of secondary circuit boards, can be connected sequentially via short board to board jumpers. Valves are fired in a sequence starting with the master. With a continuous stepping master, after the last valve is fired, a step back loop cable signals to restart the sequence with the master.



Specifications	VX2B0AY
Valve Construction Withstand Pressure	Direct Operated Poppet 218 PSI (1.5MPa)
Body Material	Resin
Seal Material	NBR
Environment	Location without Corrosive or Explosive Gases
Rated Voltage	24 VDC
Fluid Temperature	-10 to 60C°
Ambient Temperature	-20 to 60C°

How to Order

Vent Valve Assembly : V X 2 ^①B 0 ^②A ^③A - DUU00291

① Valve Type		② Orifice Diameter		③ Voltage & Electrical Entry Options		
Symbol	Type	Symbol	Piping	Symbol	Voltage	Electrical Entry
B	N.C.	A	ø4	A	24 VDC	Grommet
E	N.O.			C	110 VAC	Grommet (with surge voltage suppressor)
				F	24 VAC	DIN Terminal (with surge voltage suppressor)
				Y	24 VDC	Flat Terminal

○ For timer board part number, contact your local SMC representative

Global Manufacturing, Distribution and Service Network

Worldwide Subsidiaries

EUROPE

AUSTRIA
SMC Pneumatik GmbH (Austria)

BELGIUM
SMC Pneumatics N.V./S.A.

BULGARIA
SMC Industrial Automation Bulgaria EOOD

CROATIA
SMC Industrijska Automatika d.o.o.

CZECH REPUBLIC
SMC Industrial Automation CZ s.r.o.

DENMARK
SMC Pneumatik A/S

ESTONIA
SMC Pneumatics Estonia

FINLAND
SMC Pneumatics Finland OY

FRANCE
SMC Pneumatique S.A.

GERMANY
SMC Pneumatik GmbH

GREECE
SMC Hellas EPE

HUNGARY
SMC Hungary Ipari Automatizálási Kft.

IRELAND
SMC Pneumatics (Ireland) Ltd.

ITALY
SMC Italia S.p.A.

KAZAKHSTAN
LLP "SMC Kazakhstan"

LATVIA
SMC Pneumatics Latvia SIA

LITHUANIA
UAB "SMC Pneumatics"

NETHERLANDS
SMC Pneumatics B.V.

NORWAY
SMC Pneumatics Norway AS

POLAND
SMC Industrial Automation Polska Sp. z o.o.

ROMANIA
SMC Romania S.r.l.

RUSSIA
SMC Pneumatik LLC.

SLOVAKIA
SMC Priemysel'ná Automatizácia, Spol s.r.o.

SLOVENIA
SMC Industrijska Avtomatika d.o.o.

SPAIN / PORTUGAL
SMC España, S.A.

SWEDEN
SMC Pneumatics Sweden AB

SWITZERLAND
SMC Pneumatik AG

TURKEY
SMC Pnömatik Sanayi Ticaret ve Servis A.Ş.

UK
SMC Pneumatics (U.K.) Ltd.

ASIA / OCEANIA

AUSTRALIA
SMC Pneumatics (Australia) Pty. Ltd.

CHINA
SMC (China) Co., Ltd.
SMC Pneumatics (Guangzhou) Ltd.

HONG KONG
SMC Pneumatics (Hong kong) Ltd.

INDIA
SMC Pneumatics (India) Pvt. Ltd.

INDONESIA
PT. SMC Pneumatics Indonesia

JAPAN
SMC Corporation

MALAYSIA
SMC Pneumatics (S.E.A.) Sdn. Bhd.

NEW ZEALAND
SMC Pneumatics (N.Z.) Ltd.

PHILIPPINES
Shoketsu SMC Corporation

SINGAPORE
SMC Pneumatics (S.E.A.) Pte. Ltd.

SOUTH KOREA
SMC Pneumatics Korea Co., Ltd.

TAIWAN
SMC Pneumatics (Taiwan) Co., Ltd.

THAILAND
SMC (Thailand) Ltd.

UNITED ARAB EMIRATES
SMC Pneumatics Middle East FZE

VIETNAM
SMC Pneumatics (VN) Co., Ltd

AFRICA

SOUTH AFRICA
SMC Pneumatics (South Africa) Pty Ltd

NORTH, CENTRAL & SOUTH AMERICA

ARGENTINA
SMC Argentina S.A.

BOLIVIA
SMC Pneumatics Bolivia S.R.L.

BRAZIL
SMC Pneumáticos do Brasil Ltda.

CANADA
SMC Pneumatics (Canada) Ltd.

CHILE
SMC Pneumatics (Chile) S.A.

COLOMBIA
SMC Colombia Sucursal de SMC Chile, S.A.

MEXICO
SMC Corporation (Mexico) S.A. de C.V.

PERU
SMC Corporation Peru S.A.C.

USA
SMC Corporation of America

VENEZUELA
SMC Neumatica Venezuela S.A.

U.S. & Canadian Sales Offices

WEST

Austin
Dallas
Los Angeles
Phoenix
Portland
San Jose

EAST

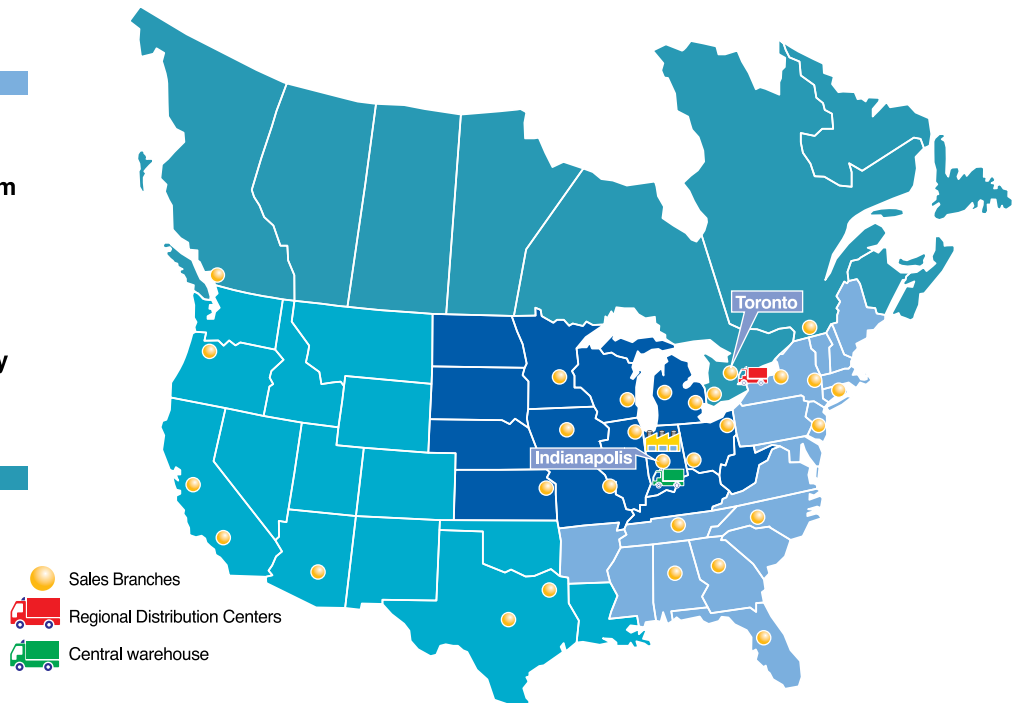
Albany
Atlanta
Birmingham
Boston
Charlotte
Knoxville
Nashville
New Jersey
Rochester
Tampa

CENTRAL

Chicago
Cincinnati
Cleveland
Detroit
Des Moines
Grand Rapids
Indianapolis
Kansas City
Milwaukee
Minneapolis
St. Louis

CANADA

Vancouver
Toronto
Windsor
Montreal



● Sales Branches
 Regional Distribution Centers
 Central warehouse

SMC Corporation of America
10100 SMC Blvd., Noblesville, IN 46060
www.smcusa.com

SMC Pneumatics (Canada) Ltd.
www.smc PneUMATICS.ca

(800) SMC.SMC1 (762-7621)
e-mail: sales@smcusa.com
International inquiries: www.smcworld.com

