

Pressure Switch with Piping Adaptor



Specifications

Fluid	Air
Proof pressure	145 psig (1.0 MPa)
Max. operating pressure	100 psig (0.7 MPa)
Setting range (off)	15~60 psig (0.1 ~ 0.4 MPa)
Differential pressure	Less than 12 psig (0.08 MPa)
Ambient and fluid temperature	40~140° F (5° ~ 60° C)

Characteristics

Type of actuation	1a (N.O.)
Switch capacity	AC2VA • DC2W
Operating voltage (AC,DC)	12V, 24V, 48V, 100V
Max. operating current	AC, DC12V~24V: 50mA AC, DC48V: 40mA AC, DC100V: 20mA
Response time	1.2ms

Model	Port size	A	B	C	D	E	Applicable model
NIS1000E-2N01Y	1/8						NAC2000• NAC2010 • NAC2020 NAC2030• NAC2040 NAW2000
NIS1000E-2N02Y	1/4	1.10 (28)	2.87 (73)	2.44 (62)	.73 (18.5)	1.10 (28)	
NIS1000E-2N03Y	3/8						
NIS1000E-3N02Y	1/4	1.02 (26)	3.15 (80)	2.48 (63)	.65 (16.5)	1.10 (28)	NAC2500• NAC2520 • NAC2530 NAC3000• NAC3010 • NAC3020• NAC3030• NAC3040 NAW3000
NIS1000E-3N03Y	3/8						
NIS1000E-3N04Y	1/2	1.02 (40)	3.15 (80)	2.48 (63)	.65 (17.5)	1.10 (28)	
NIS1000E-4N02Y	1/4					1.14 (29)	NAC4000• NAC4010 • NAC4020 NAC4030• NAC4040 NAW4000
NIS1000E-4N03Y	3/8	1.30 (33)	3.43 (87)	2.60 (66)	.65 (17.5)	1.38 (35)	
NIS1000E-4N04Y	1/2					1.73 (44)	
NIS1000E-4N06Y	3/4	1.97 (50)	3.43 (87)	2.60 (66)	.65 (17.5)	2.13 (54)	

How To Order

NIS1000E - 3 - 03 YL -

Pressure switch with piping adapter

Body size

2	NAC2000
3	NAC2500, NAC3000
4	NAC4000-02 ~ 04

Thread

—	Rc(PT)
N	NPT
F	G(PF)

Option

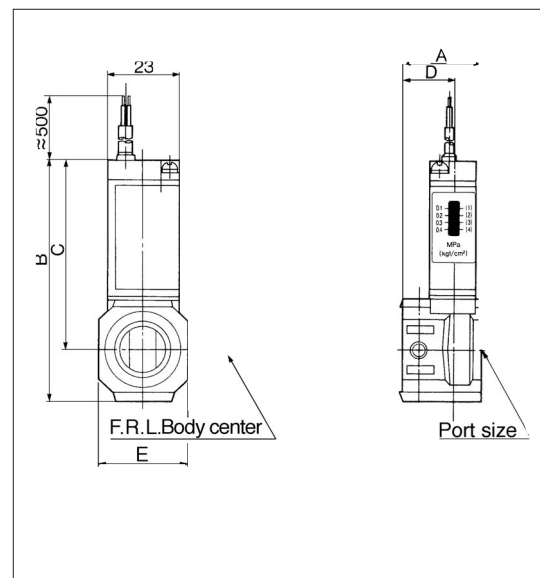
X201	Length of lead wire:3m
X202	Set pressure range 15-85 PSI (0.1 to 0.6Mpa)
X250	Reverse mounting (Left side mounting)

Attachment

—	Without attachment
Y	With attachment
YL	With attachment & L type bracket
YT	With attachment & T type bracket

Piping adaptor port size

01	1/8
02	1/4
03	3/8
04	1/2
06	3/4



Attachments for IS1000

Parts No. applying pressure switch	Y type standard	YL type with L type bracket	YT type with T type bracket
NIS1000E-N01 ~ N03	Y20E	Y20LE	Y20TE
NIS1000E-N02 ~ N04	Y30E	Y30LE	Y30TE
NIS1000E-N02 ~ N06	Y40E	Y40LE	Y40TE