

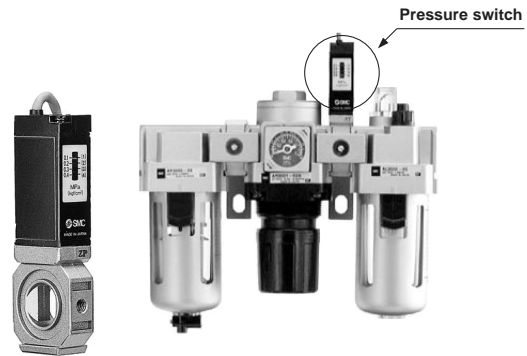
Pressure Switch

Specifications

Fluid	Air
Proof pressure	145 psig (1.0 MPa)
Max. operating pressure	100 psig (0.7 MPa)
Setting range (off)	15~60 psig (0.1 ~ 0.4 MPa)
Differential pressure	Less than 12 psig (0.08 MPa)
Ambient and fluid temperature	40~140° F (5° ~ 60° C)

Characteristics

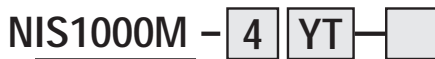
Type of actuation	1a (N.O.)
Switch capacity	AC2VA • DC2W
Operating voltage (AC,DC)	12V, 24V, 48V, 100V
Max. operating current	AC, DC12V~24V: 50mA AC, DC48V: 40mA AC, DC100V: 20mA
Response time	1.2ms



Caution on assembling

The pressure switch can be mounted on both IN and OUT sides on NAF, NAR, NAL, NAFM and NAFL but cannot be mounted in this way on NVHS, NAW, or when the handle of NAR faces upwards.

How To Order



Pressure switch

Body size

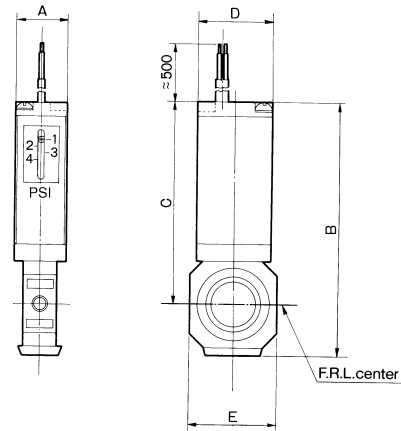
2	NAC2000
3	NAC2500, NAC3000
4	NAC4000-02 to 04
5	NAC4000-N06
6	NAC5000, NAC6000

Option

X201	Length of lead wire:3m
X202	Set pressure range 15~85 PSI (0.1 to 0.6Mpa)

Attachment

—	Without attachment
Y	With attachment
YL	With attachment and L type bracket
YT	With attachment and T type bracket



Attachments for IS1000

Part No. applying to pressure switch	Y type standard	YL type with L type bracket	YT type with T type bracket
NIS1000M-2	Y20M	Y20LM	Y20TM
NIS1000M-3	Y30M	Y30LM	Y30TM
NIS1000M-4	Y40M	Y40LM	Y40TM
NIS1000M-5	Y50M	Y50LM	Y50TM
NIS1000M-6	Y60M	Y60LM	Y60TM

Model	A	B	C	D	E	F	Applicable model
NIS1000M-2Y	.59 (15)	2.89 (73.5)	2.46 (62.6)	.91 (23)	1.10 (28)	.39 (10)	NAC2000• NAC2020• NAC2030
NIS1000M-3Y	.59 (15)	3.23 (82)	2.56 (64.9)	.91 (23)	1.14 (29)	.43 (11)	NAC2500• NAC2520• NAC2530 NAC3000• NAC3020• NAC3030
NIS1000M-4Y	.59 (15)	3.49 (88.7)	2.66 (67.6)	.91 (23)	1.38 (35)	.55 (14)	NAC4000• NAC4020• NAC4030
NIS1000M-5Y	.59 (15)	3.58 (91)	2.68 (68)	.91 (23)	1.73 (44)	.55 (14)	NAC4000-N06• NAC4020-N06 NAC4030-N06
NIS1000M-6Y	.59 (15)	3.94 (100)	2.85 (72.5)	.91 (23)	2.13 (54)	.59 (15)	NAC5000• NAC5500• NAC6000 NAC5020• NAC5520• NAC6020