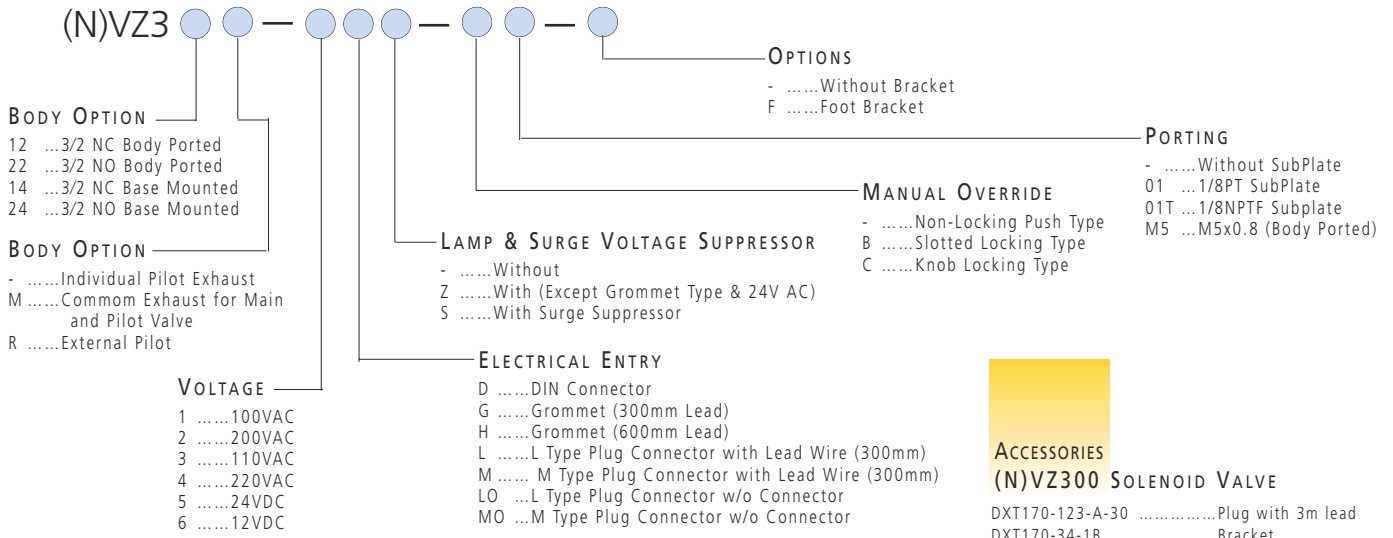


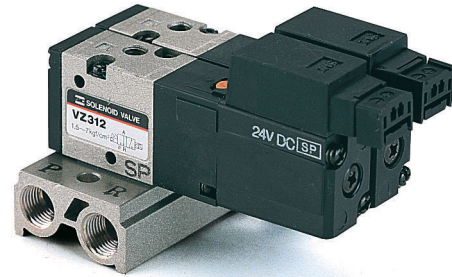
HOW TO ORDER (N)VZ300 SOLENOID VALVE



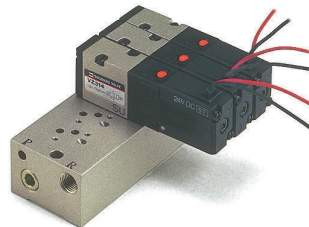
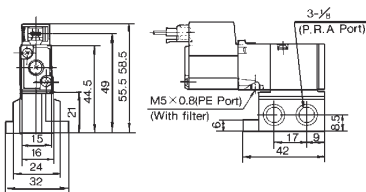
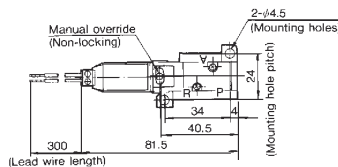
SERIES (N)VZ300 MANIFOLDS

A Single Sub-base and 3 different Manifold Designs.

- (i) Side Entry Single Sub-base for use with the Base Mounted Valve (Type 40).
- (ii) 2-10 Station Type 20 Mmanifold for use with the Body Ported Valve (Type 20).
- (iii) 2-10 Station Type 40 Side Entry Manifold for use with the Base Mounted Valve (Type 40).
- (iv) 2 - 10 Station Type 40 Bottom Entry Manifold for use with the Base Mounted Valve (Type 40).



DIMENSIONS SINGLE SUB-BASE SIDE PORTED M TYPE PLUG CONNECTOR



SEE INSIDE FRONT COVER FOR
DETAILS OF YOUR LOCAL SALES OFFICE



FOR FURTHER TECHNICAL
DETAILS ON THIS
PRODUCT, REQUEST
CATALOG REFERENCE
E120

HOW TO ORDER

MANIFOLD TYPE 20 TOP PORTED

(N)VZ33 — 20 1 —

NUMBER OF STATIONS

02 ...2 stations
to
20 ...20 stations

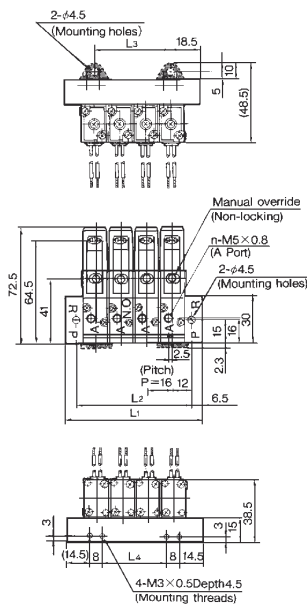
THREAD TYPE

-PT
00T ...NPTF

FOR FURTHER TECHNICAL INFORMATION ON THIS SERIES, REQUEST CAT:E120

DIMENSIONS

MANIFOLD TYPE 20 TOP PORTED



Stations (n)	2	3	4	5	6	7	8	9	10
L1	53	69	85	101	117	133	149	165	181
L2	40	56	72	88	104	120	136	152	168
L3	16	32	48	64	80	96	112	128	144
L4	8	24	40	56	72	88	104	120	136

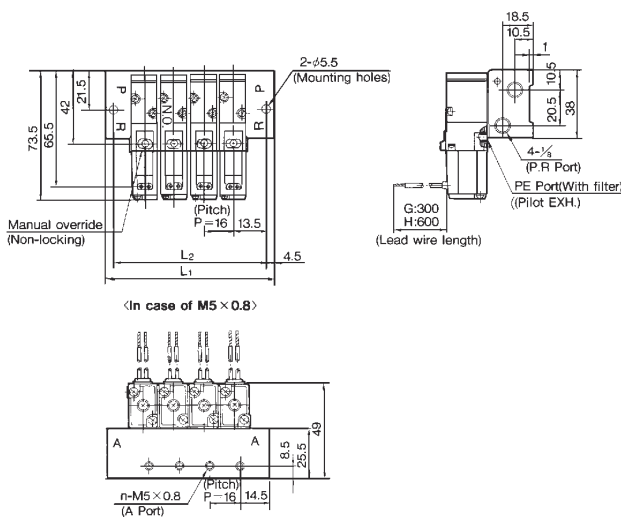
ACCESSORIES

- DXT170-25-1ABlanking Plate Kit
- DXT170-34-1AFoot Mount Kit

FOR FURTHER TECHNICAL INFORMATION ON THIS SERIES, REQUEST CAT:E120

DIMENSIONS

MANIFOLD TYPE 40 SIDE PORTED



Stations (n)	2	3	4	5	6	7	8	9	10	
M5x0.8	L1	52	68	84	100	116	132	148	164	180
	L2	43	59	75	91	107	123	139	155	171

HOW TO ORDER

MANIFOLD TYPE 40 SIDE PORTED

(N)VZ33 — 40 — 1 —

NUMBER OF STATIONS

02 ...2 Stations
to
20 ...20 Stations

SIZE OF A, B PORT

- M5 ...10-32Nom (P, R Port PT)
- M5T...10-32Nom (P, R Port NPTF)
- B3T ...One Touch Fitting 5/32"
- B7T ...One Touch Fitting 1/4"

ACCESSORIES

MANIFOLD TYPE 40 SIDE PORTED TYPE G

- DXT200-8-1ABlanking Plate Kit

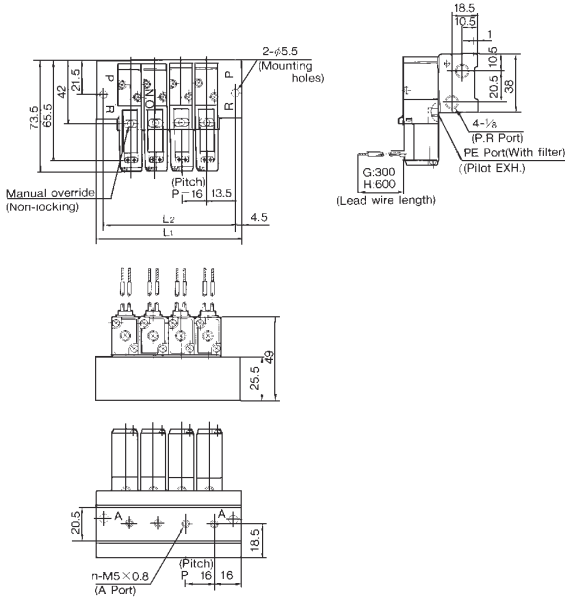
FOR FURTHER TECHNICAL INFORMATION ON THIS SERIES, REQUEST CAT:E120



FOR FURTHER TECHNICAL DETAILS ON THIS PRODUCT, REQUEST CATALOG REFERENCE E120

DIMENSIONS

MANIFOLD TYPE 40 BOTTOM PORTED



Stations (n)	2	3	4	5	6	7	8	9	10	
M5x0.8	L1	52	68	84	100	116	132	148	164	180
	L2	43	59	75	91	107	123	139	155	171

HOW TO ORDER

MANIFOLD TYPE 40 BOTTOM PORTED

(N)VZ300 — 40 — ● 2 — ●

NUMBER OF STATIONS
02 ...2 stations
to
20 ...20 stations

SIZE OF A, B PORT
M5 ...10-32Nom (P, R Port PT)
M5T...10-32Nom (P, R Port NPTF)
01T ...1/8" NPTF

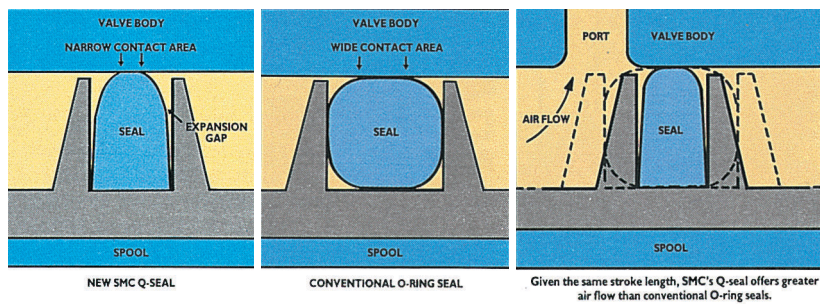
ACCESSORIES

MANIFOLD TYPE 40 SIDE PORTED

DXT200-8-1A Blanking Plate Kit

FOR FURTHER TECHNICAL INFORMATION
ON THIS SERIES, REQUEST CAT:E120

THE Q SEAL



AS PART OF A LONG TERM DEVELOPMENT PROGRAM TO IMPROVE THE PERFORMANCE AND DURABILITY OF PNEUMATIC VALVE SEALS, SMC HAS DEVELOPED A NEW TYPE OF SEAL WHICH OVERCOMES THE PROBLEMS INHERENT WITH TRADITIONAL O-RINGS AND BONDED SEALS - CALLED Q SEAL, IT FEATURES A SPECIAL PROFILE WHICH REDUCES SLIDING RESISTANCE TO A MINIMUM, ENHANCES BOTH LONG TERM RELIABILITY AND AIR FLOW CHARACTERISTICS AND PROVIDES BI-DIRECTIONAL PORT ACCESS.

SEE INSIDE FRONT COVER FOR
DETAILS OF YOUR LOCAL SALES OFFICE



FOR FURTHER TECHNICAL
DETAILS ON THIS
PRODUCT, REQUEST
CATALOG REFERENCE
E120