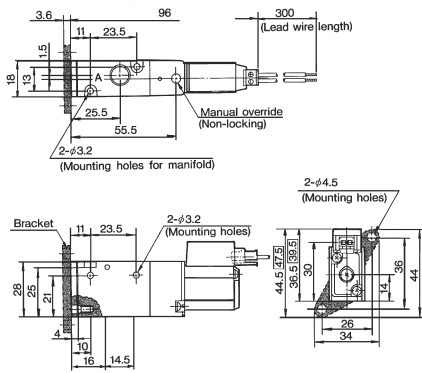


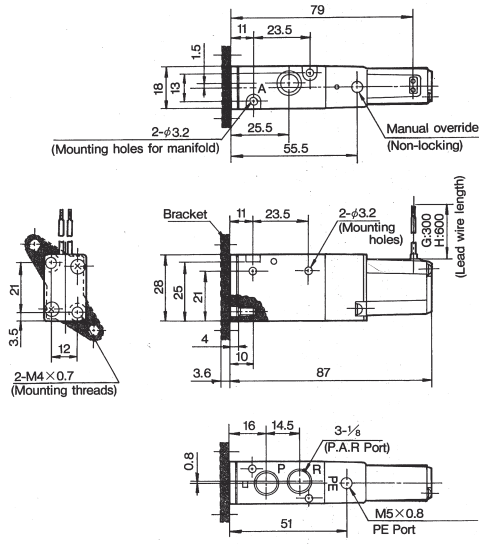
DIMENSIONS

SERIES (N)VZ500 BODY PORTED MN PLUG TYPE



DIMENSIONS

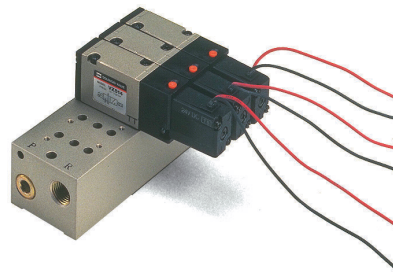
SERIES (N)VZ500 BODY PORTED GROMMET TYPE



## SERIES (N)VZ500 MANIFOLDS

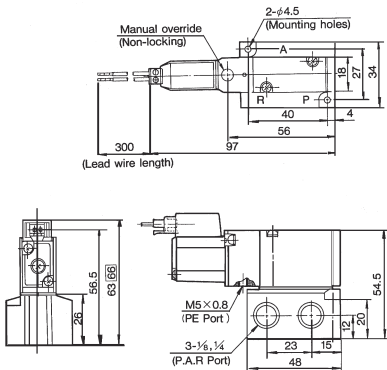
**A** Single Sub Base and 3 Different Manifold Design.

- (i) Side Entry Single Sub-base for use with the Base Mounted Valve (Type 40).
- (ii) 2-10 Station Type 21 Manifold for use with the Body Ported Valve (Type 20).
- (iii) 2-10 Station Type 41 Side Entry Manifold for use with the Base Mounted Valve (Type 40).
- (iv) 2 - 10 Station Type 41 Bottom Entry Manifold for use with the Base Mounted Valve (Type 40).



DIMENSIONS

SINGLE SUB-BASE SIDE PORTED TYPE M



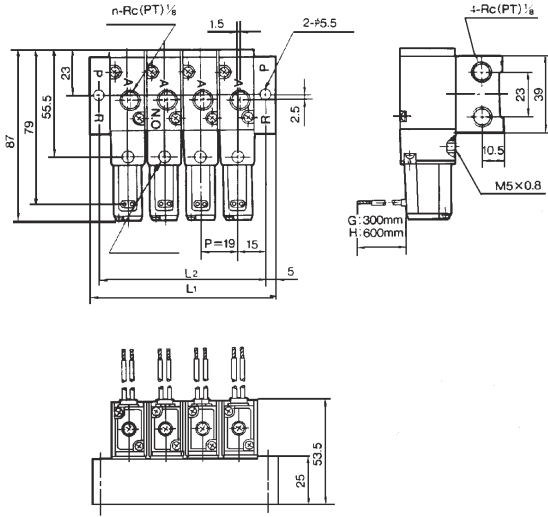
SEE INSIDE FRONT COVER FOR  
DETAILS OF YOUR LOCAL SALES OFFICE



FOR FURTHER TECHNICAL  
DETAILS ON THIS  
PRODUCT, REQUEST  
CATALOG REFERENCE  
E120

**DIMENSIONS**

**MANIFOLD TYPE 20 TOP PORTED GROMMET TYPE**



| Stations (n)   | 2  | 3  | 4  | 5   | 6   | 7   | 8   | 9   | 10  |
|----------------|----|----|----|-----|-----|-----|-----|-----|-----|
| L <sub>1</sub> | 59 | 78 | 97 | 116 | 135 | 154 | 173 | 192 | 211 |
| L <sub>2</sub> | 49 | 68 | 87 | 106 | 125 | 144 | 163 | 182 | 201 |

**How To  
ORDER**

**MANIFOLD TYPE 20 TOP PORTED**

(N)VV3Z5 — 20 — 1 —

NUMBER OF STATIONS  
02 ...2 Stations  
to  
20 ...20 Stations

THREAD TYPE  
- .....PT  
00T ...NPTF

FOR FURTHER TECHNICAL INFORMATION  
ON THIS SERIES, REQUEST CAT:E120

**ACCESSORIES**

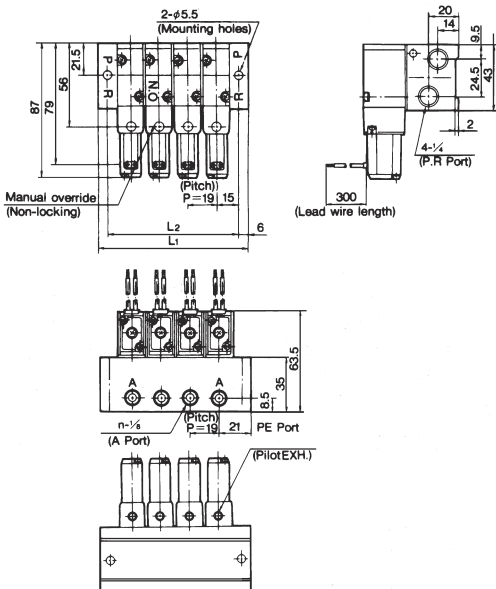
**MANIFOLD TYPE 20 TOP PORTED**

DXT201-15-1A .....Blanking Plate Kit

FOR FURTHER TECHNICAL INFORMATION  
ON THIS SERIES, REQUEST CAT:E120

**DIMENSIONS**

**MANIFOLD TYPE 41 SIDE PORTED GROMMET TYPE**



| Stations (n)   | 2  | 3  | 4  | 5   | 6   | 7   | 8   | 9   | 10  |
|----------------|----|----|----|-----|-----|-----|-----|-----|-----|
| L <sub>1</sub> | 61 | 80 | 99 | 118 | 137 | 156 | 175 | 194 | 213 |
| L <sub>2</sub> | 49 | 68 | 87 | 106 | 125 | 144 | 163 | 182 | 201 |

**How To  
ORDER**

**MANIFOLD TYPE 41 SIDE PORTED**

(N)VV3Z5 — 41 — 1 — 01T

NUMBER OF STATIONS  
02 ...2 stations  
to  
20 ...20 stations

SIZE OF A, B PORT  
01T ...1/8" NPTF  
B7T ...One Touch Fitting 1/4"  
B9T ...One Touch Fitting 5/16"

**ACCESSORIES**

**MANIFOLD TYPE 41 SIDE PORTED**

DXT201-15-1A .....Blanking Plate Pit

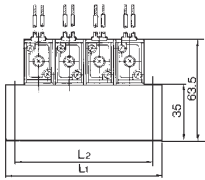
FOR FURTHER TECHNICAL INFORMATION  
ON THIS SERIES, REQUEST CAT:E120



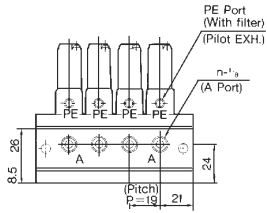
FOR FURTHER TECHNICAL  
DETAILS ON THIS  
PRODUCT, REQUEST  
CATALOG REFERENCE  
E120

## DIMENSIONS

### MANIFOLD TYPE 41 BOTTOM PORTED GROMMET TYPE



FOR ALL OTHER  
DETAILS, REFER TO  
TYPE 41 SIDE PORTED  
MANIFOLD.



| Stations (n)   | 2  | 3  | 4  | 5   | 6   | 7   | 8   | 9   | 10  |
|----------------|----|----|----|-----|-----|-----|-----|-----|-----|
| L <sub>1</sub> | 61 | 80 | 99 | 118 | 137 | 156 | 175 | 194 | 213 |
| L <sub>2</sub> | 49 | 68 | 87 | 106 | 125 | 144 | 163 | 182 | 201 |

## HOW TO ORDER

### MANIFOLD TYPE 41 BOTTOM PORTED

(N)VV3Z5-41-2-01T

NUMBER OF STATIONS

02 ...2 Stations  
to  
20 ...20 Stations

THREAD TYPE

- .....PT  
T .....NPTF

## ACCESSORIES

### MANIFOLD TYPE 41 BOTTOM PORTED

DXT201-15-1A .....Blanking Plate Kit

FOR FURTHER TECHNICAL INFORMATION  
ON THIS SERIES, REQUEST CAT:E120

