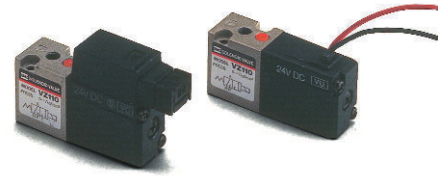


## 3/2 DIRECT ACTING SOLENOID VALVE 10-32Nom PORTED

### TECHNICAL SPECIFICATIONS

- ✓ N/O or N/C Option
- ✓ 10-32Nom Body Ported, possible to Manifold Mount
- ✓ Cv 0.05
- ✓ Optional Lamp and Surge Voltage Suppressor
- ✓ Suitable for Pressure or Vacuum

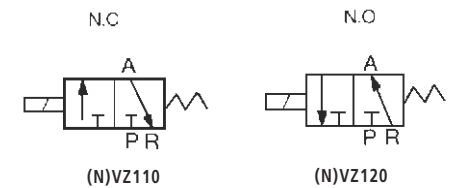
Fluid	Air
Ambient and Fluid Temperature	Max 50°C / 122°F
Response Time	15ms or less
Max Operating Frequency	15c/s
Manual Override	Non-locking type
Lubrication	Not required (Use turbine oil ±1 (ISO VG32) if lubrication is provided)
Enclosure	Dust Proof



### SOLENOID SPECIFICATIONS

Electrical Entry	Grommet (G), Plug connector (M)		
Voltages	AC	240V, 110V, 24V	
	DC	12V, 24V	
Allowable Voltage	-15~+10% of rated voltage		
Coil Insulation	Class E or equivalent (120°C)		
Temperature Rise	45°C or less / 113°F or less		
Power Consumption	DC	1.8W/2.1W (W/LED)	
Apparent Power	AC	Inrush	4.5VA/50Hz, 4.2VA/60Hz
		Holding	3.5VA/50Hz, 3VA/60Hz
Surge Voltage Suppressor	DC: Diode, AC: ZNR		
Indicator Light	DC: LED (Red), AC: Neon lamp		

### SYMBOLS



### ACCESSORIES

#### (N)VZ100 SOLENOID VALVE

- DXT170-123-A-30 ..... Plug with 3m lead
- DXT170-34-1A ..... Foot bracket with screws

### FLOW SPECIFICATIONS

Body Type	Model	Type Of Actuation	Operating Pressure Range kgf/cm <sup>2</sup>	Vacuum Application		Effective Orifice mm <sup>2</sup> (Cv Factor)	Port Size	Weight
				P Port	R Port			
Body Ported	(N)VZ110-**-M5	NC	0 ~ 7MPa 0 ~ 100PSI	22in-Hg 0~85PSI	VAC ~0PSI	P->A 0.6 (0.034) A->R 0.9 (0.05)	10-32Nom (M5x0.8)	0.15g
	(N)VZ110-**-M5	NO	0 ~ 5MPa 0 ~ 70PSI	22in-Hg 0~85PSI	VAC ~55PSI	R->A 0.6 (0.034) A->P 0.6 (0.034)		

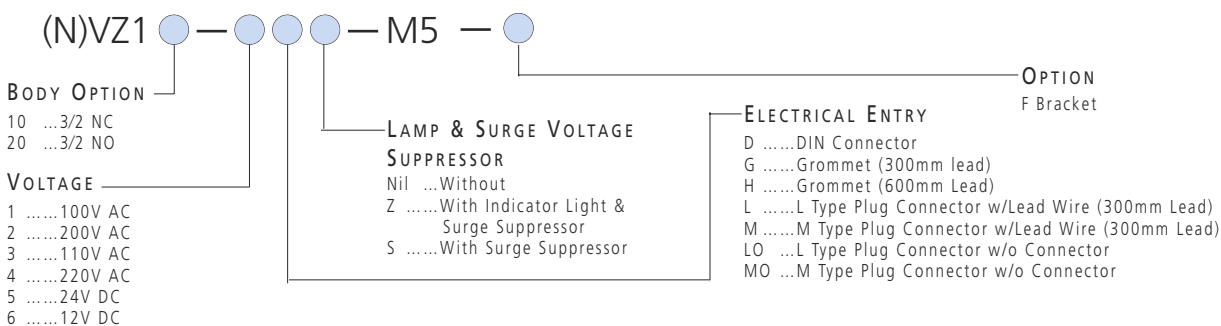
Note: In case of (N)VZ120 Supply Air to 'R' Port. "P" Port will be the Exhaust Port.



Observe Operating Pressure Ranges - see Technical Specifications for details

### HOW TO ORDER

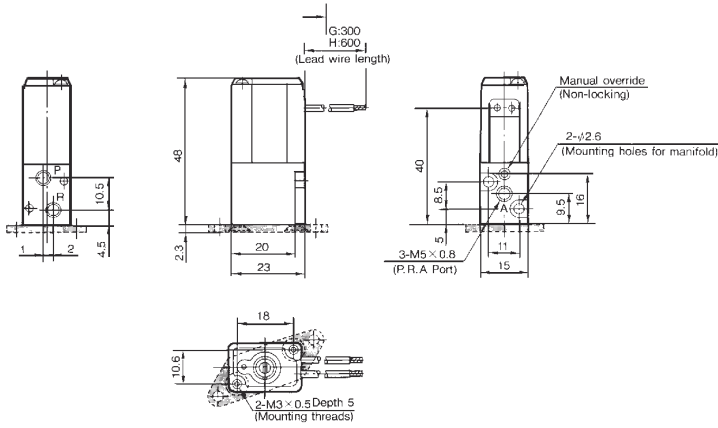
#### (N)VZ100 SOLENOID VALVE



DIMENSIONS  
SEE NEXT PAGE

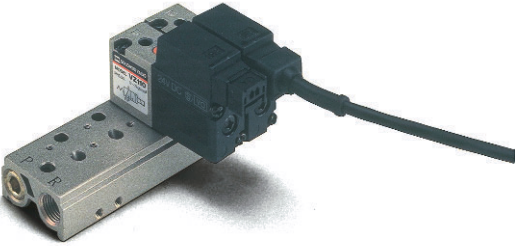
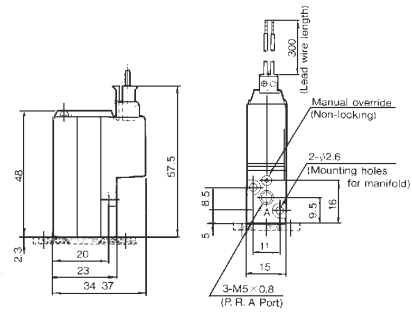
### DIMENSIONS

#### (N)VZ100 BODY PORTED GROMMET TYPE



### DIMENSIONS

#### (N)VZ100 BODY PORTED MN PLUG TYPE



## SERIES (N)VZ100 MANIFOLDS

2 – 9 station manifold with a common supply and exhaust.

### How To ORDER

MANIFOLD TYPE 20 TOP PORTED

(N)VZ4Z1—20—●1●—●

STATIONS  
 02 ...2 Stations  
 to  
 20 ...20 Stations

THREAD TYPE  
 - .....PT  
 00T ...NPTF

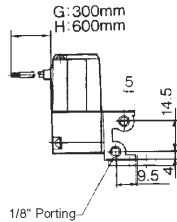
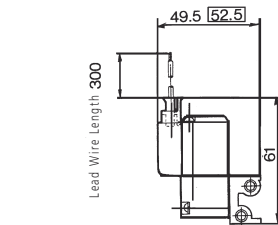
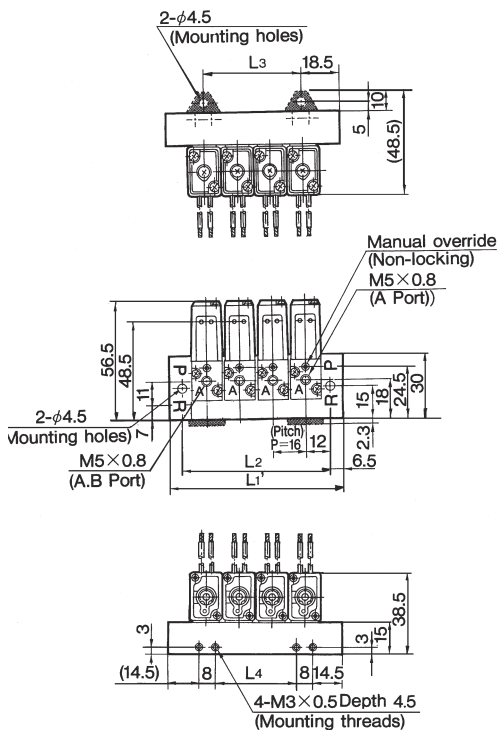
OPTION  
 F .....Bracket

### DIMENSIONS

#### MANIFOLD TYPE 20 TOP PORTED M PLUG TYPE

### DIMENSIONS

#### MANIFOLD TYPE 20 TOP PORTED GROMMET TYPE



### ACCESSORIES

#### MANIFOLD TYPE 20 TOP PORTED

DXT170-25-1A .....Blanking Plate Assembly

Stations (n)	2	3	4	5	6	7	8	9	10
L1	53	69	85	101	117	133	149	165	181
L2	40	56	72	88	104	120	136	152	168
L3	16	32	48	64	80	96	112	128	144
L4	8	24	40	56	72	88	104	120	136

SEE INSIDE FRONT COVER FOR  
DETAILS OF YOUR LOCAL SALES OFFICE



FOR FURTHER TECHNICAL  
DETAILS ON THIS  
PRODUCT REQUEST  
CATALOG REFERENCE  
E120