

3/2 PILOT OPERATED SOLENOID / SPRING VALVE

- ✓ N/O or N/C Option
- ✓ 1/8 Body Ported, Sub Base or Manifold Mounted (1 to 10 Stations)
- ✓ Cv 0.5
- ✓ Optional Lamp and Surge Voltage Suppressor
- ⚠ Solenoid Coils are integral and must not be removed
- ⚠ These valves are supplied without leads which must be ordered separately (see Accessories Section)

TECHNICAL SPECIFICATIONS

Fluid	Air
Operating Pressure Range	20 ~ 100PSI (1.5-7kgf/cm ²)
Ambient and Fluid Temperature	Max 50°C / 122°F
Response Time	20ms or less
Max Operating Frequency	50 Cycles per Second
Manual Override	Non-Locking Push Type
Pilot Exhaust	Individual, Common
Lubrication	Not Required; If Lubrication is provided, use SMC Lubricant
Enclosure	Dust Proof

Model	Type of Actuation	Effective Orifice mm ² (Cv Factor)
Body Ported Type	(N)VZ512	NC
	(N)VZ522	NO
Base Mounted Type (with Subplate)	(N)VZ514	NC
	(N)VZ524	NO

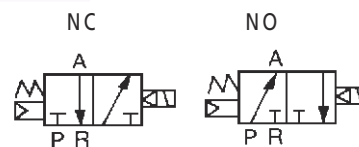
SOLENOID SPECIFICATIONS

Electrical Entry	Grommet (G), Plug Connector (M)	
Voltages	AC	240Hz, 110V50/60Hz, 24V50/60Hz
	DC	12V, 24V
Allowable Voltage	-15~+10% of rated voltage	
Coil Insulation	Class E or equivalent (120°C)	
Temperature Rise	45°C or less / 115°F or less	
Power Consumption DC	1.8W/2.1W (W/LED)	
Apparent Power AC	Inrush	4.5VA/50Hz, 4.2VA/60Hz
	Holding	3.5VA/50Hz, 3VA/60Hz
Surge Voltage Suppressor	DC: Diode, AC: ZNR	
Indicator Light	DC: LED (Red), AC: Neon lamp	



Observe operating pressure ranges - see technical specifications for details

SYMBOLS



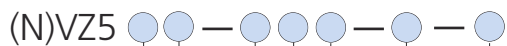
ACCESSORIES

(N)VZ500 SOLENOID VALVE

- DXT170-123-A-30 Plug with 3m lead
- DXT201-19-1A Bracket

HOW TO ORDER

(N)VZ500 SOLENOID VALVE



BODY OPTION

- 12 ...3/2 NC Body Ported
- 22 ...3/2 NO Body Ported
- 14 ...3/2 NC Base Mounted
- 24 ...3/2 NO Base Mounted

BODY OPTION

-Individual Pilot Exhaust
- MCommon Exhaust for Main and Pilot Valve
- RExternal Pilot

VOLTAGE

- 1100V AC
- 3110V AC
- 4220V AC
- 524V DC
- 612V DC

ELECTRICAL ENTRY

- DDIN Connector
- GGrommet (300mm lead)
- HGrommet (600mm Lead)
- LL Type Plug Connector with Lead Wire (300mm)
- M M Type Plug Connector with Lead Wire (300mm)
- LOL Type Plug Connector w/o Connector
- MOM Type Plug Connector w/o Connector

PORTING

-Without Sub Plate
- 01T ...1/8" Sub Plate
- 02T ...1/4" Sub Plate
- 01T ...1/8 (Body Ported)

OPTIONS

-Without Bracket
- FFoot Bracket

LAMP & SURGE VOLTAGE SUPPRESSOR

-Without
- ZWith (Except Grommet Type & 24V AC)
- SWith Surge Suppressor

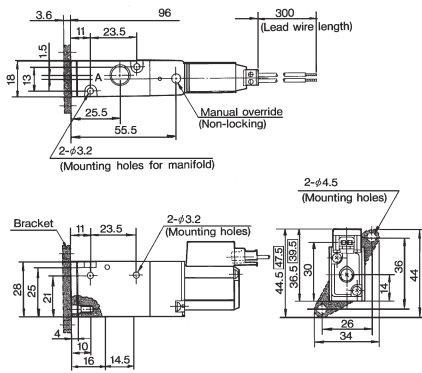
DIMENSIONS
SEE NEXT PAGE



FOR FURTHER TECHNICAL DETAILS ON THIS PRODUCT, REQUEST CATALOG REFERENCE E120

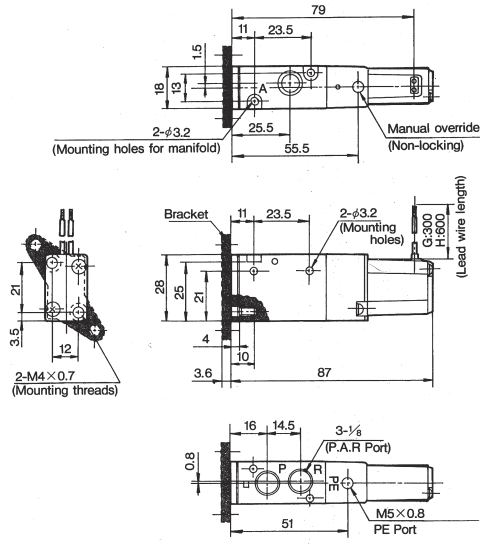
DIMENSIONS

SERIES (N)VZ500 BODY PORTED MN PLUG TYPE



DIMENSIONS

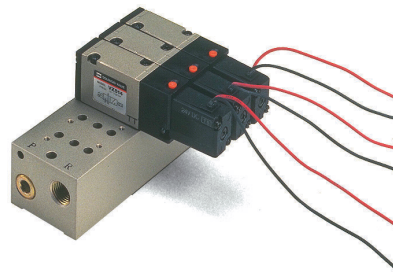
SERIES (N)VZ500 BODY PORTED GROMMET TYPE



SERIES (N)VZ500 MANIFOLDS

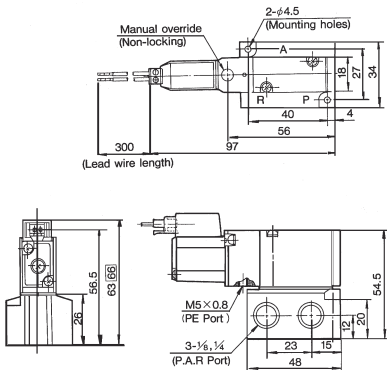
A Single Sub Base and 3 Different Manifold Design.

- (i) Side Entry Single Sub-base for use with the Base Mounted Valve (Type 40).
- (ii) 2-10 Station Type 21 Manifold for use with the Body Ported Valve (Type 20).
- (iii) 2-10 Station Type 41 Side Entry Manifold for use with the Base Mounted Valve (Type 40).
- (iv) 2 - 10 Station Type 41 Bottom Entry Manifold for use with the Base Mounted Valve (Type 40).



DIMENSIONS

SINGLE SUB-BASE SIDE PORTED TYPE M



SEE INSIDE FRONT COVER FOR
DETAILS OF YOUR LOCAL SALES OFFICE



FOR FURTHER TECHNICAL
DETAILS ON THIS
PRODUCT, REQUEST
CATALOG REFERENCE
E120