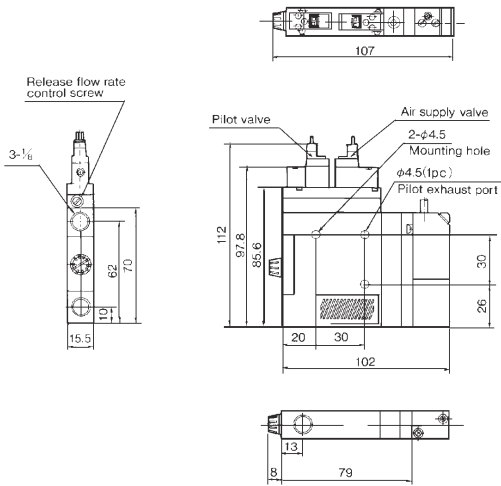


## DIMENSIONS WITH VALVE AND VACUUM SWITCH



## HOW TO ORDER NZM VACUUM EJECTOR WITH VALVES AND SWITCH

(N)ZM ● ● ● H-K5LZ — ●

**NOZZLE DIAMETER**  
 05 ...0.5mm  
 07 ...0.7mm  
 10 ...1.0mm  
 13 ...1.3mm

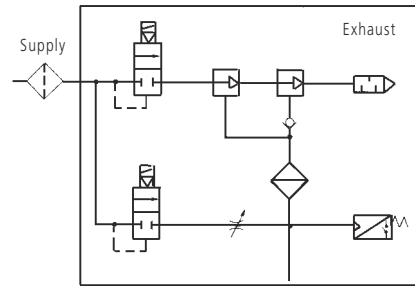
**VOLTAGE**  
 5 .....24VDC  
 6 .....12VDC

**VACUUM SWITCH**  
 Nil ...Without  
 E15L Solid State (NPN)  
 E55L Solid State (PNP)  
 M21L Reed  
 M15L Non-Contact

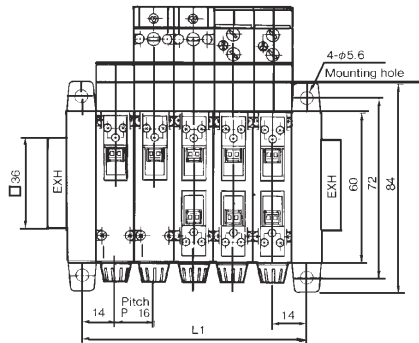
**PORT THREAD**  
 Nil ...PT\* Remove (N) when ordering  
 T .....NPTF

**TYPE**  
 1 .....Body Ported  
 3 .....Manifold Type - Common SUP  
 5 .....Manifold Type - Individual SUP

## SYSTEM CIRCUIT

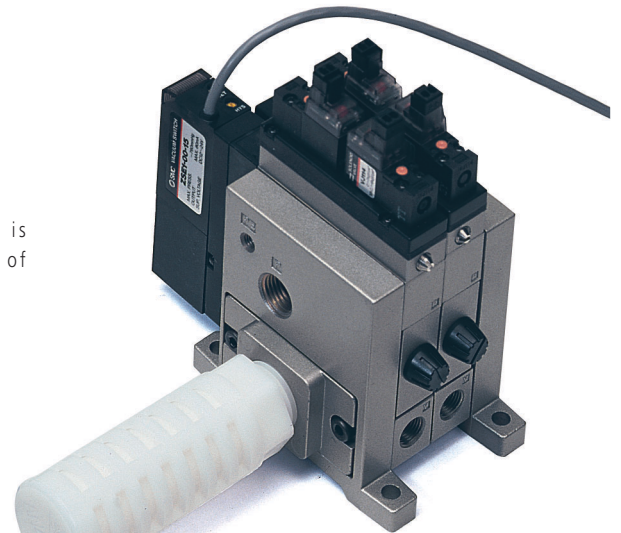


## DIMENSIONS NZM VACUUM EJECTOR MANIFOLD



## SERIES NZM VACUUM EJECTOR MANIFOLD

- ✓ 1 - 10 Stations
- ✓ Common supply and exhaust
- ✓ Maintenance and adjustment is possible without disassembly of the manifold



## HOW TO ORDER NZM VACUUM EJECTOR MANIFOLD

(N)ZZM ● — ● ● B

**NUMBER OF STATIONS**  
 01 ... 1 Station  
 02 ... 2 Stations  
 to  
 10 ... 10 Stations

**EXHAUST PORT**  
 04 ... 1/2  
 06 ... 3/4

**PORT THREAD**  
 Nil ...PT\* Remove (N) when ordering  
 T .....NPTF

**EXHAUST ADAPTOR LOCATION**  
 B .....Both Ends

Fitted with an Optional Silencer Series NAN: see section Air Preparation Accessories

n	1	2	3	4	5	6	7	8	9	10
L1	28	44	60	76	92	108	124	140	156	172
L2	40	56	72	88	104	120	136	152	168	184
L3	50	72	88	104	120	136	168	184	200	

