



Magnet Gripper for Collaborative Robots

Compliant with the TM Series
OMRON Corporation
collaborative robot and the TM Series
TECHMAN ROBOT Inc.
collaborative robot

Plug and Play
configuration for immediate use

TMComponent Easy programming

TMPlug&Play
CERTIFIED



MHM-X7400A-TM



More information
can be viewed here.

P-E20-32

Plug and Play

Magnet Gripper for Collaborative Robots

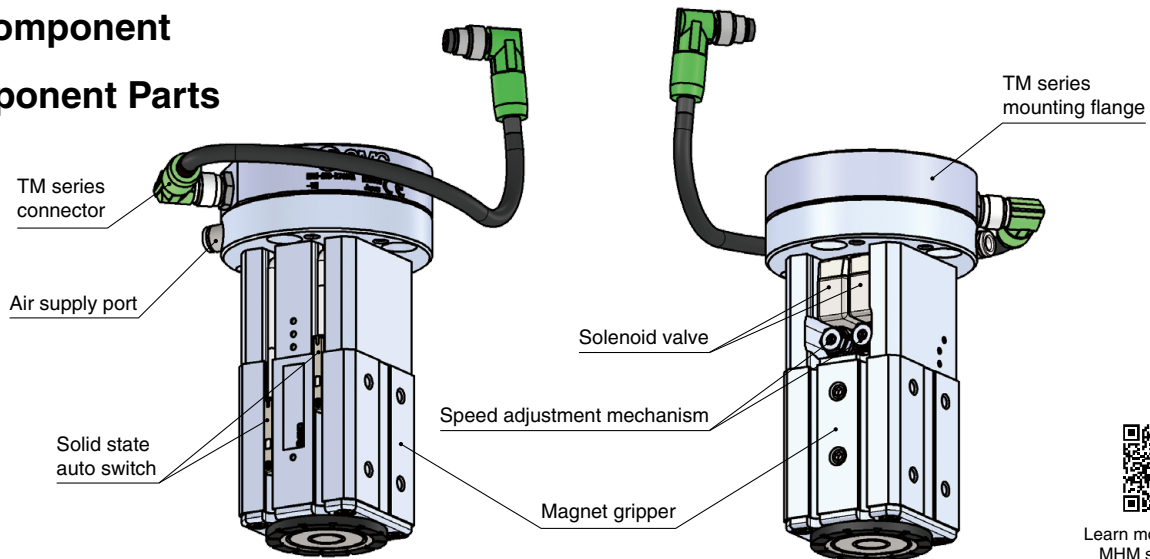
OMRON Corporation and TECHMAN ROBOT Inc.

TM5, TM12, and TM14 compliant



- Attracts and holds heavy objects with a magnet
- Supports workpieces with holes and uneven surfaces
- Compact with high holding force
 - | Holding force: Max. **200 N** (ø25, Workpiece thickness 6 mm)
- Continues to hold workpieces even when the air is shut off
- Operate by simply connecting 1 air supply tube and an electrical wiring M8 connector.
- Integrated solenoid valve, auto switch, and piston speed adjustment mechanism

- TMComponent
- Component Parts



Learn more about the MHM series here.

How to Order



MHM-25D-X7400A-TM

Specifications

Fluid	Air	
Action	Double acting	
Operating pressure [MPa]	0.2 to 0.6	
Proof pressure [MPa]	0.9	
Ambient and fluid temperatures [°C]	-10 to 50 (No freezing)	
Holding force [N]	Workpiece thickness: 2 mm	160
	Workpiece thickness: 6 mm	200
Residual holding force [N]	0.3 or less	
Lubrication	Non-lube	
Weight [g]	590	
Standards	ISO 9409-1-50-4-M6	
Auto switch model	D-M9N	
Connector type	M8 8-pin connector (Plug)	

■ **Included parts:** Mounting bolt, Positioning pin, Piping tube (ø4 x 2 m), Piping fittings (1 type)

Characteristics



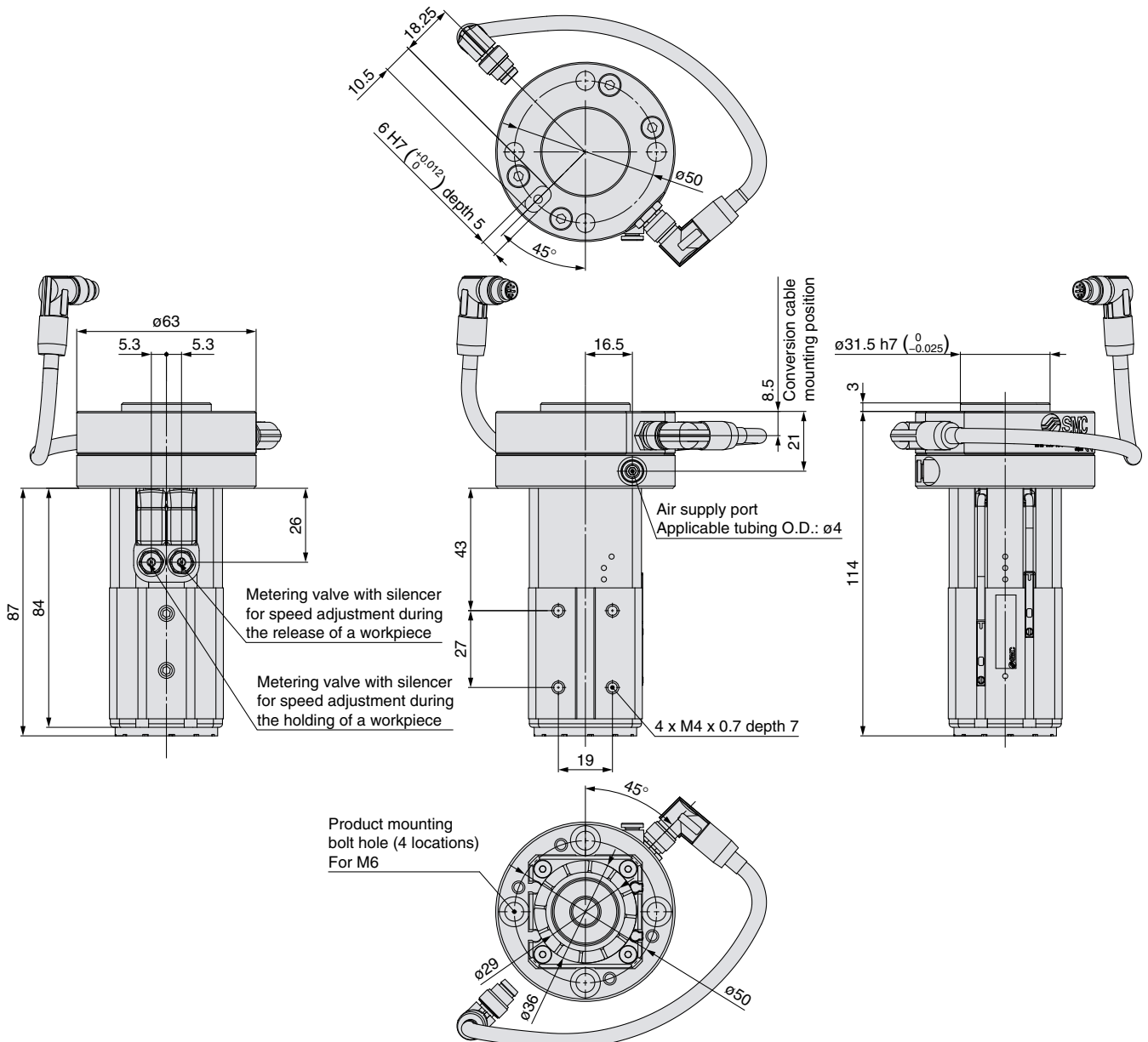
Holding force

The holding force graph shows the theoretical value for low-carbon steel plates. Holding forces vary depending on the material and shape of the workpiece. Please perform a holding test while referring to the value selected based on the graph.

MHM-25



Dimensions

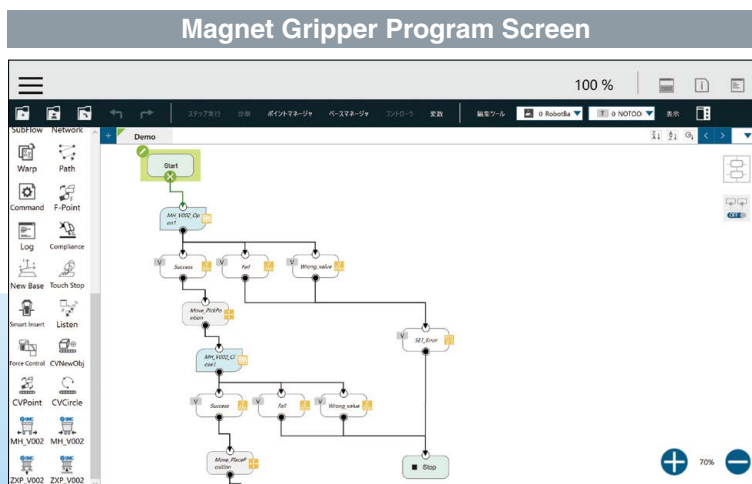
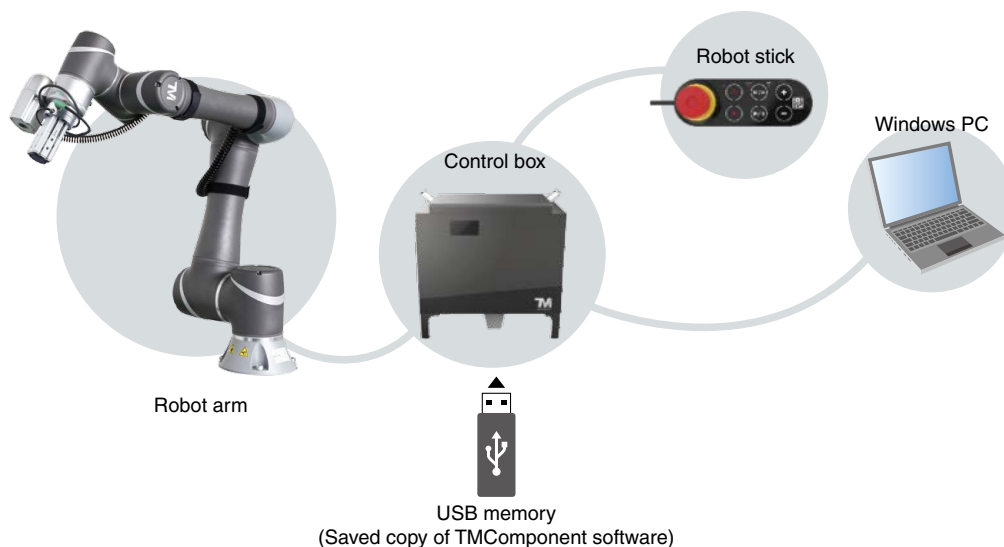




Easy programming

Using the certified software TMComponent of OMRON Corporation and TECHMAN ROBOT Inc., various operations and sensor signals can be easily programmed by using a control box equipped with the dedicated software tool “TMflow” or by using graphical flowcharts on a Windows computer. You can easily install the software by inserting a USB with the TMComponent software package into a control box or Windows computer.

* Please download the TMComponent software package from the SMC website, and save it to a USB memory.



⚠ Safety Instructions Be sure to read the “Handling Precautions for SMC Products” (M-E03-3) and “Operation Manual” before use.

SMC Corporation

Akihabara UDX 15F,
4-14-1, Sotokanda, Chiyoda-ku, Tokyo 101-0021, JAPAN
Phone: 03-5207-8249 Fax: 03-5298-5362
<https://www.smcworld.com>
© 2021 SMC Corporation All Rights Reserved

Specifications are subject to change without prior notice
and any obligation on the part of the manufacturer.