

## How to Order



**Remote Type Display Unit**

**PFA3 0 0 - A -**

**Flow rate range**

0	10, 50 /min
1	100, 200, 500 /min

**Mounting**

A	Panel mounting
B	DIN rail, wall mounting

**Unit specification**

Nil	With unit switching function
M	Fixed SI unit (Note)

Note) Fixed units:  
Real-time flow rate: /min  
Accumulated flow: /

**Output specification**

Nil	Output specification	Applicable models
0	NPN open collector 2 outputs	PFA30□, PFA31□
1	PNP open collector 2 outputs	
2	NPN open collector 1 output + Analog output (1 to 5V)	PFA31□
3	PNP open collector 1 output + Analog output (1 to 5V)	

\* PFA302 and 303 combinations are not available.

## Specifications

Model	PFA300	PFA301	PFA310	PFA311	PFA312	PFA313
Flow rate measurement range	1 to 10, 5 to 50 /min		10 to 100 /min, 20 to 200 /min 50 to 500 /min			
Minimum setting unit	1% of maximum flow rate					
Note 2) Display units	Real-time flow rate	/min, CFM x 10 <sup>-2</sup>		/min, CFM x 10 <sup>-1</sup>		
	Accumulated flow	/, ft <sup>3</sup> x 10 <sup>-1</sup>				
Accumulated flow range	0 to 999999 /					
Operating temperature range	0° to 50°C (with no condensation)					
Linearity Note 3)	±5% F.S. or less					
Repeatability	±1% F.S. or less Note 3)			±1% F.S. or less		
Temperature characteristics	±1% F.S. or less (15° to 35°C) ±2% F.S. or less (0° to 50°C)					
Note 4) Output Specifications	Switch output	NPN open collector	Maximum load current: 80mA Maximum applied voltage: 30V Internal voltage drop: 1V or less (with load current of 80mA)			
		PNP open collector	Maximum load current: 80mA Internal voltage drop: 1.5V or less (with load current of 80mA)			
	Analog output	—				Output voltage: 1 to 5V Load impedance: 100kΩ or more
Indicator lights	Lights up when output is ON OUT1: Green; OUT2: Red				Lights up when output is ON OUT1: Green; OUT2: None	
Response time	1 sec. or less					
Hysteresis	Hysteresis mode: Variable (can be set from 0), Window comparator mode: Fixed (3 digits) Note 5)					
Power supply voltage	12 to 24VDC (ripple ±10% or less)					
Current consumption	50mA or less			60mA or less		
Enclosure	IP40					
Weight	45g					

Note 1) The flow rate measurement range can be modified depending on the setting.

Note 2) For digital flow switch with unit switching function. (Fixed SI unit [ /min or /] will be set for switch types without the unit switching function.)

Note 3) System accuracy when combined with sensor unit.

Note 4) The output functions operate only for the real-time flow rate display, and do not operate for the accumulated flow display.

Note 5) Window comparator mode — Since hysteresis will reach 3 digits, keep P1 and P2 apart by 7 digits or more. The minimum setting unit is 1 digit. (Refer to the table above.)

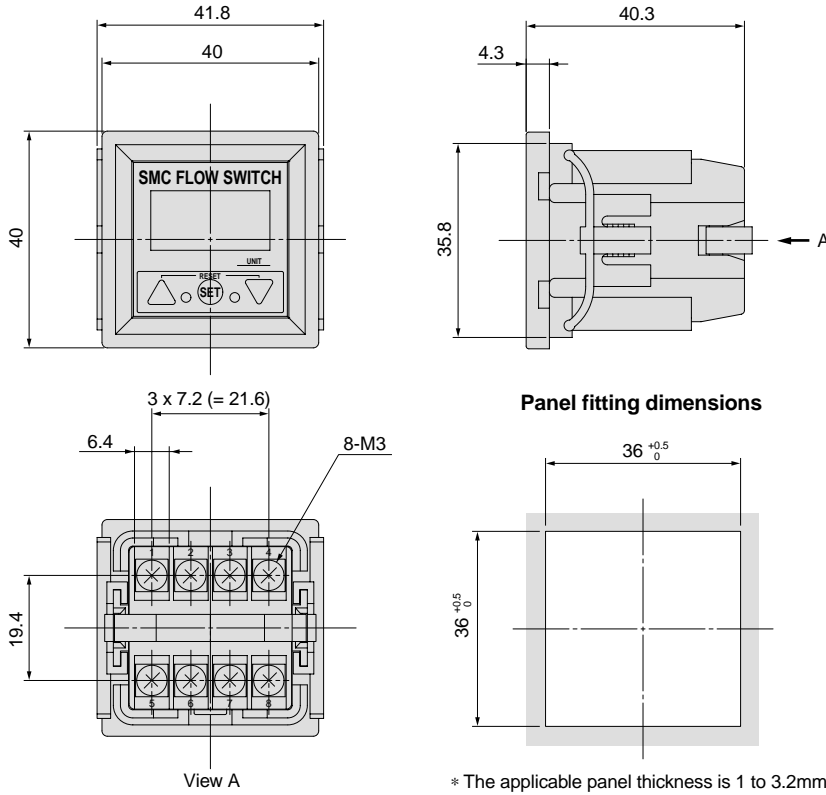
\* Flow rate units measured under the following conditions: 0°C and 101.3kPa.

# Series PFA

## Dimensions: Remote Type Display Unit for Air

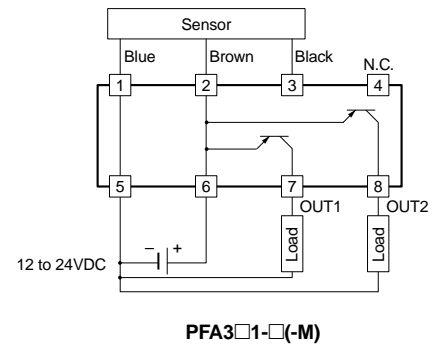
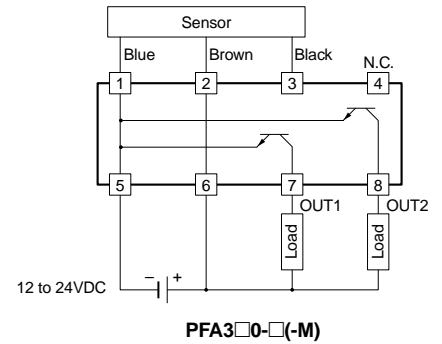
### PFA3□□-A

Panel mounting type



### Internal circuits and wiring examples

① to ⑧ are terminal numbers.



### PFA3□□-B

DIN rail type

