

△ Contact our sales office regarding a delivery date or price since this is a special model.

**SMC** P.G. Information (Specialized Product)

SP145X-006E  
P SS

# Flow sensor

## PFMV505-1-X502



SMC Corporation  
4-14-1, SOTO-KANDA  
CHIYODA-KU  
Tokyo, 101-0021, JAPAN  
URL: <http://www.smcworld.com>

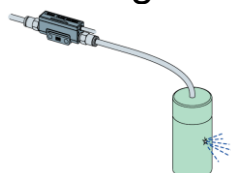
### ■ Features

- Flow range: 0 to 0.1 L/min
- Compatible with voltage monitor, PFMV3 (displays voltage only)



### ■ Application

- Easily detects leakage rate



### ■ Specifications

#### Product Specifications

Applicable fluid	Dry air, N <sub>2</sub> (Air quality grade is JIS B 8392-1 1.1.2 to 1.6.2: 2003, ISO 8573-1 1.1.2 to 1.6.2)
Rated flow range <sup>Note1)</sup> Flow rate range	0 to 0.1 L/min
Repeatability	±3% F.S. <sup>Note2)</sup>
Pressure characteristics (0kPa <sup>Note3)</sup> )	±3% F.S. (0 to 300 kPa) ±7% F.S. (-70 to 0 kPa)
Rated pressure range <sup>Note4)</sup>	-70 kPa to 300 kPa
Proof pressure	500 kPa
Analog output (Non-linear output)	Voltage output: 1 to 5 V, Output impedance: Approx. 1 kΩ
Response time	5 ms or less (90% response)
Power supply voltage	DC12 to 24 V ±10%, Ripple (p-p) 10% or less
Current consumption	It should be 16 mA or less
Enclosure	IP40
Mounting	Horizontal <sup>Note6)</sup>
fluid temperature	0 to 50 °C (No freezing or condensation)
Wetted material	PPS, Si, Au, SUS316, C3604 (electroless nickel plating)
Lead wire	Heavy-duty vinyl cable, 3 cores ø2.6, 0.15mm <sup>2</sup> , 2m
Weight	10 g (without lead wire)

Note: 1. Volume flow converted value under standard conditions: 20 degrees °C, 101.3kPa, 65%R.H.

2. The unit % F.S. is based on the full scale of analog 4V (1-5V)

3. 0 kPa indicates the atmospheric release

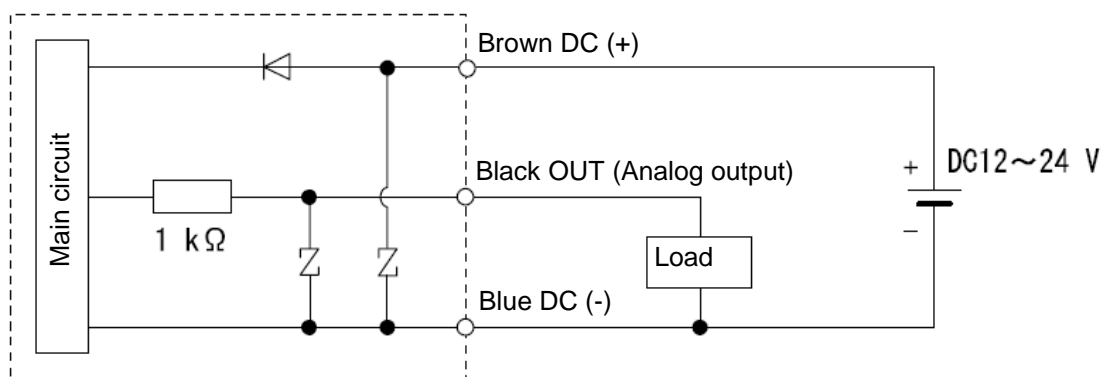
4. Pressure range that satisfies the product specifications

5. Caution: If pressure is rapidly supplied to inlet side, this could cause an overflow in the piping and damage the product.

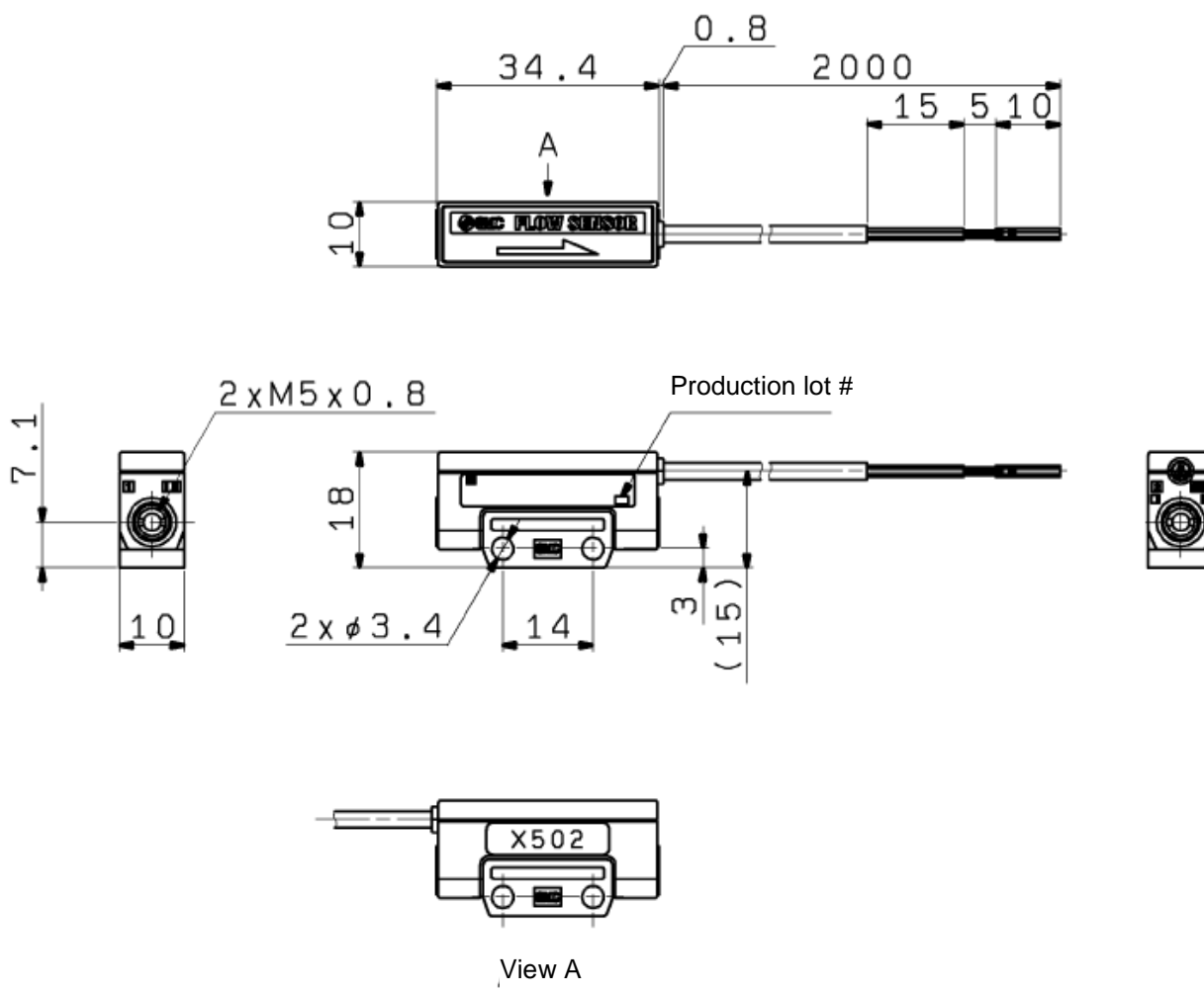
6. Please use this special product for horizontal mounting (vertical mounting is not guaranteed)

7. For details, please refer to the Operation Manual (PF\*\*-OMK0003) for Standard products (PFMV5 series)

## Circuit diagram



## ■ Dimensions (mm)



**⚠ Caution:** To ensure the safest possible operation of this product, please be sure to thoroughly read the "Safety Instructions" in our "Best Pneumatics" catalog before use.